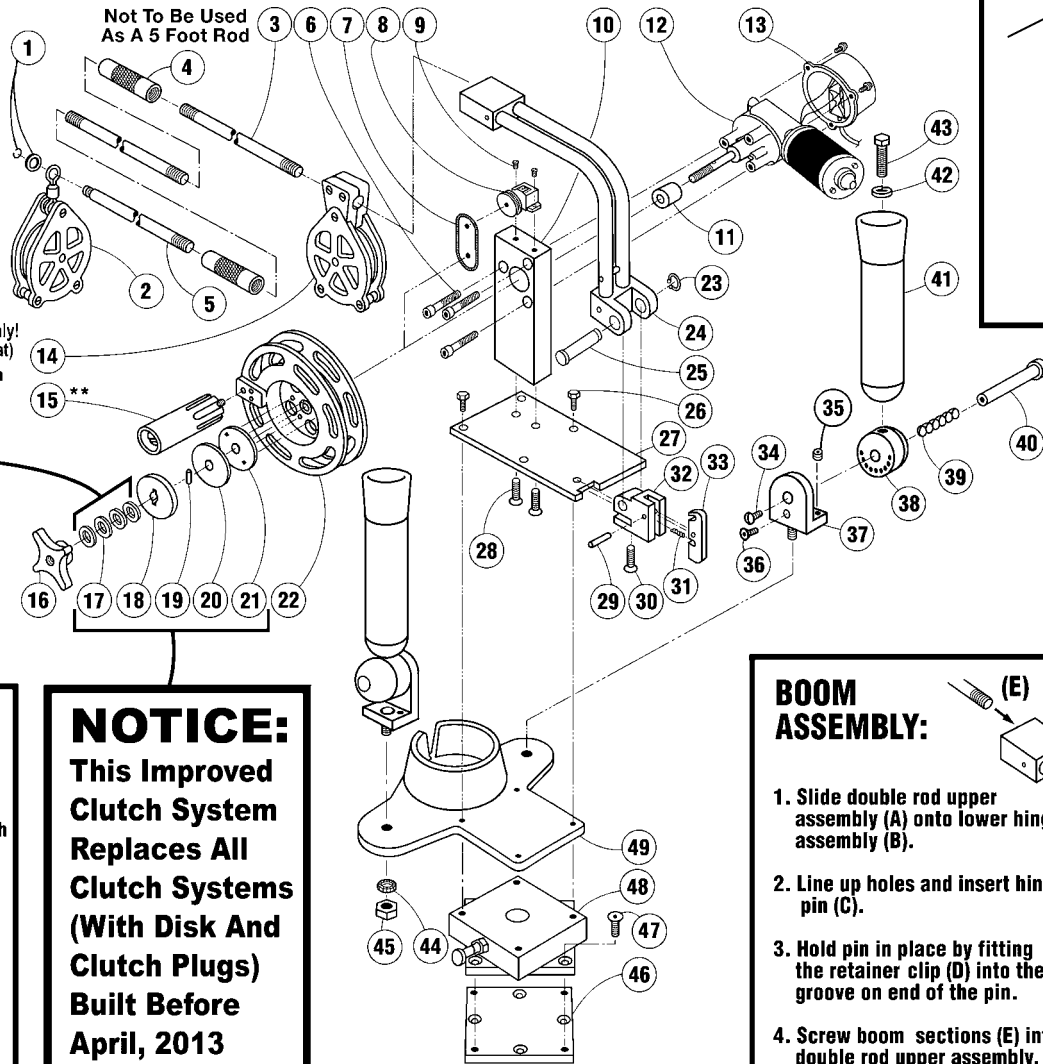


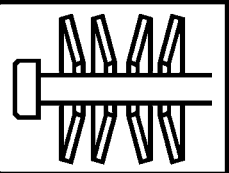


Captain's Pak[®] Electric Downrigger

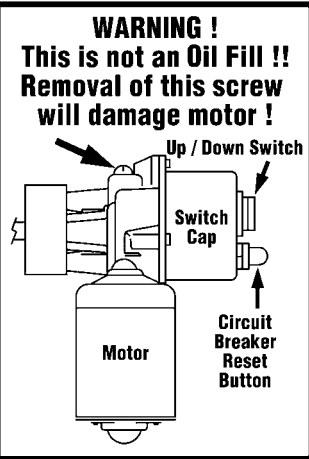


Not To Be Used
As A 5 Foot Rod

**Handle Included For Emergence Use Only!
(Keep At Least One Handle On Your Boat)
**Note: Never use Lock-Tite[®] on
the handle bolt or reel.**

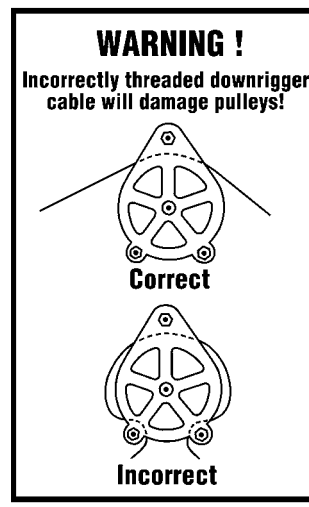


Correct Arrangement
Of Belleville Washers



WARNING !
This is not an Oil Fill !!
Removal of this screw
will damage motor !

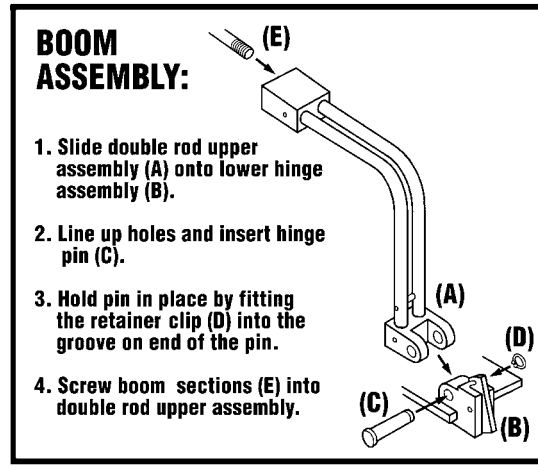
NOTICE:
This Improved
Clutch System
Replaces All
Clutch Systems
(With Disk And
Clutch Plugs)
Built Before
April, 2013



WARNING !
Incorrectly threaded downrigger
cable will damage pulleys!

Correct

Incorrect



**BOOM
ASSEMBLY:**

1. Slide double rod upper assembly (A) onto lower hinge assembly (B).
2. Line up holes and insert hinge pin (C).
3. Hold pin in place by fitting the retainer clip (D) into the groove on end of the pin.
4. Screw boom sections (E) into double rod upper assembly.

Parts List ED02000L

Detail No.	Description	Qty.	Order By Part No.	Qty. In Kit (KT)
1	Tip Retainer Ring & Aluminum Tip Retainer	1 ea.	KT51043	1 per kit
2	5 Spoke Tip Assembly	1	KT3049	1 per kit
3	12 in. Rods	2	51048	
4	Rod Collars	2	51044	
5	18 in. End Rod	1	51125	
6	1/4-28 x 1-1/2 in. SH Cap Screws	3	2007	
7	Large Counter Spring	1	2283	
8	L.H. Counter w/ Med. Wheel	1	FC600JR86	
9	Counter Screws	2	2014	
10	Jr. Upright	1	51014	
11	Hardened Spacer	1	51059	
12	Motor Assembly	1	KT2205	1 per kit
13	Switch Box Assembly	1	51145ASM	
14	Line Guide	1	BJ3049SRG	
15	Handle w/ Bolt**	1	KTHA101	1 per kit
16	Jr. Clutch Knob	1	KT51153	2 per kit
17	Jr. Belleville Washers	4	KT2232	4 per kit
18	Outer Clutch Disk	1	KT51094	1 per kit
19	Shaft Dowel Pin	1	2163	
20	Graphite Pad	1	2308	
21	Inner Clutch Disk	1	51098	
22	Reel	1	KT51184	1 per kit
23	Hinge Pin Retainer Clip	1	2176	
24	Double Rod Hinge Assembly	1	51051ASY	
25	Hinge Pin	1	54008	
26	1/4-20 x 1-1/8 in. SS Bolts	4	2016	
27	TP Base Plate	1	51007	
28	1/4-20 x 3/4 in. Flat Head Screws	2	2009	
29	Hinge Roll Pin	1	2171	
30	5/16-18 x 1 in. Flat Head Screw	1	2003	
31	Hinge Spring	1	2251	
32	Lower Hinge Assembly	1	51180	
33	TP Stork Latch	1	51071	
34	1/4-20 x 3/8 in. Phillips Truss Hd. Sc.	2	2158	
35	1/4-20 Set Screws	2	2261	
36	1/4-20 x 3/4 in. Fl Hd Screws	2	2009	
37	Multi-Set Igloos	2	55556	
38	Multi-Set Barrels	2	55551	
39	Multi-Set Springs	2	2600	
40	1/2 in. x 2-1/4 in. Pivot Pins	2	55555	
41	Multi-Set Tubes & Plugs w/ Cap	2	51221	
42	1/2 in. SS Lock Washers	2	2241	
43	1/2-20 x 2 in. HHCS Bolts	2	2351	
44	3/8 in. Split Lock Washers	2	2237	
45	3/8 in. Jam Nuts	2	2113	
46	8 Hole Mounting Plate	1	51001	
47	1/4-20 x 5/8 in. Flat Head Screws	4	2013	
48	Swivel Mounting Base (SMT1)	1	SMT1	
49	Ball Cradle	1	52435	