

NOTE:
WIRING DIAGRAM
DRAWING #339B102

In the U.S.A., replacement parts may be ordered directly from CANNON Parts Dept., 121 Power Drive, Mankato, Minnesota 56001. In Canada, parts may be ordered from any of the Canadian Authorized Service Centers shown on the enclosed list. Be sure to provide the MODEL and SERIAL numbers of your downrigger when ordering parts. Please use the correct part numbers from the parts list. Payment for any parts ordered from the CANNON parts department, may be by cash, personal check, Discover Card, MasterCard or VISA. To order, call 1-800-227-6433 or FAX 1-800-527-4464.

1	3392505	FRAME - LARGE WHITE (LEXAN)	38	9010003	BEARING - DRIVE SHAFT NYLINER	75	0267001	▶SIDE PLATE (RH)
2	4427005	NOSE DECAL MAGNUM	39	9400005	SPRING - SHAFT CONTACT	76	0267002	▶SIDE PLATE (LH)
3	9040040	HOOK - 1/4" - 20 ROLLED	40	4421002	COVER - GEAR CASE	77	0269726	▶PULLY - SWIVEL HEAD
4	2263102	NUT - HEX 1/4"-20	41	2372100	SCREW - #8 x 5/8" PPHMS [5.EA]	78	3397300	▶WASHER - .735 OD X .36 ID
5	9280750	SCREW - 1/4" - 20 (RH) x 3/4" PPH	42	9010310	WASHER - THRUST [2.EA]	79	9010070	▶HDW BEARING BRASS[2.EA]
6	0849615	BASE LOCK KNOB	43	9010280	BEARING - THRUST	80	2227820	BOOM END - TELESCOPIC (LEXAN)
7	9040340	BOLT - 3/8"-16 X 1-1/2" HEX	44	2998906	KNOB BRAKE	81	2200148	SNAP & INSULATOR [2.EA]
8	9010001	BEARING - REEL SHAFT NYLINER [2.EA]	45	0649001	▶KNOB - HAND ADJUST	82	1007334	MOUNTING BASE (LEXAN)
9	9430210	WASHER - 1-1/16" OD X 7/8" ID (NYLON)	46	9130390	▶NUT - KNURLED INSERT 3/8"-24	83	2994893	*BAG ASSEMBLY, MOUNTING (KIT #3)
10	3320011	DEPTH COUNTER - 3 DIGIT (METRIC)	47	1479070	O-RING - REEL SHAFT	84	2263102	NUT - HEX 1/4"-20 [4.EA]
11	3333010	COUNTER GEAR (METRIC)	48	9370205	SCREW - 1/4" x 3/4" HEX WASH HD [3.EA]	85	2371712	WASHER - 9/32" FLAT [4.EA]
12	0854654	COUNTER CUSHION/STOPPER [2.EA]	49	3993200	POWER CABLE ASSEMBLY	86	9100100	TERMINATOR
13	3397916	REEL ASSEMBLY - TS ELECTRIC (METRIC)	50	3393200	>POWER CABLE - BATTERY	87	9100101	TERMINATOR CUSHION
14	3397902	▶REEL - 3.75" SS	51	3393201	>CAP - POWER CABLE - BATTERY	88	9100620	TERMINATOR SNAP & SWIVEL
15	3333011	>GEAR REEL (METRIC)	52	3393202	>POWER CABLE - MOTOR	89	9280725	BOLT - TRUSS 1/4" - 20 x 2-1/2" [8.EA]
16	1480071	SHAFT - REEL	53	3393210	>CAP - POWER CABLE -MOTOR	90	9370010	SCREW - #4 x 1/2" PPH [3.EA]
17	3393412	SCREW - SET 5/16"-18 x 1" (REEL)	54	3391000	MOTOR 12V DC	91	9950357	WASHER - LOCK 1/4" SPLIT [4.EA]
18	3775397	SPOOL CABLE SS [400.FT]	55	1497070	GEAR - WORM MOTOR	92	3392010	TELESCOPIC BOOM SS
19	9100070	CABLE LEADER SLEEVE [2.EA]	56	9250001	PIN - MOTOR, 3/32" X 3/4" ROLL SS	93	2219822	>BASE TUBE CLAMP
20	3396554	MOTOR HOUSING - MAG 10 TS (LEXAN)	57	700032	TERMINAL - MOTOR, FEM 12-10 [2.EA]	94	2219823	>MID TUBE CLAMP
21	1497074	LENSE - WINDOW DISPLAY	58	9010002	BEARING - MOTOR SHAFT	95	2222825	>MID TUBE COLLET
22	3395609	DECAL - LARGE, MAG 10 TS	59	2263112	NUT - HEX #10-32 BZ	96	2222826	>BASE TUBE COLLET
23	3395700	DECAL - POSITIVE ION CONTROL TS	60	3390201	COVER - MOTOR HOUSING TS (LEXAN)	97	3392001	▶BOOM BASE TUBE (SS)
24	2286792	SWITCH - UP/DN CONTROL	61	3393400	SCREW - #8-18 x 1-1/4" PPHSMS SS [6.EA]	98	3392002	▶BOOM MID TUBE (SS)
25	3391722	WASHER-FLAT 7/16 SAE	62	701-007	O-RING - SMALL	99	3392003	▶BOOM END TUBE (SS)
26	2286793	WASHER - SHIM .750 x .1 UP/DN SWITCH	63	2332103	SCREW-#6-20 X 3/8"	100	2998905	SWIVEL BASE
27	050176	CABLE ASSY - MAG 10 (SHORT STOP)	64	3395632	DECAL - CANNON LARGE TS [2.EA]	101	2249001	>KNOB - RELEASE PIN (LEXAN)
28	3394002	CONTROL BOARD - MAG 10	65	3991903	BAG ASSY - REAR ROD HOLDER TS	102	2267001	>BASE PLATE (LEXAN)
29	1296831	WIRE - CIRCUIT BREAKER JUMPER (RED)	66	0290796	>TUBE - ROD HOLDER	103	2267002	>SWIVEL PLATE (LEXAN)
30	3398205	CIRCUIT BREAKER - 30 AMP	67	2151726	>WASHER - 5/16" FLAT	104	3391919	>INDEXING PLATE (TAPPED)
31	1221490	UP/DN SWITCH BOOT	68	2383106	>NUT - 5/16"-18 SS	105	2277001	>NUT - RETAINER RELEASE
32	1221491	CIRCUIT BREAKER BOOT	69	3319005	>CLAMP - ROD HOLDER w/ SLOT	106	2287002	>SPRING - RELEASE PIN
33	1480070	SHAFT - DRIVE	70	3325002	>DISK - ROD HOLDER	107	2372100	>SCREW - #8 x 5/8" PPHMS [2.EA]
34	9250002	PIN - DRIVE SHAFT 3/16" ROLL SS	71	9040310	>BOLT - HEX 5/16"-18 x 2"	108	3392600	>RELEASE PIN
35	0467695	BRAKE PLATE - REEL	72	9430160	>WASHER - STAR 5/16"	109	9010004	>BEARING - SWIVEL BASE [2.EA]
36	3391710	CLUTCH PAD	73	2200109	>OFFSHORE SALTWATER RELEASE			
37	1433074	GEAR - DRIVER WORM	74	3992300	SWIVEL HEAD ASSEMBLY			

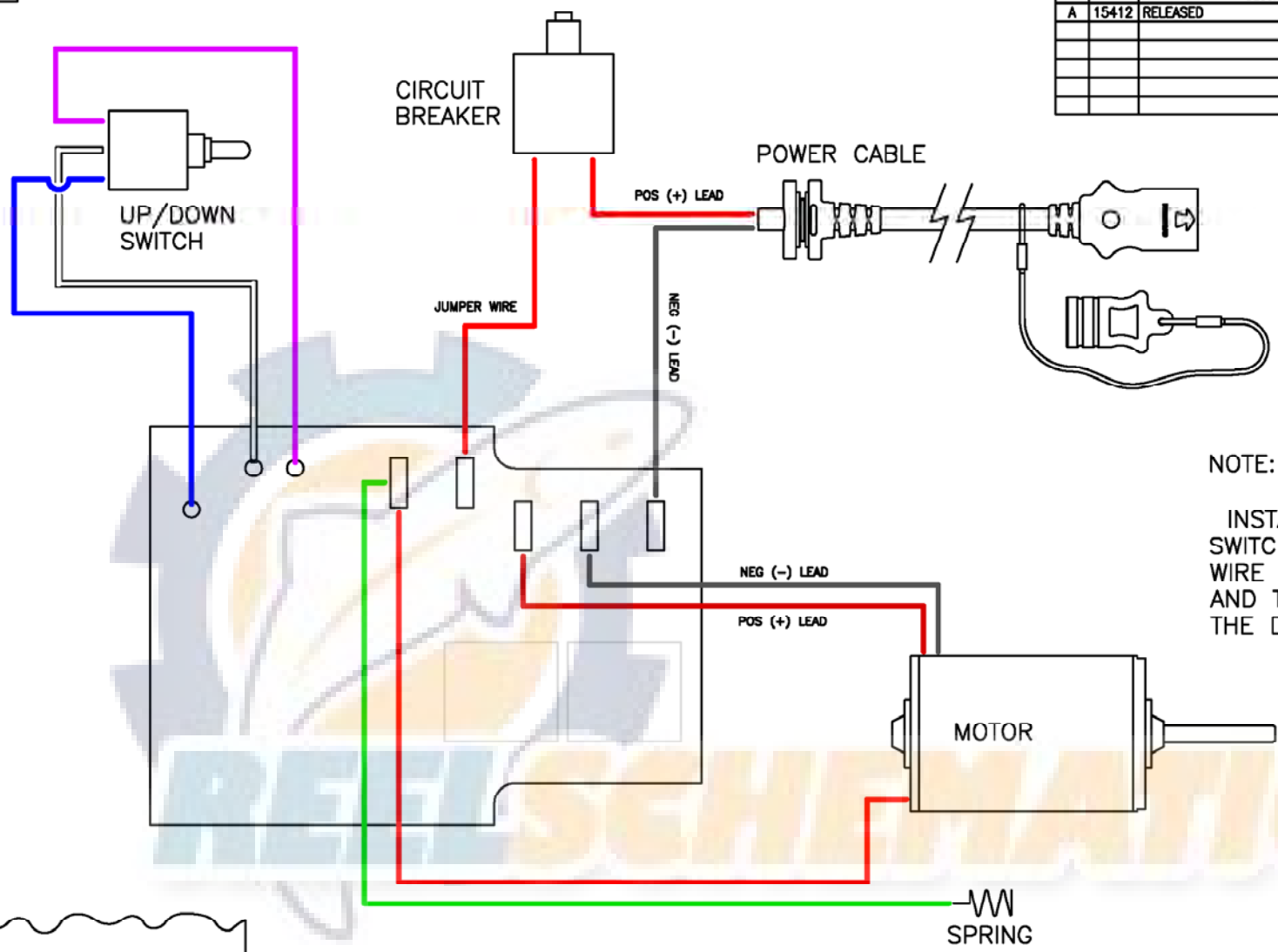
> PART OF ASSEMBLY

▶ ITEM CANNOT BE SOLD SEPARATELY

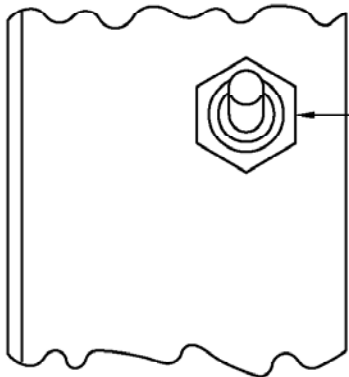
* PARTS USED BUT NOT SHOWN

PART NO: 339-8102

REVISIONS					
REV.	ECN NO.	DESCRIPTION	BY	DATE	APP'D BY
A	15412	RELEASED	JLL	10/18/06	DJ



NOTE:
 INSTALL THE UP/DOWN SWITCH WITH THE PURPLE WIRE IN THE UP POSITION AND THE BLUE WIRE IN THE DOWN POSITION



UP/DOWN SWITCH

MIND KOTA
 OPERATIONS
 MANKATO, MN

A DIVISION OF **JOHNSON OUTDOORS**
 THE LEADER IN ACTIVITIES

TOLERANCES:
 UNLESS OTHERWISE SPECIFIED
 .0004 ±.0010
 .001 ±.005
 .002 ±.010
 .005 ±.015
 .010 ±.025
 .015 ±.050
 FRACTIONAL ± 1/64
 ANGULAR DIMENSIONS ± 0.5°

CONFIDENTIAL PROPERTY—
 This document is the confidential property of Johnson Outdoors and is loaned subject to return upon demand. It is to remain in your custody/possession for any reason. This document is to be used only pursuant to written instructions of Johnson Outdoors. All rights to design and invention are reserved by Johnson Outdoors. Permission of this document is accepted subject to the foregoing.

DRAWN BY: JLL
DATE: 10/18/06
APP'D BY: DJ
DATE: 10/18/06
CHECKED BY: [Signature]
DATE: [Signature]

FINISH: NONE	PART NAME: MAG 10 & 5 WIRING DIAGRAM	A SIZE
MATERIAL: NONE	RELEASED ECN# 15412	REV: A
	PART NO.: 339-8102	
	SCALE: NONE	U/M: IN.