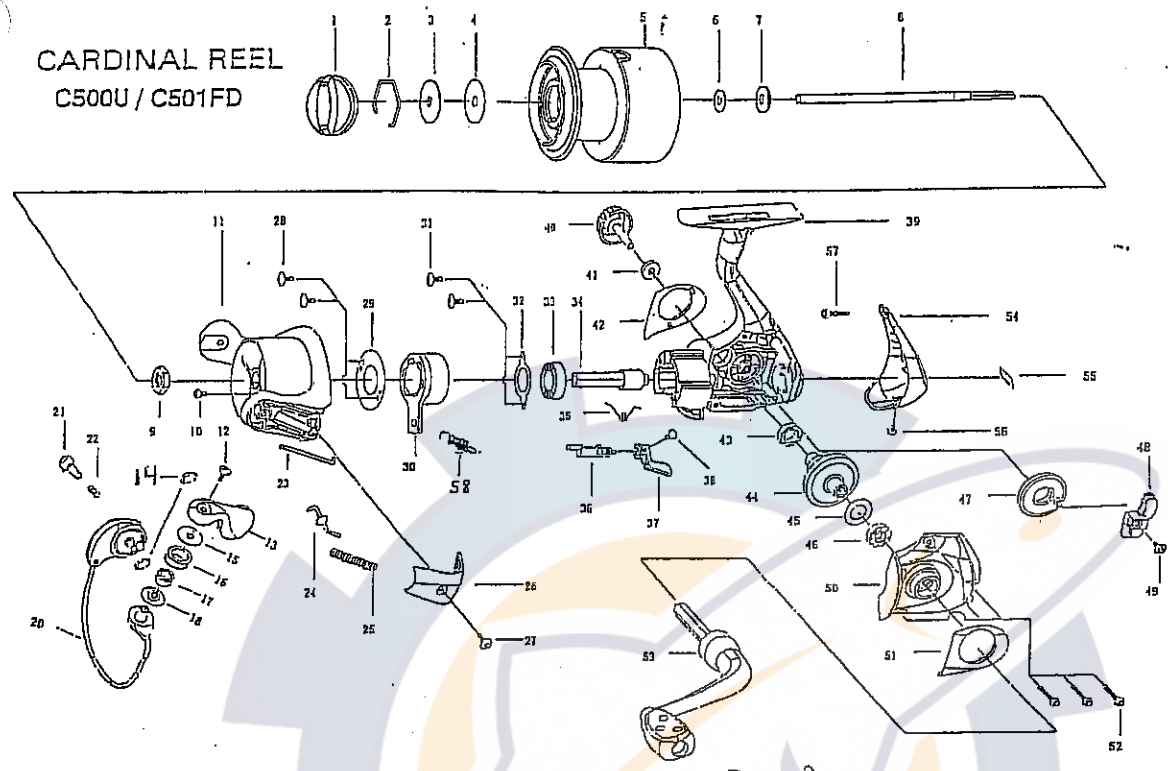


# EXPLODED VIEW

CARDINAL REEL  
C500U / C501FD



NO	DESCRIPTION	500U	501FD	NO	DESCRIPTION	500U	501FD
1	drag knob	1085760	1085760	30	one way ball bearing	1085543	1085543
2	retainer ring	1092606	1092606	31	screw	1092775	1092775
3	washer	1092607	1092607	32	retainer ring	1085332	1085332
4	washer	1092709	1092709	33	ball bearing	1085544	1085544
5	Spool Assembly	1090539	1085761	34	pinion gear	1085545	1085545
5	Spool Assy Poly.	1091661	1091662	35	spring	1085546	1085546
6	washer	1085270	1085270	36	anti-reverse pin	1085547	1085547
7	click gear	1085271	1085271	37	anti-reverse lever	1085771	1085771
8	main shaft	1085605	1092817	38	screw	1085772	1085772
9	rotor nut	1085618	1085618	39	body	1085773	1085773
10	screw	1085900	1085900	40	handle screw cap	1085774	1085774
11	rotor	1090540	1085762	41	washer	1092781	1092781
12	screw	1085763	1085763	42	body decoration plate	1085775	1085775
13	bail arm	1085764	1085764	43	ball bearing	1085552	1085552
14	ring	1085323	1085323	44	drive gear	1085550	1085550
15	bushing	1092791	1092791	45	bushing	1085551	1085551
16	line roller	1085765	1085765	46	ball bearing	1085552	1085552
17	ball bearing	1085365	1085365	47	oscilation gear	1085612	1092815
18	bushing	1085536	1085536	48	slider	1085613	1092816
19	BAIL ASSY	1085767	1085767	49	screw	1085456	1085456
21	click pin	1085768	1085768	50	body cap	1092827	1092828
22	spring	1085539	1085539	51	body cap decoration plate	1085777	1085777
23	bail lever	1085610	1092818	52	screw	1085778	1085778
24	bail lever	1085540	1085540	53	handle assembly	1085779	1085779
25	spring	1085541	1085541	54	rear cover	1085780	1085780
26	rotor cover	1092825	1092825	55	logo plate	1085602	1085602
27	screw	1085770	1085770	56	screw	1085781	1085781
28	screw	1092844	1092844	57	screw	1085599	1085770
29	one way retainer ring	1085542	1085542	58	spring	1080731	1080731

41