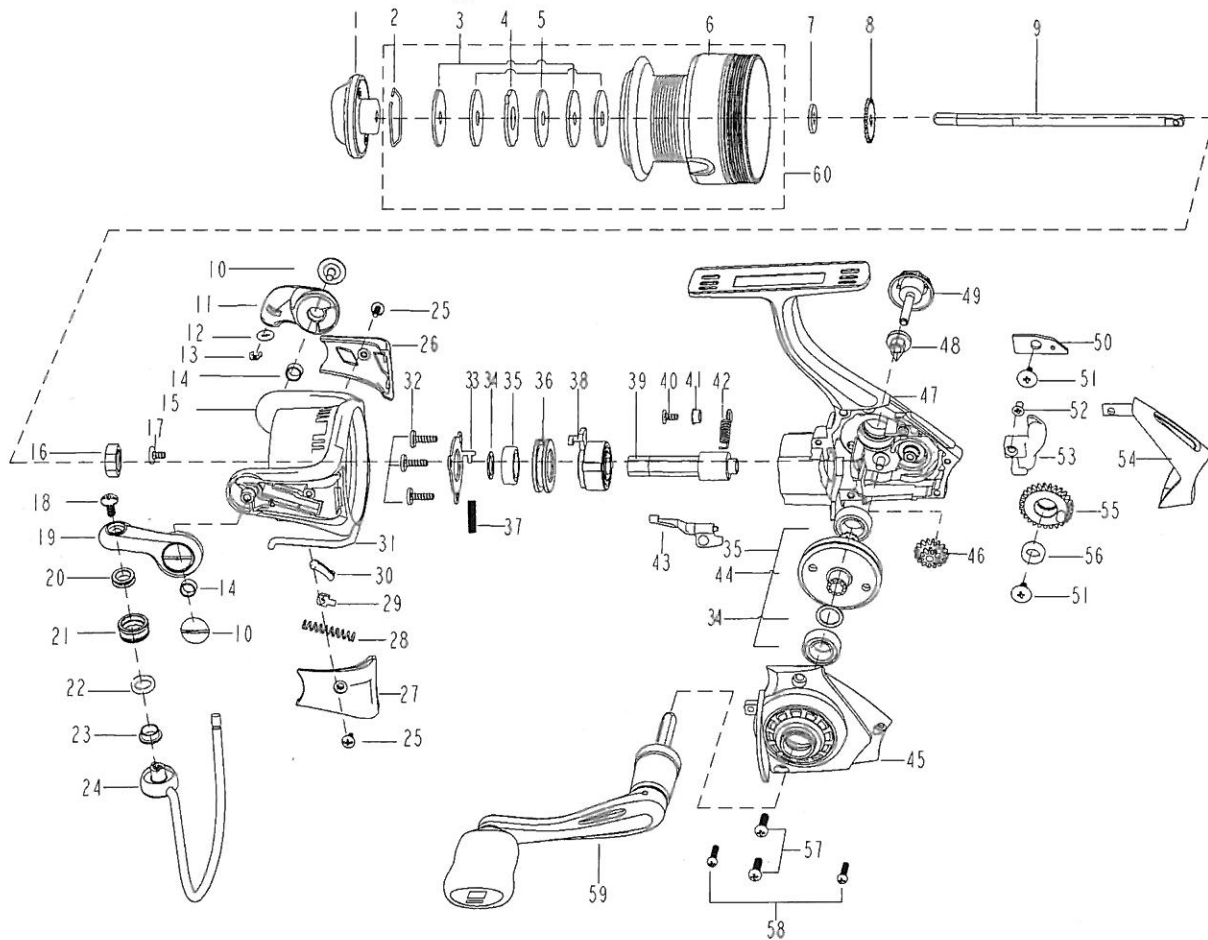


Abu Garcia. CARDINAL S

20
30
40



KEY NO.	DESCRIPTION	PART NO.			KEY NO.	DESCRIPTION	PART NO.		
		20S	30S	40S			20S	30S	40S
1	Drag knob assy	1280474	1280474	1280474	32	Screw(3REQ)	1092844	1092844	1092844
2	Retainer ring	1085295	1085295	1085295	33	Pinion cover	1252715	1252715	1252715
3	Key washer(2REQ)	1085296	1085296	1085296	34	Washer(2REQ)	1114764	1114764	1114764
4	Eared washer	1085297	1085297	1085297	35	Bearing 7*13*4(3REQ)	1252717	1252717	1252717
5	Washer (3REQ)	1085298	1085298	1085298	36	Bearing holder	1280475	1280475	1280475
6	Spool	1279723	1279741	1279746	37	Clutch spring	1252716	1252716	1252716
7	Washer (T=0.5)	1178949	1178949	1178949	38	Clutch assy	1252719	1252719	1252719
8	Click gear	1126316	1126316	1118984	39	Pinion	1279732	1279732	1279732
9	Main shaft	1279725	1279725	1279748	40	Screw	1141435	1141435	1141435
10	Bail arm screw(2REQ)	1126379	1126379	1126379	41	Bushing	1279733	1279733	1279733
11	Bail holder	1280984	1280984	1280984	42	Clutch switch spring	1252722	1252722	1252722
12	O ring	1252708	1252708	1252708	43	Clutch switch	1280986	1280986	1280986
13	E-clip	1252707	1252707	1252707	44	Drive gear	1279734	1279734	1279734
14	Bushing(2REQ)	1188261	1188261	1188261	45	Body cover	1279735	1279735	1279754
15	Rotor	1279726	1279743	1279749	46	Reduction gear	1252732	1252732	1252732
16	Rotor nut	1085273	1085273	1085273	47	Body	1279736	1294601	1279755
17	Nut set Screw	1126258	1126258	1126258	48	Washer	1092781	1092781	1092781
18	Line roller screw	1126261	1126261	1126261	49	Handle screw	1279737	1279737	1279737
19	Bail arm	1280985	1280985	1280985	50	Slider retainer	1126332	1126332	1121651
20	Brass bushing	1279727	1279727	1279727	51	Screw (2REQ)	1188428	1188428	1188428
21	Line roller	1252705	1252705	1252705	52	Slider screw	1126275	1126275	1126275
22	Pom bushing	1252756	1252756	1252756	53	Slider	1279738	1279738	1279756
23	Brass bushing	1252755	1252755	1252755	54	Rear cover	1279739	1279739	1279757
24	Bail assembly	1279728	1279744	1279750	55	Oscillation gear	1252730	1252730	1253701
25	Screw(2REQ)	1125962	1125962	1125962	56	Bushing	1108938	1108938	1108938
26	Bail holder cover	1279729	1279729	1279751	57	Screw (2REQ)	1085599	1085599	1119026
27	Bail arm cover	1279730	1279730	1279752	58	Screw (2REQ)	1117984	1117984	1117984
28	Trip spring	1119106	1119106	1119106	59	Handle assy	1279740	1279740	1279740
29	Bail slider	1126272	1126272	1126272	60	Spool assy	1279724	1279742	1279747
30	Trip linkage	1252713	1252713	1252713					
31	Trip bar	1279731	1279745	1279753					