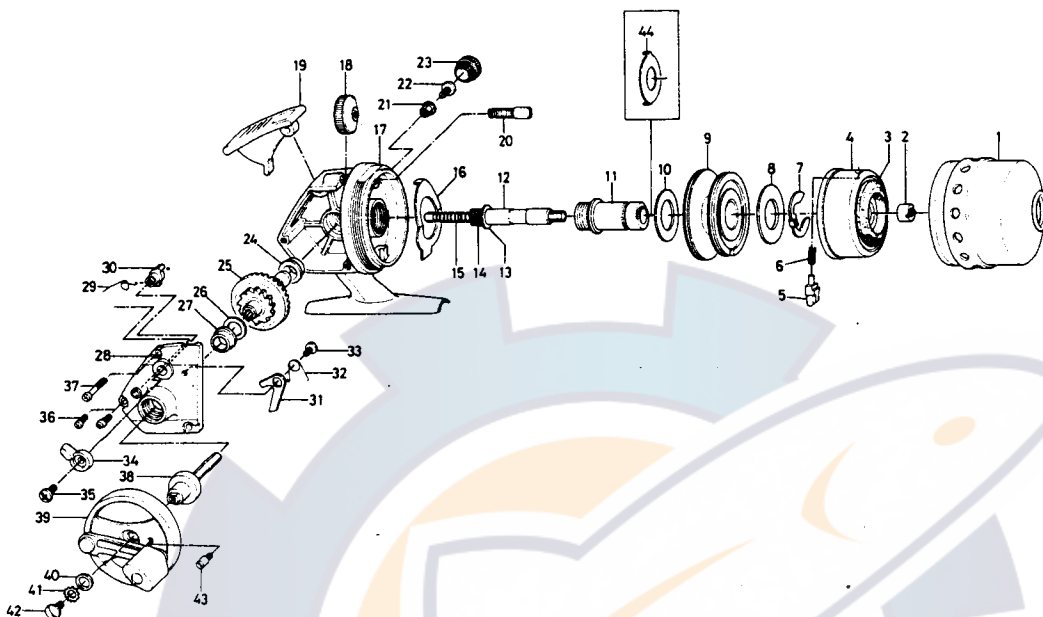


SPINCASTING REEL **Goldcast 312RL**



KEY NO. 3 ~ 6
 6-736-6702

ROTOR ASSEMBLY

KEY NO. 12 ~ 15
 6-711-1921

MAIN SHAFT ASSEMBLY

| Key No. | Parts No. | Parts Name | Key No. | Parts No. | Parts Name |
|---------|------------|----------------------|---------|------------|--------------------------|
| 1 | 6-755-1403 | Front cover | 23 | 6-B03-4802 | Handle screw cap |
| 2 | 6-342-3701 | Rotor nut | 24 | 6-637-4801 | Drive gear shaft holder |
| 3 | 6-330-4311 | Line stopper | 25 | 6-413-5501 | Drive gear |
| 4 | 6-736-6602 | Rotor | 26 | 6-370-5100 | Drive gear washer |
| 5 | 6-180-2622 | Pick up pin | 27 | 6-637-4801 | Drive gear shaft holder |
| 6 | 6-142-4501 | Pick up pin spring | 28 | 6-063-0206 | Body cover |
| 7 | 6-320-9101 | Spool retainer | 29 | 6-B09-1401 | Anti-reverse cam spring |
| 8 | 6-370-0412 | Spool washer | 30 | 6-461-4501 | Anti-reverse cam |
| 9 | 6-732-2942 | Spool | 31 | 6-111-7011 | Anti-reverse claw |
| 10 | 6-375-6501 | Spool washer | 32 | 6-144-5111 | Anti-reverse claw spring |
| 11 | 6-381-7731 | Shaft metal | 33 | 6-351-7701 | Anti-reverse claw screw |
| 12 | 6-393-4211 | Main shaft | 34 | 6-541-3132 | Anti-reverse lever |
| 13 | 6-633-8811 | Ball bearing | 35 | 6-351-4701 | Anti-reverse lever screw |
| 14 | 6-402-6701 | Pinion | 36 | 6-351-1101 | Body cover screw (short) |
| 15 | 6-142-7711 | Main shaft spring | 37 | 6-353-4911 | Body cover screw (long) |
| 16 | 6-151-6731 | Drag adjusting plate | 38 | 6-071-0504 | Drive gear shaft |
| 17 | 6-700-9112 | Body | 39 | 6-746-6001 | Handle |
| 18 | 6-B12-3001 | Drag adjusting dial | 40 | 6-375-2501 | Handle washer A |
| 19 | 6-781-6504 | Push button | 41 | 6-160-8001 | Handle washer B |
| 20 | 6-363-5911 | Drag adjusting screw | 42 | 6-352-1101 | Handle screw B |
| 21 | 6-501-8501 | Handle screw holder | 43 | 6-363-6201 | Handle arm stopper screw |
| 22 | 6-363-8511 | Handle screw A | 44 | 6-376-0401 | Spool washer B |