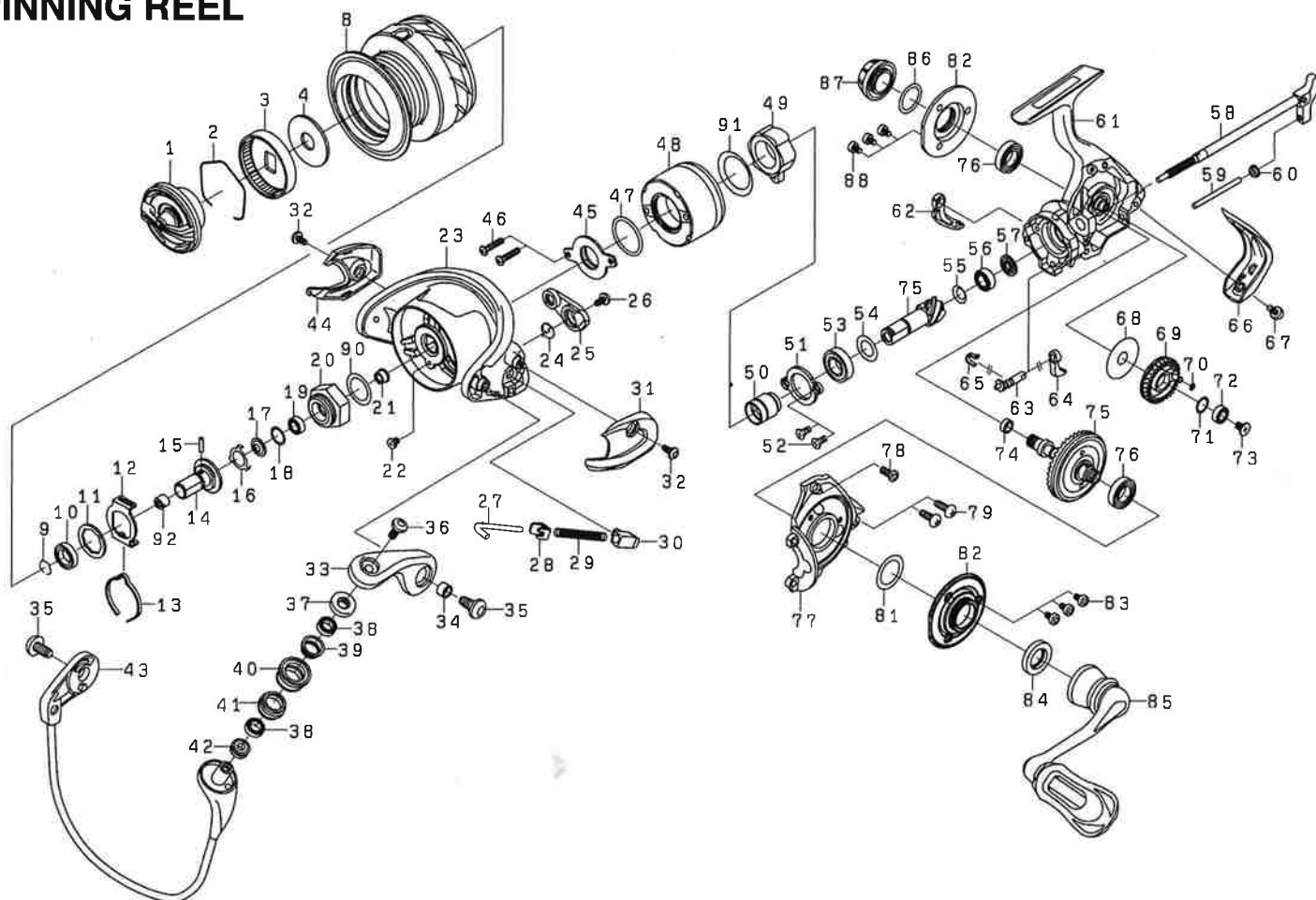


SPINNING REEL



SILVER WOLF Z 2004/2506

*Please order by parts number, not key number.

Key No.	Parts Name	2004 Parts No.	2506 Parts No.	Key No.	Parts Name	2004 Parts No.	2506 Parts No.
1	Drag Knob	6J276701	6J277201	48	Cover (C)	6H836503	6H836503
2	Drag Washer Retainer	6F742501	6F710001	49	Roller Clutch	6H412601	6H412601
3	Drag Knob Click Plate	6F908704	6F895307	50	Spacing Sleeve	6H879601	6H879601
4	Drag Washer	6H806401	6H806601	51	Bearing Retainer (C)	6H739101	6H739101
8	Spool Assembly (2-8)	6J276501	6J277101	52	Screw (G)	6G997301	6G997301
9	Bearing Retainer (A)	6G472401	6G472401	53	Ball Bearing (D)	6G279602	6G279602
10	Ball Bearing (A)	6E306801	6E306801	54	Washer (C)	63758500	63758500
11	Washer (A)	6H806300	6H806300	55	Spring Washer	6H814900	6H814900
12	Click Leaf Spring Holder	6H416001	6H416001	56	Ball Bearing (E)	6H738902	6H738902
13	Spool Click Leaf Spring	6H416101	6H416101	57	Collar (E)	6H411201	6H411201
14	Spool Metal	6H415901	6H415901	58	Main Shaft	6J180001	6J180201
15	Pin	6G375001	6G375001	59	Oscillating Post	6H738701	6H738701
16	Bearing Retainer (B)	6G471501	6G471501	60	Collar (F)	6H738801	6H738801
17	Packing (A)	6H415701	6H415701	61	Body	6J121802	6J121802
18	Washer (B)	6G466103	6G466103	62	Bail Trip Plate	6H754301	6H737801
19	Ball Bearing (B)	6G466205	6G466205	63	Anti-Reverse Cam	6H738201	6H738201
20	Rotor Nut	6H806201	6H805801	64	Anti-Reverse Lever	6H410106	6H410106
21	Collar (A)	6H854701	6H854801	65	Anti-Reverse Cam Spring	6H809201	6H809201
22	Screw (A)	6H022701	6H022701	66	Rear Cover	6H836702	6H836702
23	Rotor	6H754606	6H741809	67	Screw (H)	6H836801	6H836801
24	Bail Trip Lever Spring	6H443301	6H413601	68	Washer (D)	6H607902	6H607902
25	Bail Trip Lever	6H754701	6H741901	69	Oscillating Gear	6H788901	6H738301
26	Screw (B)	6H417701	6H417701	70	"O"Ring (B)	6G683301	6G683301
27	Bail Spring Shaft	6H754901	6H742101	71	Washer (E)	6H129200	6H129200
28	Bail Spring Plate	6H576101	6H576101	72	Ball Bearing (F)	6G469005	6G469005
29	Bail Spring	6H442401	6H545701	73	Screw (I)	6G997001	6G997001
30	Bail Spring Holder	6H414301	6H414301	74	Ring	6H455601	6H455601
31	Cover (A)	6H755001	6H742501	75	Pinion Gear + Drive Gear	6Z021281	6Z021282
32	Screw (C)	6H741702	6H741702	76	Ball Bearing (G)	6H739703	6H739703
33	Bail Arm	6H742209	6H742209	77	Side Cover	6H740106	6H740106
34	Collar (B)	6H742301	6H742301	78	Screw (J)	63511010	63511010
35	Screw (D)	6H656102	6H656102	79	Screw (K)	6G997701	6G997701
36	Screw (E)	6H744201	6H744201	81	Washer (F)	6G468000	6G468000
37	Magnet Assembly (A)	6H744001	6H744001	82	Bearing Retainer (D)	6J285801	6J285801
38	Ball Bearing (C)	6G686903	6G686903	83	Screw (L)	6H740301	6H740301
39	Collar (C)	6H743901	6H743901	84	Packing (B)	6H866201	6H866201
40	Line Roller	6H743801	6H743801	85	Handle Assembly	6J276301	6J276801
41	Collar (D)	6H743701	6H743701	86	"O"Ring (C)	6G399702	6G399702
42	Magnet Assembly (B)	6H743401	6H743401	87	Handle Screw Cap	6H745101	6H745101
43	Bail Assembly	6H892501	6H870301	88	Screw (M)	6H740001	6H740001
44	Cover (B)	6H755501	6H743301	90	Washer (G)	63727601	63712824
45	Magnet Assembly (C)	6H740901	6H740901	91	Washer (H)	6H979201	6H979201
46	Screw (F)	6H596502	6H596502	92	Spool Metal nut	6J180801	6J180801
47	"O"Ring (A)	6H741401	6H741401				