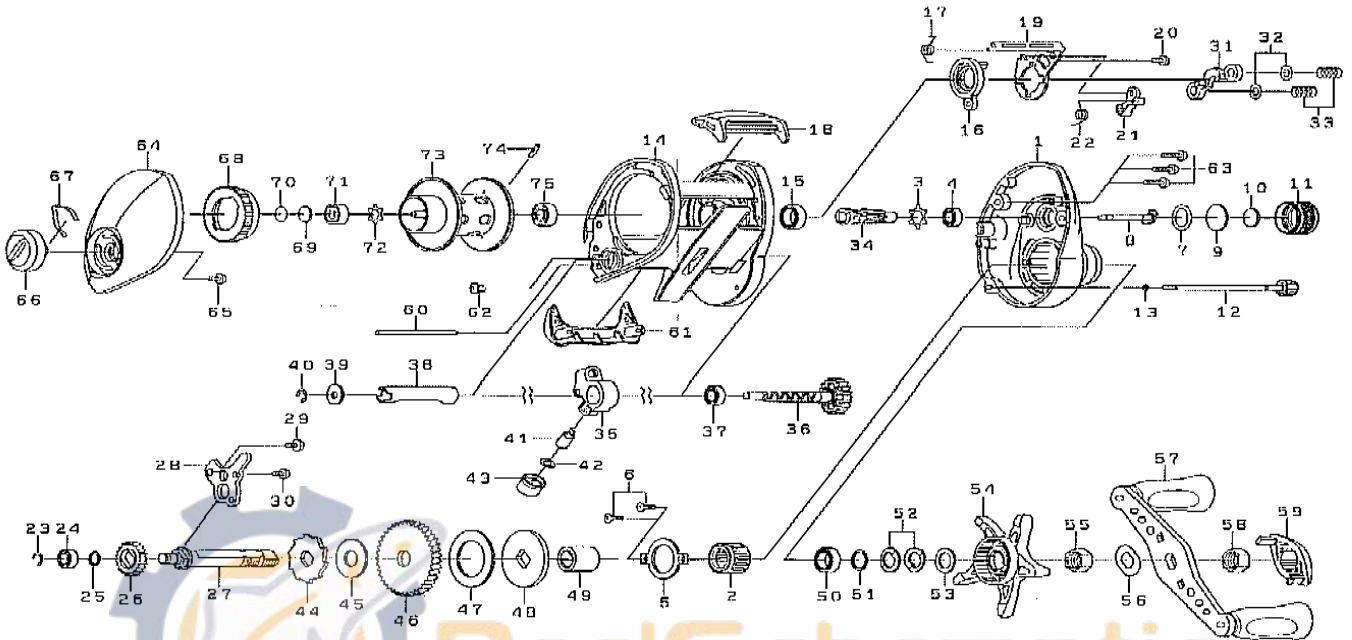


STRIKEFORCE 100HA



Key No.	Parts No.	Parts Name	Key No.	Parts No.	Parts Name
1	H00-0614	Right side plate	38	G93-4201	Level wind guard
2	G93-0501	Roller clutch	39	F65-5501	Worm shaft washer
3	H18-0601	Bearing retainer (A)	40	320-5901	Worm shaft retainer
4	B35-8607	Ball bearing (C)	41	F51-6501	Line guide pawl
5	G93-0901	Handle metal plate	42	373-1300	Line guide washer
6	G27-0701	Handle metal plate screw	43	F40-2801	Clutch cap
7	B05-5201	"0" ring (A)	44	G93-4301	Clutch wheel
8	G93-1001	Pinion shaft	45	G93-4401	Drive shaft washer
9	375-7501	Spool adjusting cap metal	46	H00-1901	Drive gear (B)
10	B17-5503	Spacer(A)	47	G93-4601	Drag washer
11	H21-3601	Cast control cap	48	G93-4701	Key washer
12	G93-1101	Right side plate screw (A)	49	G93-4801	Gear shaft collar
13	B85-3101	"0" ring (B)	50	B86-1704	Ball bearing (A)
14	H00-0506	Frame assembly	51	B55-3801	Bearing washer
15	B86-1704	Ball bearing (A)	52	150-8901	Drag spring washer
16	G93-1601	Clutch cam (A)	53	373-7810	Spacing sleeve
17	G93-1701	Clutch cam spring (A)	54	H00-2105	Star drag
18	G93-1801	Clutch lever	55	F84-9903	Star drag nut
19	G93-1901	Clutch cam (B)	56	150-9001	Friction washer
20	G19-3701	Clutch cam screw	57	H14-9201	Handle assembly
21	G93-2001	Clutch trip lever	58	F84-9903	Handle nut
22	G93-2101	Clutch cam spring (B)	59	G96-9901	Handle nut plate
23	320-8002	Retainer (A)	60	H00-2401	Stabilizer bar
24	B35-8607	Ball bearing (C)	61	H00-2505	Front plate
25	E09-6501	Washer (A)	62	G93-9301	Front plate screw
26	G93-2201	Drive gear (A)	63	F93-9701	Right side plate screw (B)
27	G93-2301	Drive shaft	64	H19-4401	Left side plate
28	G93-2401	Drive shaft retainer	65	F21-2201	Set plate screw
29	G19-3701	Drive shaft retainer screw (A)	66	G93-6209	Brake adjusting knob
30	G17-1402	Drive shaft retainer screw (B)	67	H08-4401	Brake click spring
31	G93-3501	Yoke	68	H02-9701	Magnet holder
32	B41-1706	Yoke washer	69	375-7411	Spacer (B)
33	G85-0301	Yoke spring	70	375-7404	Spacer (C)
34	H00-1601	Pinion gear	71	G51-1504	Ball bearing (B)
35	H00-1703	Line guide	72	H18-0501	Bearing retainer (B)
36	G93-9901	Worm shaft assembly	73-75	H21-3501	Spool assembly
37	G05-1701	Bearing (A)			