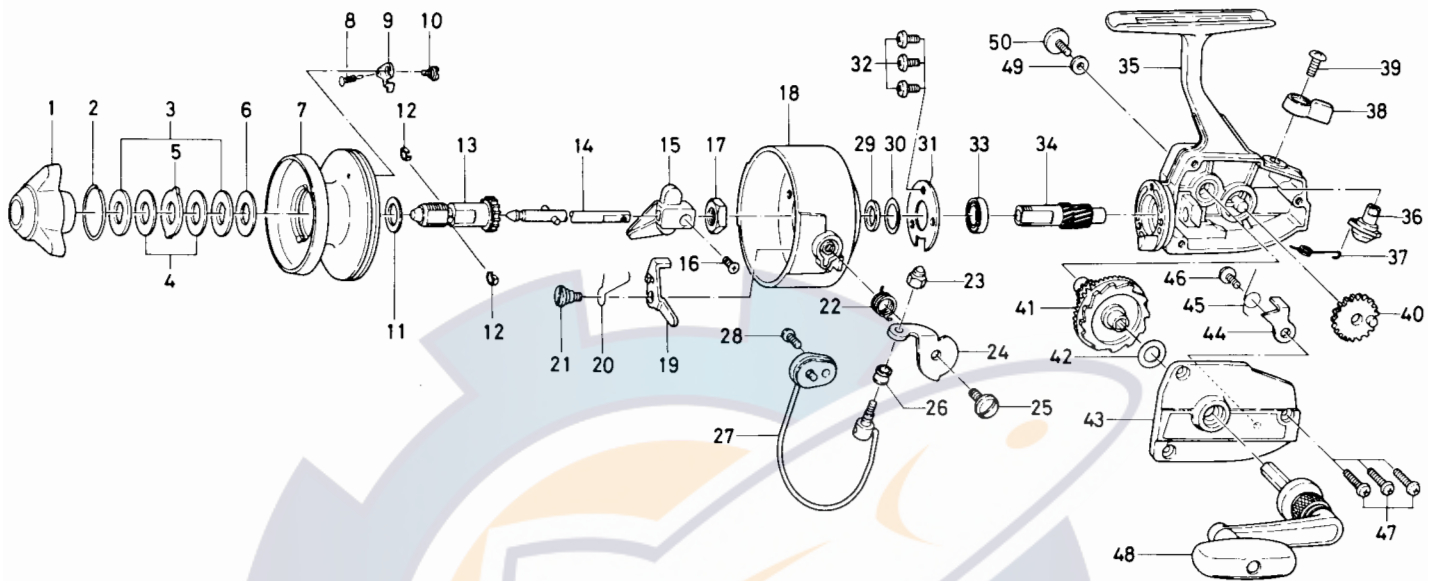




# SPINNING REEL 8350HRL



Key No. 1 ~ 13  
6-733-7601 Spool assembly \$4.80

| Key No. | Parts No.  | Parts Name               | Price Per Piece | Key No. | Parts No.  | Parts Name                     | Price Per Piece |
|---------|------------|--------------------------|-----------------|---------|------------|--------------------------------|-----------------|
| 1       | 6-740-4201 | Drag knob                | \$2.10          | 26      | 6-250-1921 | Line roller                    | S .35           |
| 2       | 6-171-7701 | Drag washer retainer     | .15             | 27      | 6-725-3331 | Bail                           | 1.95            |
| 3       | 6-374-4802 | Drag washer A            | .15             | 28      | 6-351-6401 | Bail holder screw              | .15             |
| 4       | 6-373-3701 | Drag washer B            | .15             | 29      | 6-373-7804 | Pinion washer A                | .15             |
| 5       | 6-373-3603 | Drag washer C            | .20             | 30      | 6-372-7600 | Pinion washer B                | .15             |
| 6       | 6-373-3704 | Drag washer D            | .15             | 31      | 6-633-5521 | Ball bearing ret. washer       | .25             |
| 7       | 6-514-3401 | Spool                    | See Assy.       | 32      | 6-350-1931 | Ball bearing ret. washer screw | .15             |
| 8       | 6-144-9201 | Spool click claw spring  | .20             | 33      | 6-631-6901 | Ball bearing                   | 3.10            |
| 9       | 6-030-5311 | Spool click claw         | .40             | 34      | 6-403-2101 | Pinion gear                    | 1.75            |
| 10      | 6-363-4501 | Spool click claw screw   | .15             | 35      | 6-701-3904 | Body                           | 4.95            |
| 11      | 6-375-5701 | Spool washer             | .15             | 36      | 6-460-6821 | Anti-reverse cam               | .20             |
| 12      | 6-151-7211 | Spool metal leaf spring  | .20             | 37      | 6-142-2801 | Anti-reverse cam spring        | .15             |
| 13      | 6-720-1721 | Spool metal              | 1.95            | 38      | 6-541-3132 | Anti-reverse lever             | .25             |
| 14      | 6-711-4501 | Main shaft               | 1.10            | 39      | 6-351-4701 | Anti-reverse lever screw       | .15             |
| 15      | 6-481-1501 | Oscillating slider       | .40             | 40      | 6-413-4501 | Oscillating gear               | .40             |
| 16      | 6-351-5311 | Oscillating slider screw | .15             | 41      | 6-414-1201 | Drive gear                     | 2.70            |
| 17      | 6-340-6602 | Rotor nut                | .20             | 42      | 6-370-5150 | Drive gear washer              | .15             |
| 18      | 6-202-1401 | Rotor                    | 3.05            | 43      | 6-760-9603 | Body cover                     | 2.00            |
| 19      | 6-571-0001 | Bail kick lever          | .75             | 44      | 6-111-3411 | Anti-reverse claw              | .25             |
| 20      | 6-143-4801 | Bail kick lever spring   | .15             | 45      | 6-143-9681 | Anti-reverse claw spring       | .15             |
| 21      | 6-361-8202 | Bail kick lever screw    | .25             | 46      | 6-351-7701 | Anti-reverse claw screw        | .15             |
| 22      | 6-141-0651 | Bail spring              | .15             | 47      | 6-351-6401 | Body cover screw               | .15             |
| 23      | 6-341-2701 | Bail nut                 | .35             | 48      | 6-746-1331 | Handle                         | 3.65            |
| 24      | 6-231-0431 | Arm lever                | .55             | 49      | 6-372-4601 | Handle washer                  | .15             |
| 25      | 6-361-8532 | Arm lever screw          | .60             | 50      | 6-351-5531 | Handle screw                   | .35             |