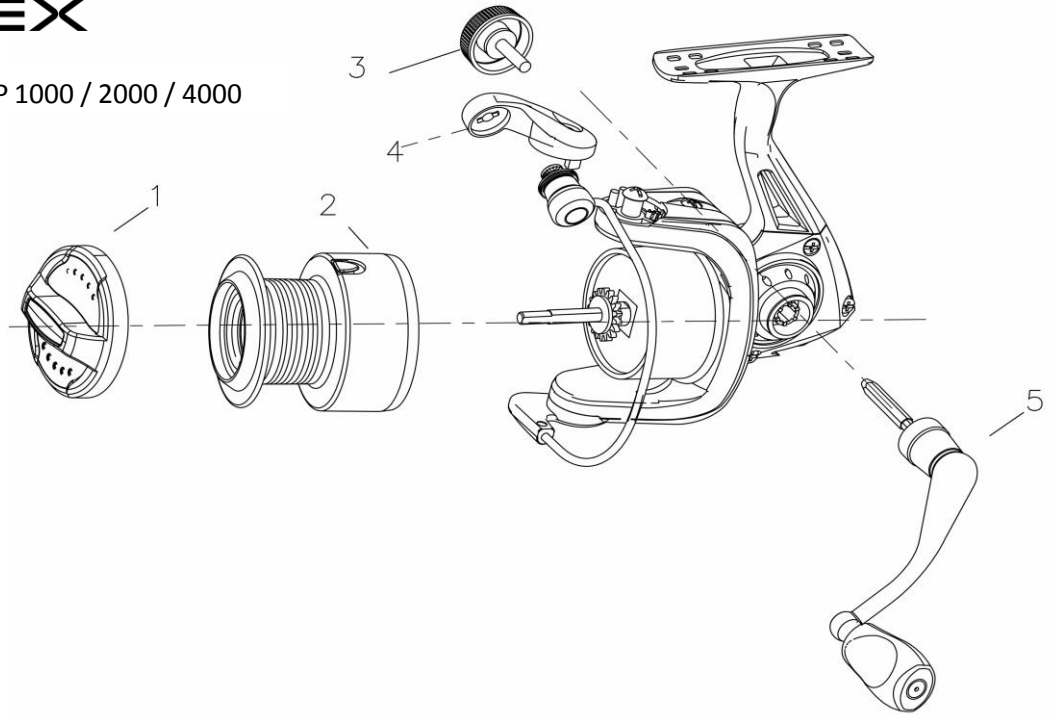




Model: KLXTC1SP 1000 / 2000 / 4000



Item	Parts Description	KLXTC1SP 1000	KLXTC1SP 2000	KLXTC1SP 4000
1	DRAG KNOB ASSEMBLY	1512845	1512849	
2	SPOOL ASSEMBLY	1512846	1512850	1512853
3	HANDLE SCREW ASSEMBLY	1512847	1512851	
4	BAIL ARM	1514577	1514578	
5	HANDLE ASSEMBLY	1512848	1512852	