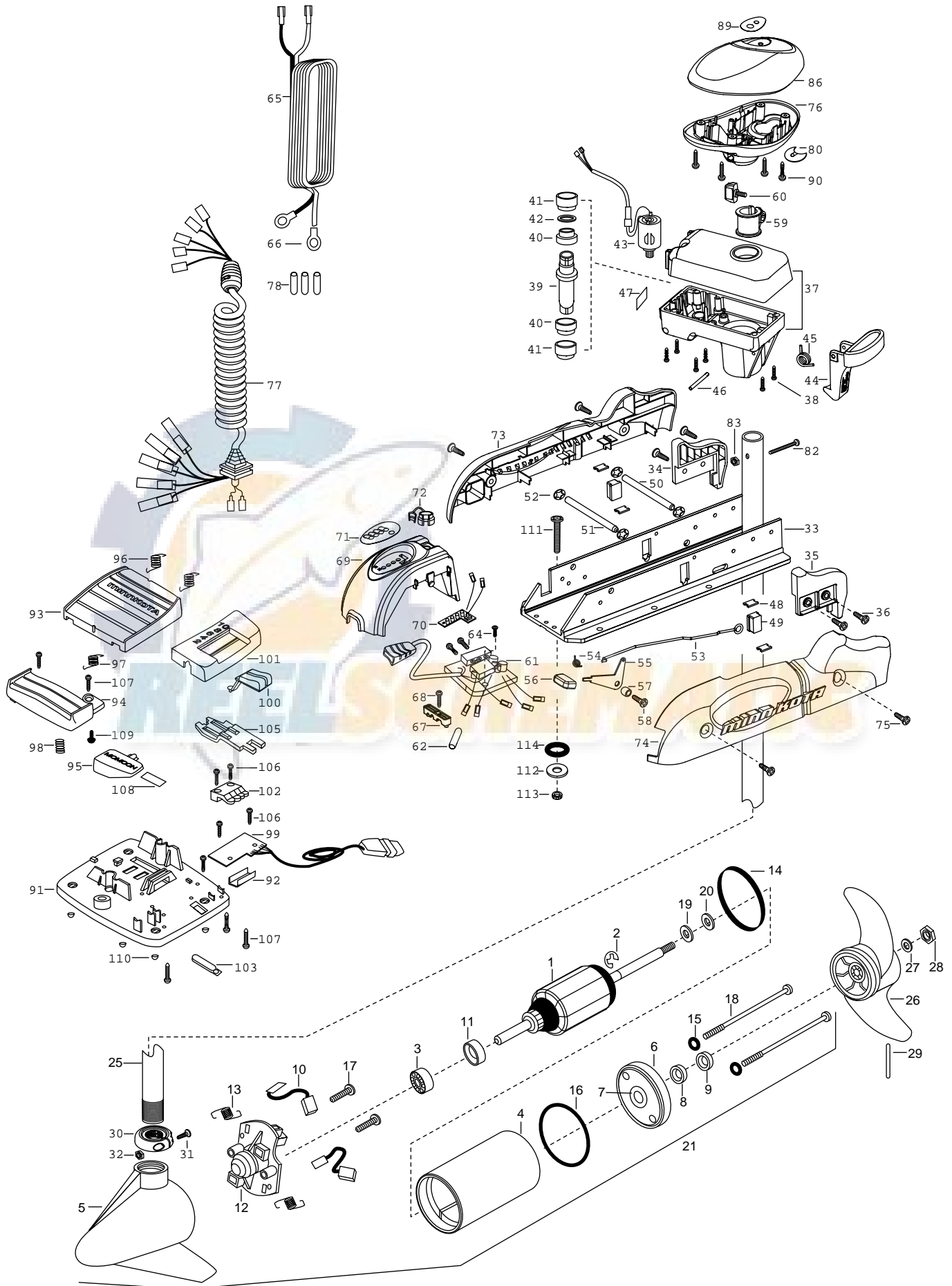


64PD PONTOON
64 LBS THRUST
24 VOLT 38 AMPS
48" SHAFT



1	92-100-009 ARMATURE ASSEMBLY 24V FW SW	■	2882011	BUSHING/ OUTSHAFT KIT	74	2303948	SIDEPLATE(LEFT) PONTOON
2	788-015 RETAINING RING			(INCLUDES 39-42)	75	2303430	SCREW-1/4-20 X 5/8- [4.EA]
3	140-010 BALL BEARING	*39	2302010	DRIVE HOUSING OUTPUT SHAFT	76	2302515	CONTROL BOX PD/AP
4	431-005 CENTER HOUSING ASSEMBLY 3.62 TXT	*40	2307304	BUSHING- INNER [2.EA]	77	2991250	COIL CORD WSTRAIN RELIEF 48"
5	421-065 HOUSING BRUSH END 3.62 TXT FW	*41	2307305	BUSHING- OUTER [2.EA]	78	2065400	WIRE INSULATOR-LGE 1-3/4 [3.EA]
6	2-400-101 PLAIN END HOUSING ASSEMBLY 3.625	*42	2304603	O-RING	80	2224700	INSERT- PLUG
7	144-049 BEARING - FLANGE (SERVICE ONLY)	43	2307045	MOTOR- DRIVE HOUSING HIGH SPD	82	2033400	SCREW-10-24 X 1-3/4 PPH Z/P
8	880-003 **SEAL	44	2307205	LATCH HANDLE PD/AP	83	2013110	NUT-HEX 10-24 NYLOC
9	880-006 **SEAL WITH SHIELD	45	2302750	SPRING- LATCH TORSION PD/AP	86	2300235	CONTROL BOX COVER- POWERDRIVE
10	188-036 BRUSH ASSEMBLY [2.EA]	46	2302607	PIN- DRIV-LOK GROOVE ZINC TYPE	89	2315668	DECAL- COVER 64 PONTOON
11	725-050 BRUSH RETENTION- PAPER TUBE	47	2305514	DECAL-STOW/DEPLOY	90	2012100	SCREW-8-18 X 5/8 [4.EA]
12	738-036 BRUSH PLATE W/HOLDER	48	2305110	PAD-PIVOT SUPT [4.EA]	■	2774700	FOOT PEDAL ASSEMBLY
13	975-040 SPRING - TORSION [2.EA]	49	2305101	PIVOT PAD [2.EA]	91	2304511	FOOT PEDAL BASE
14	337-036 **GASKET	50	2300500	PIN-LATCH PD BASE	92	2308500	WEAR PLATE FOOT PDL
15	701-008 **O-RING, THRU-BOLT [2.EA]	51	2300510	PIN-PIVOT PD BASE	93	2304516	FOOT PEDAL-UPPER
16	701-081 **O-RING	52	2013100	NUT-SPEED [4.EA]	94	2304520	FOOT PEDAL-LOWER
17	830-007 SCREW-8-32 [2.EA]	53	2303612	ROD-RELEASE RT/AP SS	95	2307210	LEVER MOM/CON-
18	830-008 THRU-BOLT 10-32X9.2 [2.EA]	54	2302700	SPRING-RELEASE LEVER	96	2302730	SPRING-LONG-UPPER PEDAL [2.EA]
19	990-067 WASHER- STEEL THRUST	55	2303710	LEVER-RELEASE	97	2302731	SPRING-SHORT-UPPER PEDAL
20	990-070 WASHER - NYLATRON	56	2300101	RELEASE-KNOB	98	2302732	SPRING-LOWER PEDAL
21	2098032 MOTOR ASSEMBLY 24V 3.625 VARS FW	57	2301700	SPACER-RELEASE LEVER	99	2304012	CONTROL BOARD ASSEMBLY-FT PDL
25	2032075 TUBE-CARBON COMPOSITE 48"	58	2303430	SCREW-1/4-20 X 5/8	100	2300120	KNOB-SPEED SELECTOR
■	1378122 PROPELLER KIT	59	2031522	COLLAR- DRIVE (W/INSERT)	101	2300121	HOUSING SPEED SELECTOR
26	2091150 PROPELLER W/WEDGE	60	2011365	SCREW-COLLAR/NEW KNOB	102	2302840	ACTUATOR-BOARD
27	2151726 WASHER-5/16 SS	61	2304042	CTRL BOARD ASSEMBLY-24V PD/AP	103	2302841	ACTUATOR-MOM/CON
28	2053101 NUT-PROP NYLOC 5/16 SS	62	2355410	SHRINK TUBE-3/8 ODX2	105	2302842	ACTUATOR-STEERING
29	2092600 PIN-DRIVE	64	2332100	SCREW-8-32 X 3/8 MACHINE [3.EA]	106	2302100	SCREW-6-20 X 1/2 [5.EA]
30	2301545 COLLAR- LATCH PD/AP	65	2090601	LEADWIRE 10 GA 44"	107	2372100	SCREW-8-18 X 5/8 [5.EA]
31	2303434 SCREW- 8-32X5/8 MACH PHCR	66	2020700	TERMINAL RING [2.EA]	108	2266610	DECAL-ON/OFF SWITCH
32	2303112 NUT 8-32 NYLOC SS	67	2222906	STRAIN RELIEF- BRACKET PD/AP	109	2335130	BUMPER ACTUATOR
33	2301932 EXTRUSION- BASE MACHINED	68	2303430	SCREW-1/4-20 X 5/8	110	2994807	BAG ASSEMBLY- 4 RUBBER BUMPERS
34	2303932 MOTOR REST- RIGHT LARGE 3-5/8	69	2306555	HOUSING- CENTER PD/AP	■	2994803	BAG ASSEMBLY- (BOLT,NUT,WASHERS)
35	2303937 MOTOR REST- LEFT LARGE 3-5/8	70	2034026	BATTERY GAUGE - 24 VOLT	*111	2153501	BOLT-MOUNTING-3500 W/STG [4.EA]
36	2303430 SCREW 1/4-20X5/8 SELF TAP [4.EA]	71	2306609	DECAL, BATTERY GAUGE	*112	2151726	WASHER-5/16 [4.EA]
37	2301845 DRIVE HOUSING PD/AP 2001	72	2302935	STRAIN RELIEF-DR. HOUSING	*113	2153100	NUT-5/16-18 MOUNTING [4.EA]
38	2303405 SCREW- DRIVE HOUSING [6.EA]	73	2303943	SIDEPLATE (RIGHT) PONTOON	*114	2301720	WASHER-MOUNTING RUBBER [6.EA]

****Seal & Oring Kit P/N 2888460**

* This item is part of an assembly. This item cannot be sold separately due to machining and /or assembly that is required.

P/N

2314926

REVA 4-01

64 Pontoon Wiring Diagram

