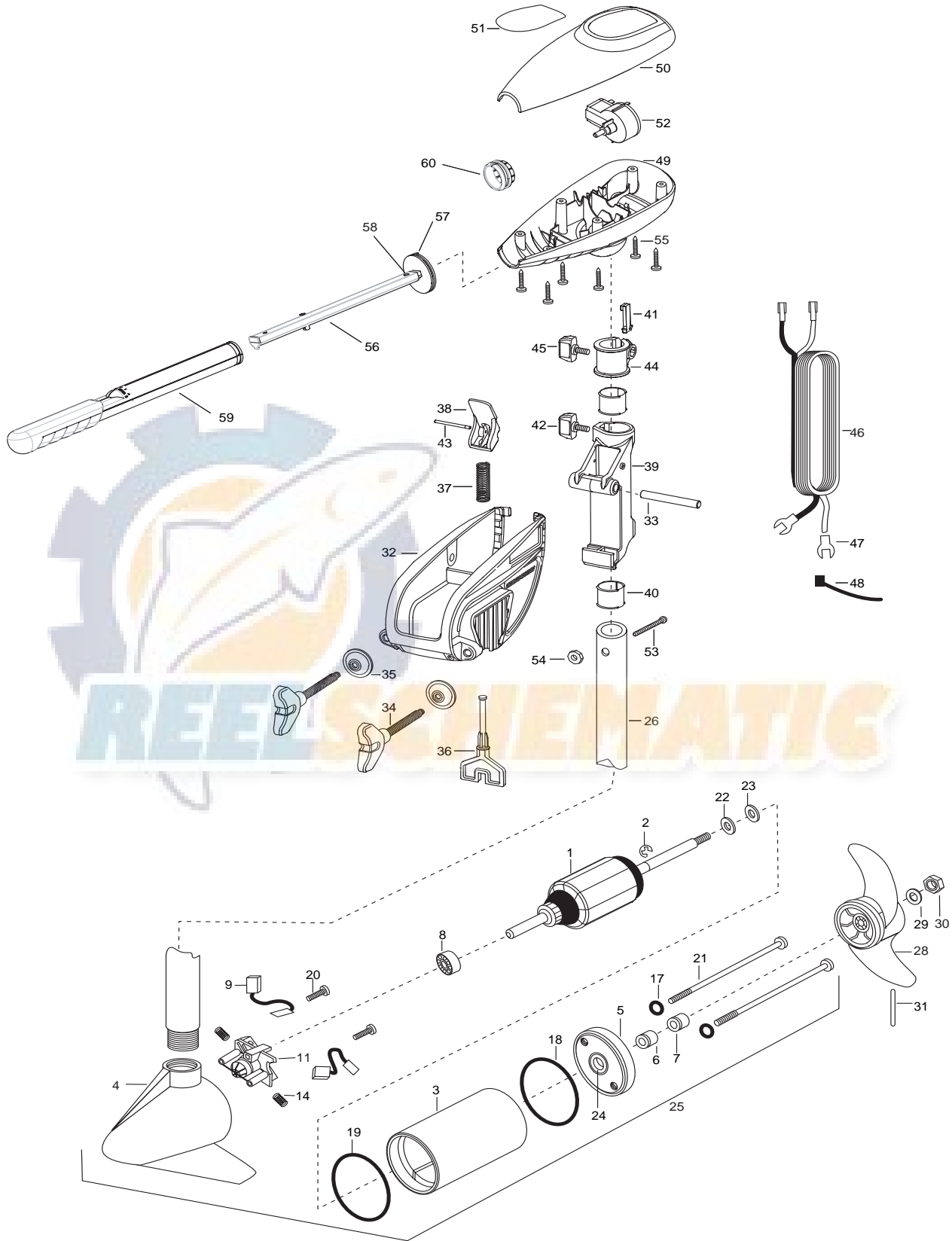


ENDURA 34
34 lbs Thrust
36" Shaft
12 volt 32 amps

for use with "AH" serial numbers
2-year warranty from the date of purchase



| | | | | | | | | |
|----|-----------|---------------------------------------|-----|---------|--|----|---------|-----------------------|
| 1 | 2-100-277 | ARMATURE ASSEMBLY 12v 3.25 | ■ | 2771818 | BRACKET & HINGE ASSEMBLY (INCLUDES- 32—43) | 56 | 2990919 | INNER HANDLE ASSEMBLY |
| 2 | 788-015 | RETAINING RING | ■ | 2771910 | BRACKET ASSEMBLY (INCLUDES- 32,34,35) | 57 | 2060405 | PIVOT, HANDLE |
| 3 | 2-200-177 | HOUSING ASSEMBLY CENTER 3.25 TXT | *32 | 2061910 | BRACKET | 58 | 2012102 | SCREW |
| 4 | 2-300-142 | BRUSH END HOUSING ASSEMBLY 3.25 SP.CO | 33 | 2060510 | PIN-HINGE | 59 | 2990929 | OUTER HANDLE ASSEMBLY |
| 5 | 2-400-127 | PLAIN END HOUSING ASSEMBLY 3.25 | *34 | 2061300 | SCREW-CLAMP [2.EA] | 60 | 2060009 | FRONT BEARING |
| 6 | 880-003 | SEAL | *35 | 2011710 | WASHER-CLAMP SCREW [2.EA] | ■ | 2883460 | SEAL AND O RING KIT |
| 7 | 880-006 | SEAL W/SHIELD | 36 | 2063605 | T-BAR, PLASTIC | | | |
| 8 | 140-010 | BALL BEARING | 37 | 2062706 | SPRING- (T-BAR) | | | |
| 9 | 188-052 | BRUSH ASSEMBLY [2.EA] | 38 | 2067201 | LEVER-TILT BLACK | | | |
| 11 | 738-030 | BRUSH PLATE W/HOLDER 3.25 | 39 | 2061810 | HINGE-PLASTIC | | | |
| 14 | 975-032 | SPRING- COMPRESSION [2.EA] | 40 | 2037301 | BUSHING-HINGE [2.EA] | | | |
| 17 | 701-007 | O-RING- THRU BOLT [2.EA] | 41 | 2062800 | TENSION BLOCK-SNAP IN | | | |
| 18 | 701-039 | O-RING MK406460 | 42 | 2011385 | SCREW, TENSION/KNOB | | | |
| 19 | 701-041 | O-RING | 43 | 2060515 | PIN, TILT LEVER | | | |
| 20 | 830-001 | SCREW- SELF THREAD 8-32X1.7 [2.EA] | 44 | 2061520 | COLLAR-DEPTH | | | |
| 21 | 830-076 | THRU BOLT 8-32X8.0 [2.EA] | 45 | 2011365 | SCREW-COLLAR/NEW KNOB | | | |
| 22 | 990-067 | WASHER- STEEL THRUST | 46 | 2020606 | LEADWIRE (14 GA) W/SPADE TERM | | | |
| 23 | 990-070 | WASHER- NYLATRON [2.EA] | 47 | 2020703 | SPADE TERMINAL 14GA HD [2.EA] | | | |
| 24 | 144-049 | FLANGE BEARING (SERVICE ONLY) | 48 | 2026300 | TIE WRAP | | | |
| 25 | 2069261 | MOTOR ASSEMBLY 12V 3.25 5SPC TXT | 49 | 2062510 | CONTROL BOX | | | |
| 26 | 2032046 | TUBE, COMPOSITE 36" | 50 | 2060214 | CONTROL BOX COVER | | | |
| ■ | 1378121 | PROP W/DRIVE PIN, WASHER, NUT KIT | 51 | 2065644 | DECAL COVER ENDURA 34 | | | |
| 28 | 2061122 | PROPELLER 3.25 HUB DIA | 52 | 2064023 | SWITCH-FWD/REV 5 SP | | | |
| 29 | 2151726 | WASHER- 5/16 STD SS | 53 | 2033401 | SCREW-10-24 X 1-3/4 | | | |
| 30 | 2053101 | NUT-PROP NYLOCK (MED) SS | 54 | 2013110 | NUT-10-24 HEX | | | |
| 31 | 2092600 | PIN-DRIVE | 55 | 2012100 | SCREW-8-18 X 5/8 [6.EA] | | | |

* This item is part of an assembly. This item cannot be sold separately due to machining and /or assembly that is required.

P/N 2064930 REV. G 11-06

