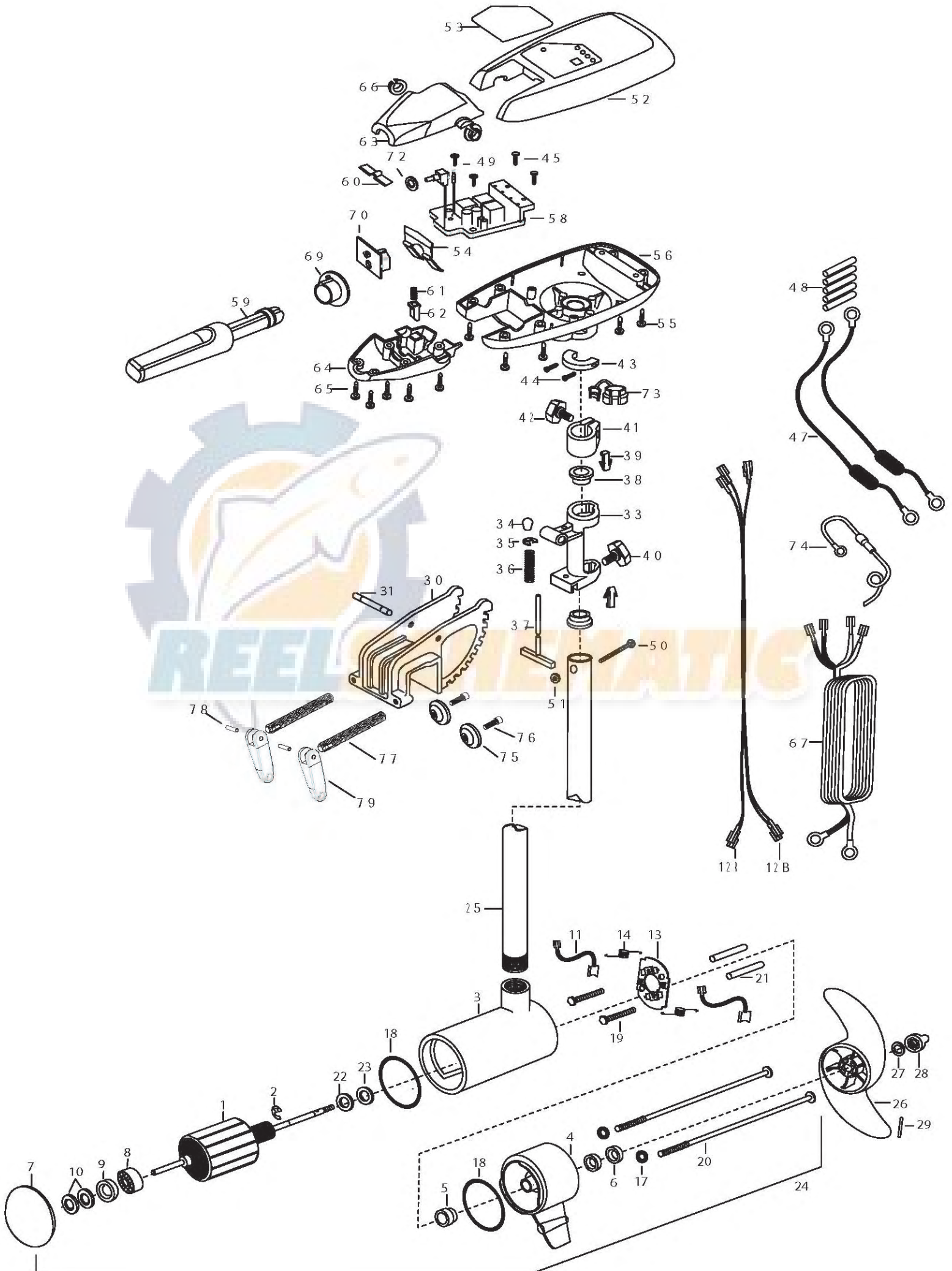


Riptide 101/T
101 lbs Thrust
36 Volt 46 Amp
52" Shaft

for use with "AI" serial numbers
3-year warranty from the date of purchase



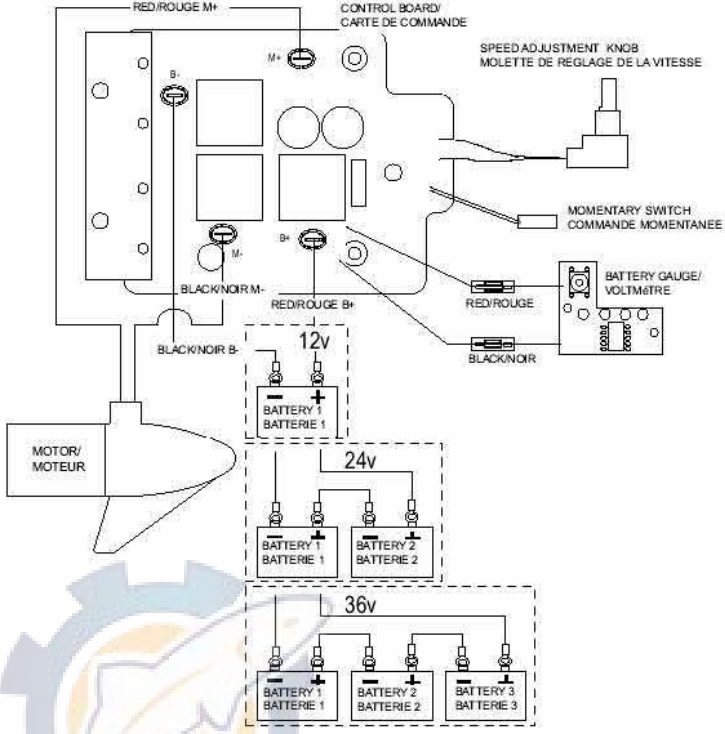
| | | | | | | | | |
|-----|-----------|---|----|---------|------------------------------------|----|---------|----------------------------------|
| 1 | 2-100-216 | ARMATURE ASSEMBLY 36V VARS SW | 29 | 2262658 | PIN-DRIVE SS | 59 | 2990915 | HANDLE ASSEMBLY W/O U-JOINT |
| 2 | 788-040 | RETAINING RING | ■ | 2991830 | BRACKET & HINGE ASSEMBLY (SW) | 60 | 2302742 | SPRING-DETENT (OFF) SS |
| 3 | 431-310 | CENTER HOUSING ASSEMBLY- 4.0 SW TXT WHT | 30 | 2031934 | BRACKET DIE CAST SW WHITE 10P | 61 | 2302745 | SPRING-RELEASE BUTTON SS |
| 4 | 2-300-340 | BRUSH END HOUSING ASSEMBLY 4 SW WHT | 31 | 2010512 | PIN-DRIVE LOK 3/8X2-1/2 SS | 62 | 2303720 | RELEASE BUTTON-HANDLE |
| 5 | 144-017 | BEARING -FLANGE (SERVICE ONLY) | 33 | 2031856 | HINGE-MACH SS RT WHITE | 63 | 2060411 | HANDLE (TOP HALF) MAXIMIZE |
| 6 | 880-025 | SEAL [2.EA] | 34 | 2010100 | KNOB-TILT | 64 | 2060415 | HANDLE (LOWER HALF) |
| 7 | 421-376R | PLAIN END HOUSING ASSEMBLY 4.0 WHT | 35 | 2333001 | E-RING- SS | 65 | 2303412 | SCREW-6-20 X 5/8 SELF TAP [5.EA] |
| 8 | 140-010 | BALL BEARING | 36 | 2332700 | SPRING- (T-BAR) SS | 66 | 2060005 | BEARING-HANDLE PIVOT [2.EA] |
| 9 | 990-045 | THRUST SPACER | 37 | 2033601 | T-BAR (E-COAT) | 67 | 2050609 | LEADWIRE (10 GA) RINGS |
| 10 | 992-010 | SPRING WASHER [2.EA] | 38 | 2037301 | BUSHING-HINGE [2.EA] | 69 | 2992852 | ACTUATOR-CAM |
| 11 | 188-094 | BRUSH 4" W/TERMINAL [2.EA] | 39 | 2062800 | TENSION BLOCK- "SNAP IN" [2.EA] | 70 | 2184020 | POT ADAPTER |
| 12B | 640-018 | BRUSH WIRE BLACK 10 AWG 62" | 40 | 2011386 | SCREW-TENSION/NEW KNOB SS | 72 | 2181700 | WASHER, SPACER |
| 12R | 640-123 | BRUSH WIRE RED 10 AWG 64" | 41 | 2061520 | COLLAR-DEPTH | 73 | 2052900 | STRAIN RELIEF-C.CORD/SP.C |
| 13 | 738-004 | BRUSH PLATE -4" TERMINAL | 42 | 2011366 | SCREW-COLLAR/NW KNOB SS | 74 | 2340610 | CONNECTOR CABLE 12" |
| 14 | 975-041 | SPRING -TORSION [2.EA] | 43 | 2061517 | COLLAR-CTRL BOX SW WHITE | 75 | 2331700 | WASHER, CLAMP SCREW SS [2.EA] |
| 17 | 701-009 | O-RING -THRU BOLT [2.EA] | 44 | 2263434 | SCREW #8-3/4 PPH TYPE 25 SS [2.EA] | 76 | 2263452 | SCREW 1/4-20 X 3/4 SS [2.EA] |
| 18 | 701-043 | O-RING [2.EA] | 45 | 2043427 | SCREW-8-18 X 7/8 SS [2.EA] | 77 | 2051301 | CLAMP SCREW [2.EA] |
| 19 | 830-027 | SCREW -SELF THREADED 10-32 X 2"[2.EA] | 47 | 2998200 | CIRCUIT BRKR ASSEMBLY,36V- [1.EA] | 78 | 2052625 | PIN-HANDLE |
| 20 | 830-096 | THRU BOLT 12-24 X 11.56" SS [2.EA] | 48 | 2305400 | SHRINK TUBE-3/8 OD X 1-1/ [5.EA] | 79 | 2050925 | HANDLE-SCREW |
| 21 | 973-025 | SPACER -BRUSH PLATE [2.EA] | 49 | 2043427 | SCREW-8-18 X 7/8 SS [2.EA] | ■ | 2991301 | CLAMP SCREW-HANDLE ASSEMBLY |
| 22 | 990-051 | WASHER-STEEL THRUST | 50 | 2263406 | SCREW-#10-24 X 2 (SS) PPH | | | (INCLUDES ITEMS 77,78,79) |
| 23 | 990-052 | WASHER- NYLATRON | 51 | 2333101 | NUT-HEX 10-24 UNC-2B NYLOCK | | | |
| 24 | 2316288 | MOTOR ASSEMBLY 36V VARS WHITE | 52 | 2300219 | COVER- CONTROL BOX (SW) RT WHITE | | | |
| 25 | 2032034 | TUBE (COMPOSITE) 52" WHITE | 53 | 2095685 | DECAL-COVER RT101/B/S | | | |
| ■ | 1378132 | PROPELLER KIT | 54 | 2302743 | SPRING-DETENT HANDLE-TILT | | | |
| 26 | 2331160 | PROPELLER (WW2) | 55 | 2303412 | SCREW-6-20 X 5/8 SELF TAP [6.EA] | | | |
| 27 | 2091701 | WASHER- PROP LARGE MAX | 56 | 2062596 | CONTROL BOX,SW, WHITE .725 BORE | | | 2889460 seal & oring kit |
| 28 | 2198401 | ANODE- ZINC 4.0 LWR UNIT | 58 | 2184005 | CTRL BOARD ASSEMBLY-RT 101 | | | |

* This item is part of an assembly. This item cannot be sold separately due to machining and /or assembly that is required.

P/N 2094913 REV. J 3-08

RipTide 101T is 36-volts only!

wiring diagram for control board #2184003:



wiring diagram for control board #2184005:

