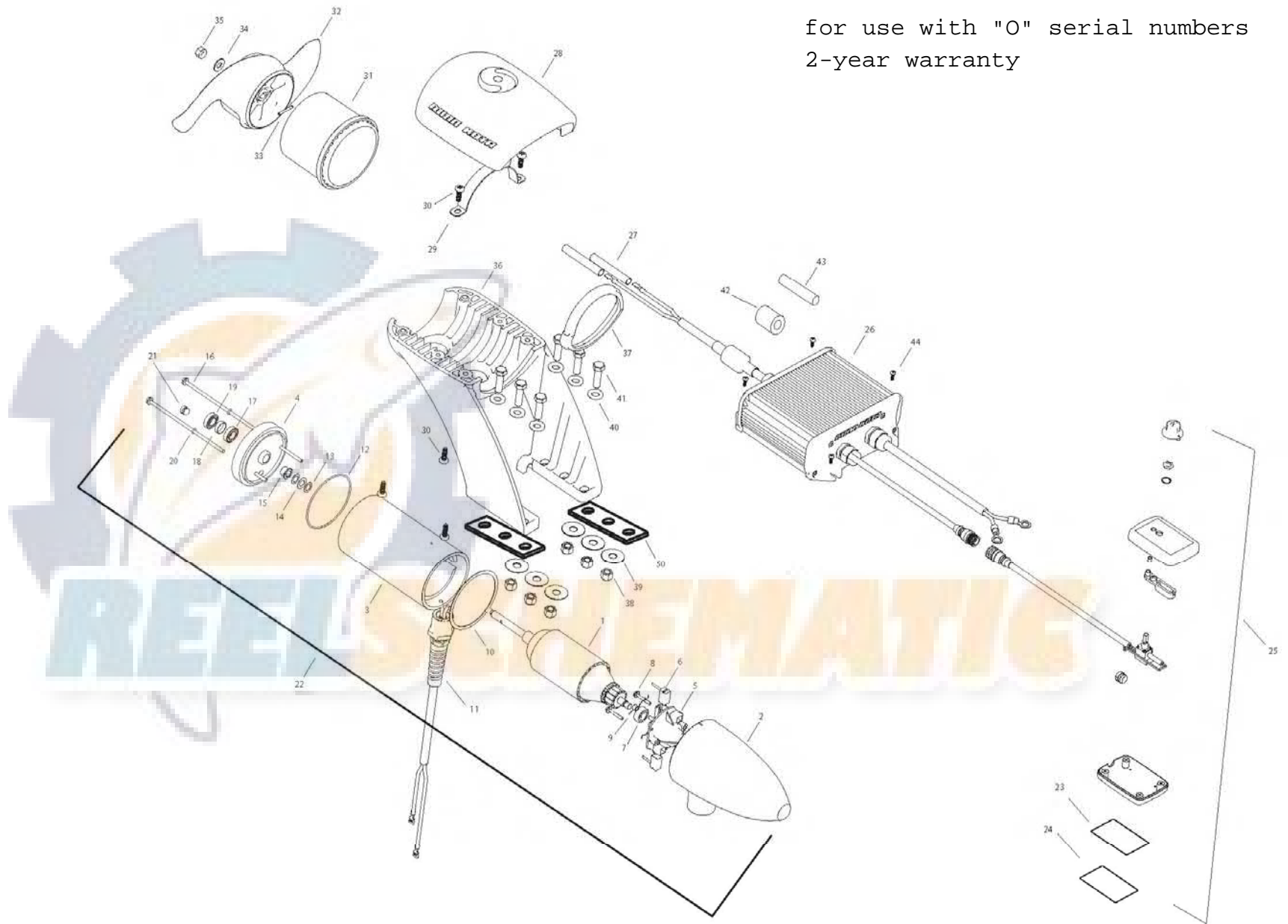


EM 55  
12 VOLT 50 AMPS

for use with "0" serial numbers  
2-year warranty



|    |           |  |
|----|-----------|--|
| 1  | 2-100-207 | ARMATURE 12V 3.6Z                                      |
| 2  | 421-101   | BRUSH END HOUSING                                      |
| 3  | 2-200-101 | CENTER HOUSING ASSEMBLY                                |
| 4  | 2-400-166 | PLAIN END ASSY (CONTAINS 4, 15, 17, 18, 19)            |
| 5  | 2-600-168 | BRUSH PLATE ASSEMBLY (CONTAINS 5, 6, 9)                |
| 6  | 188-036   | BRUSH  |
| 7  | 140-010   | BEARING  |
| 8  | 830-007   | SCREW #8-32  |
| 9  | 975-040   | BRUSH SPRING   |
| 10 | 337-036   | GASKET   |
| 11 | 2772917   | LEADWIRE ASSEMBLY                                      |
| 12 | 701-081   | O-RING   |
| 13 | 990-067   | WASHER STEEL   |
| 14 | 990-070   | WASHER NYLATRON  |
| 15 | 144-049   | FLANGE BEARING   |
| 16 | 830-042   | THRU-BOLT 10-32 X 8.83                                 |
| 17 | 880-003   | SEAL   |
| 18 | 725-035   | PAPER TUBE   |
| 19 | 880-006   | SEAL WITH SHIELD                                       |
| 20 | 701-008   | O-RING THRUBOLT  |
| 21 | 836-001   | ALUMINUM PLUG  |
| 22 | 2387102   | MOTOR ASSY 12V 3.625 55#                               |
| 23 | 9950953   | VELCRO 1.5 X 2.0 LOOP                                  |
| 24 | 9950950   | VELCRO 1.5 X 2.0 HOOK                                  |
| 25 | 2990241   | HAND CONTROLLER  |
| 26 | 2990246   | CONTROL MODULE   |
| 27 | 2385401   | SHRINK TUBE [2 EA]                                     |
| 28 | 2380210   | TOP CAP  |
| 29 | 2383810   | STRAP, EM  |
| 30 | 2383418   | SCREW 1/4-20 SELF TAPPING [6 EA]                       |
| 31 | 2381535   | ADAPTER RING, REAR                                     |
| ■  | 1378170   | PROP KIT   |
| 32 | 2091170   | PROPELLER  |
| 33 | 2092600   | DRIVE PIN  |
| 34 | 2151726   | WASHER 5/16, PROP                                      |
| 35 | 2053101   | NUT, PROP  |
| 36 | 2381940   | LOWER BRACKET  |
| 37 | 2381530   | ADAPTER RING, FRONT                                    |
| 38 | 2383122   | NUT 3/8-16 NYLOCK [6EA]                                |
| 39 | 2381726   | WASHER FENDER 3/8 X 1 1/4 OD [3 EA]                    |
| 40 | 2381728   | WASHER 3/8 [3 EA]                                      |
| 41 | 2383422   | SCREW 3/8 X 1 1/4 [6EA]                                |
| 42 | 2307310   | FERRITE BEAD (EUROPEAN MOTORS ONLY)                    |
| 43 | 2075401   | HEATSHRINK (EUROPEAN MOTORS ONLY)                      |
| 44 | 2373427   | SCREW #12 X 5/8 [4 EA]                                 |
| 50 | 2385110   | INSULATOR PAD, EM [2 EA]                               |
| ■  | 2994856   | BAG ASSY (CONTAINS 38-41,27,23,24,44, 50, & TIE WRAPS) |

