

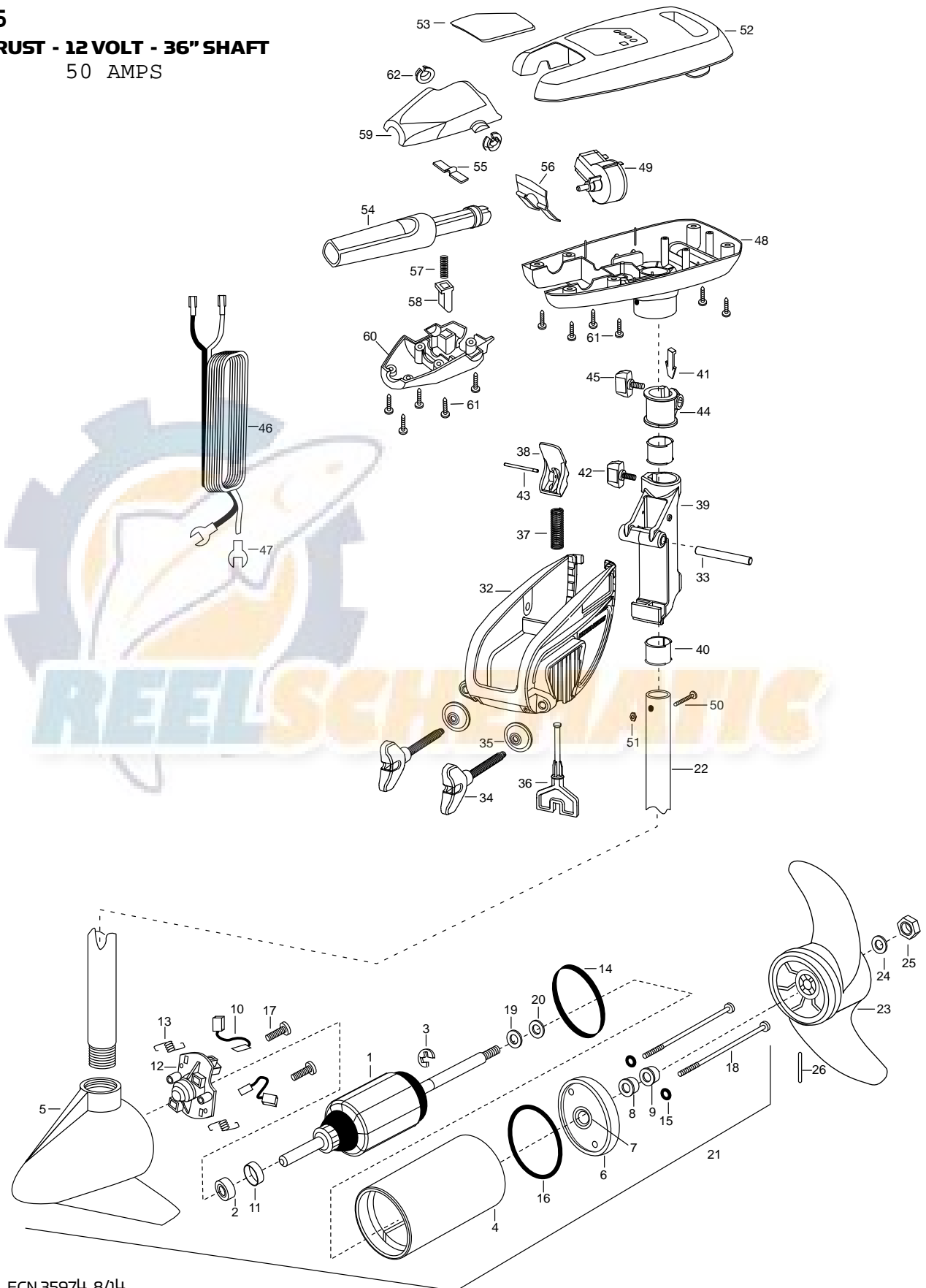
PARTS DIAGRAM

for use with "P" serial numbers 2-year warranty

CAMO 55

55 LBS THRUST - 12 VOLT - 36" SHAFT

50 AMPS



PARTS LIST

CAMO 55

55 LBS THRUST - 12 VOLT - 36" SHAFT

ITEM	QTY	PART NUMBER	DESCRIPTION
1	1	2-100-117	ARMATURE ASSEMBLY 12V 3.62 FW
2	1	140-010	RADIAL BEARING
3	1	788-015	RETAINING RING
4	1	2-200-101	CENTER HOUSING ASSEMBLY
5	1	2-300-196	BRUSH END HOUSING ASSEMBLY 3.62 SPCO 36"
6	1	2-400-101	PLAIN END HOUSING ASSEMBLY
7	1	144-049	FLANGE BEARING (SERVICE ONLY)
8	1	880-003	SEAL
9	1	880-006	SEAL W/SHIELD
10	2	188-036	BRUSH ASSEMBLY
11	1	725-050	BRUSH RETENTION – PAPER TUBE
12	1	738-036	BRUSH PLATE WITH HOLDER
13	2	975-040	TORSION SPRING
14	1	337-036	GASKET
15	2	701-008	O-RING
16	1	701-081	O-RING
17	2	830-007	SCREW – #8-32
18	2	830-042	THRU BOLT #10-32X8.83
19	1	990-067	WASHER – STEEL THRUST
20	1	990-070	WASHER – NYLATRON
21	1	2097075	MOTOR ASSEMBLY 12V 3.62 55PC FW 36"
22	1	2067717	COMPOSITE 36" COMPOSITE TUBE
■	1	1378170	PROPELLER KIT
23	1	2091170	POWER PROPELLER 3-5/8"
24	1	2151726	WASHER – 5/16 STD SS
25	1	2053101	NUT – NYLOC 5/16
26	1	2092600	DRIVE PIN
■	1	2771810	BRACKET & HINGE ASSEMBLY
■	1	2771910	BRACKET ASSEMBLY (INCLUDES 32, 34, 35)
32	1	2061910	BRACKET
33	1	2060510	HINGE PIN

ITEM	QTY	PART NUMBER	DESCRIPTION
*34	2	2061300	SCREW – CLAMP
*35	2	2011710	WASHER – CLAMP
■	1	2881300	SCREW – CLAMP, WASHER, RETAINER KIT
36	1	2063605	PLASTIC T-BAR
37	1	2062706	T-BAR SPRING
38	1	2067201	BLACK TILT LEVER
39	1	2061810	PLASTIC HINGE
40	2	2037301	HINGE BUSHING
41	1	2062800	SNAP-IN TENSION BLOCK
42	1	2011385	SCREW – TENSION
43	1	2060515	TILT LEVER PIN
44	1	2031520	DEPTH COLLAR
45	1	2011365	SCREW – COLLAR/NEW KNOB
46	1	2050609	LEADWIRE 10 GA SPADE TERM
47	2	2020702	SPADE TERMINAL 10GA.
48	1	2067712	CONTROL BOX CAMO 55
49	1	2064028	SWITCH – FWD/REV 5 SP
50	1	2033400	SCREW – #10-24 X 1-3/4
51	1	2013110	NUT – 10-24 HEX
52	1	2060287	CONTROL BOX COVER
53	1	2035624	CONTROL BOX COVER DECAL CAMO 55XL
54	1	2990953	INNER HANDLE ASSEMBLY
55	1	2302742	DETENT SPRING, OFF
56	1	2302743	HANDLE DETENT SPRING
57	1	2302745	RELEASE BUTTON SPRING
58	1	2303720	HANDLE RELEASE BUTTON
59	1	2067714	HANDLE TOP
60	1	2067713	HANDLE LOWER
61	11	2303412	SCREW – #6-20 X 5/8 SELF-TAP
62	2	2060005	HANDLE PIVOT BEARING
■	1	2888460	SEAL AND O-RING KIT

■ THIS ITEM IS PART OF AN ASSEMBLY.

*THIS ITEM IS PART OF A KIT AND ONLY LISTED FOR VIEWING PURPOSES.

MOTOR WIRING DIAGRAM

