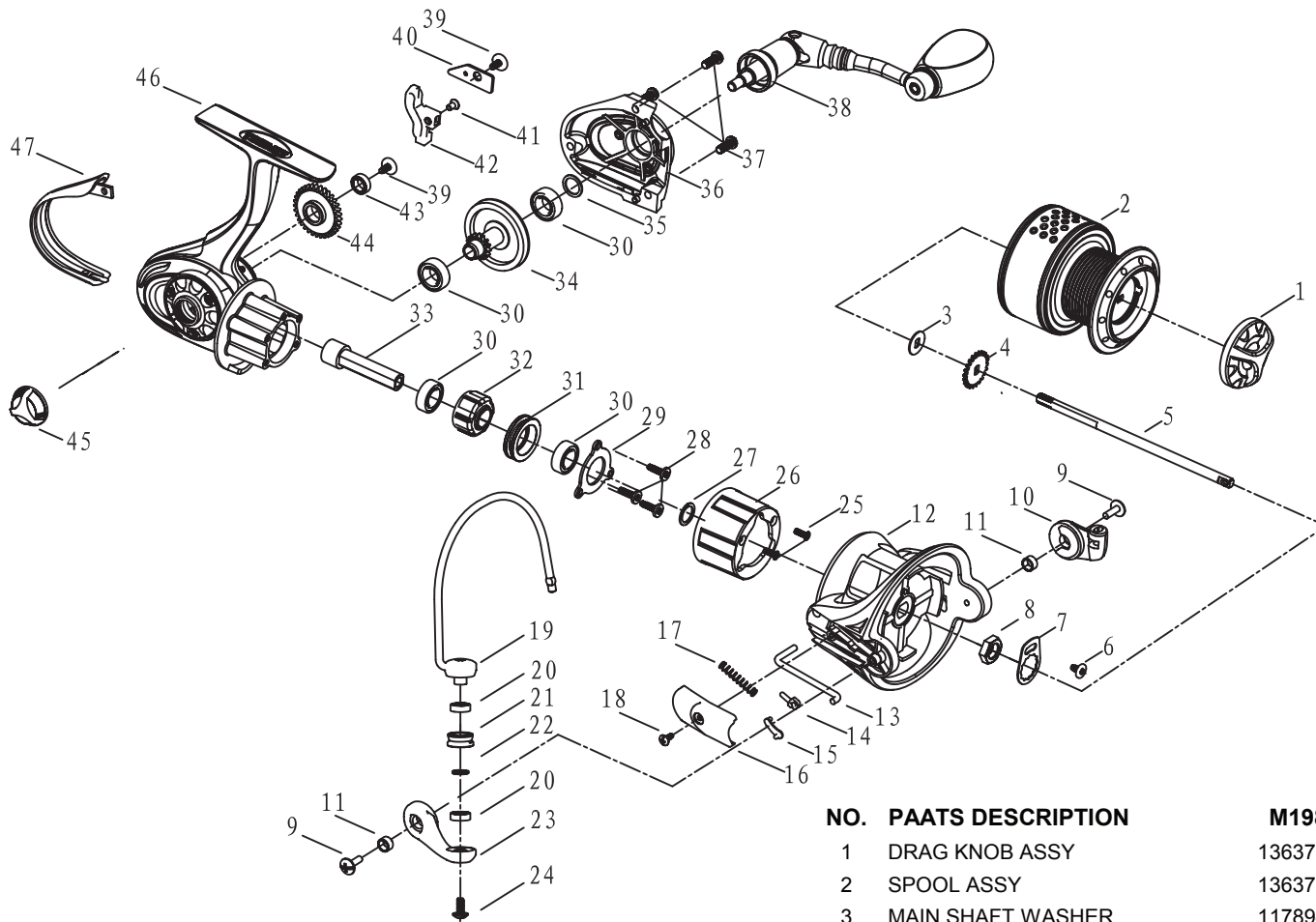


MITCHELL®

Model M198



NO.	PAATS DESCRIPTION	M198
1	DRAG KNOB ASSY	1363783
2	SPOOL ASSY	1363784
3	MAIN SHAFT WASHER	1178949
4	MAIN SHAFT RATCHET	1126316
5	MAIN SHAFT	1363785
6	ROTOR RETAINER SCREW	1131700
7	ROTOR RETAINER PLATE	1308695
8	ROTOR NUT	1085273
9	ROTOR ARM SCREW(2)	1309754
10	BAIL HOLDER	1308696
11	BUSHING(2)	1188261
12	ROTOR	1363786
13	BAIL TRIP LEVER	1308698
14	BAIL ARM SPRING GUIDE	1126272
15	BAIL ARM SPRING SHAFT	1252713

NO.	PAATS DESCRIPTION	M198
16	BAIL ARM COVER	1313033
17	BAIL ARM SPRING	1363787
18	BAIL ARM COVER SCREW	1125962
19	BAIL WIRE	1308700
20	LINE ROLLER BALL BEARING(2)	1259605
21	LINE ROLLER	1252705
22	ROLLER WASHER	1110165
23	BAIL ARM	1308701
24	ROLLER SCREW	1126261
25	BODY HEAD COVER SCREW(2)	1126267
26	BODY HEAD COVER	1363788
27	ONE WAY CLUTCH WASHER	1114764
28	ONE WAY CLUTCH SCREW(3)	1277044
29	ONE WAY CLUTCH COVER	1363909
30	BALL BEARING(4)	1363910
31	ONE WAY CLUTCH SUPPORT	1280475
32	ONE WAY CLUTCH ASSY	1277094
33	PINION GEAR	1363911
34	MAIN GEAR	1252725
35	MAIN GEAR WASHER	1114764
36	SIDE COVER ASSY	1363912
37	SIDE COVER SCREW(3)	1363913
38	HANDLE ASSY	1363914
39	SCREW(2)	1277071
40	SLIDE CLIP	1121651
41	SLIDE SCREW	1126454
42	SLIDE	1279756
43	OSCILLATION GEAR BALL BEARING	1085326
44	OSCILLATION GEAR	1253701
45	HANDLE CAP	1308732
46	MAIN BODY ASSY	1363915
47	REAR COVER	1363916

MIT SP 198 00