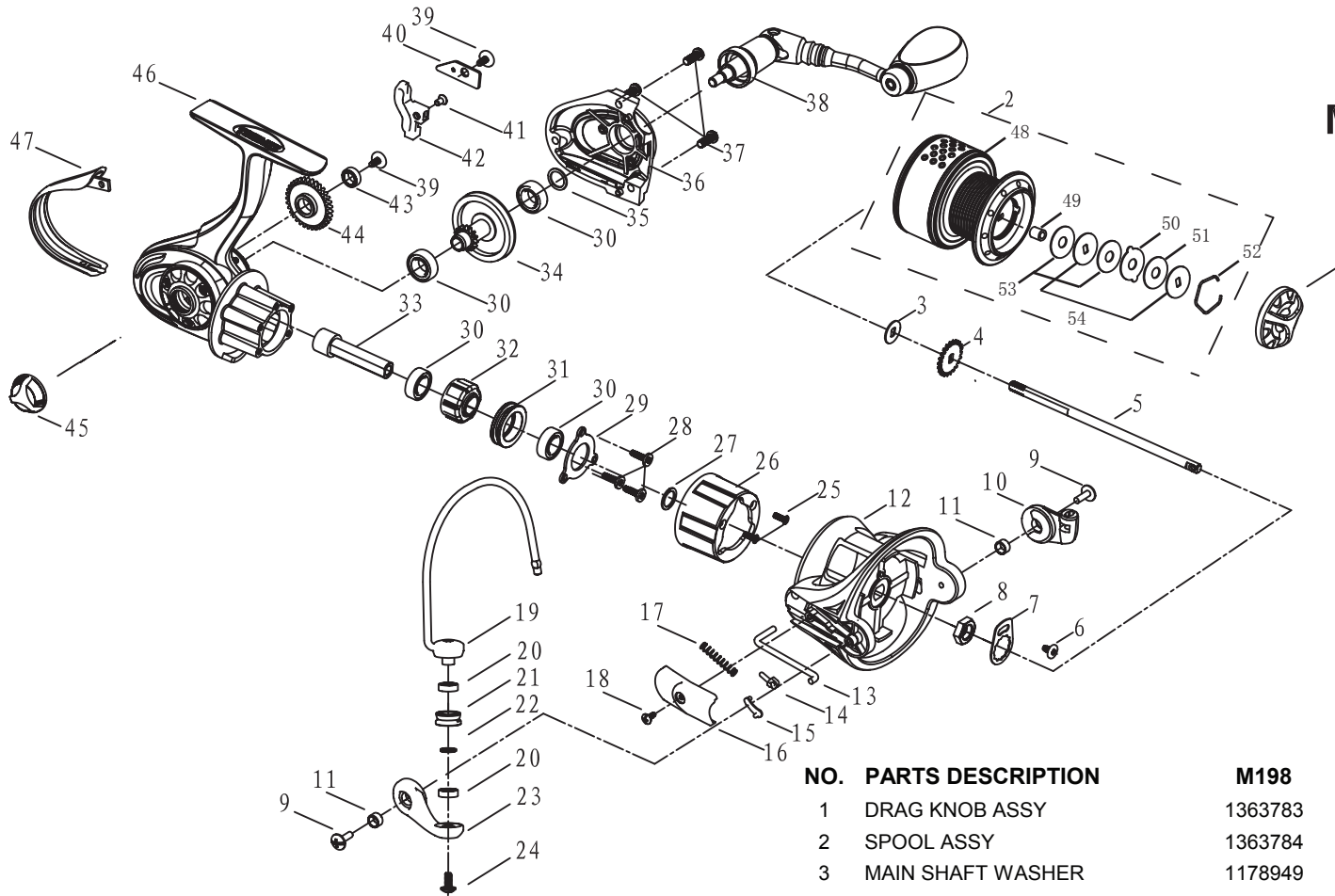


## Model M198



| NO. | PARTS DESCRIPTION               | M198    |
|-----|---------------------------------|---------|
| 19  | BAIL WIRE                       | 1308700 |
| 20  | LINE ROLLER BALL BEARING(2)     | 1259605 |
| 21  | LINE ROLLER                     | 1252705 |
| 22  | ROLLER WASHER                   | 1110165 |
| 23  | BAIL ARM                        | 1308701 |
| 24  | ROLLER SCREW                    | 1126261 |
| 25  | BODY HEAD COVER SCREW(2)        | 1126267 |
| 26  | BODY HEAD COVER                 | 1363788 |
| 27  | ONE WAY CLUTCH WASHER           | 1114764 |
| 28  | ONE WAY CLUTCH SCREW(3)         | 1277044 |
| 29  | ONE WAY CLUTCH COVER            | 1363909 |
| 30  | BALL BEARING(4)                 | 1363910 |
| 31  | ONE WAY CLUTCH SUPPORT          | 1280475 |
| 32  | ONE WAY CLUTCH BEARING ASSEMBLY | 1498740 |
| 33  | PINION GEAR                     | 1363911 |
| 34  | MAIN GEAR                       | 1252725 |
| 35  | MAIN GEAR WASHER                | 1114764 |
| 36  | SIDE COVER ASSY                 | 1363912 |
| 37  | SIDE COVER SCREW(3)             | 1363913 |
| 38  | HANDLE ASSY                     | 1363914 |
| 39  | SCREW(2)                        | 1277071 |
| 40  | SLIDE CLIP                      | 1121651 |
| 41  | SLIDE SCREW                     | 1126454 |
| 42  | SLIDE                           | 1279756 |
| 43  | OSCILLATION GEAR BALL BEARING   | 1085326 |
| 44  | OSCILLATION GEAR                | 1253701 |
| 45  | HANDLE CAP                      | 1308732 |
| 46  | MAIN BODY ASSY                  | 1363915 |
| 47  | REAR COVER                      | 1363916 |
| 48  | SPOOL                           | 1417632 |
| 49  | SPOOL BUSHING                   | 1417633 |
| 50  | EARED WASHER                    | 1085297 |
| 51  | DRAG FRICTION WASHER            | 1277089 |
| 52  | DRAG WASHER RETAINER            | 1277085 |
| 53  | FELT WASHER(2)                  | 1252752 |
| 54  | KEY WASHER(2)                   | 1085296 |

| NO. | PARTS DESCRIPTION     | M198    |
|-----|-----------------------|---------|
| 1   | DRAG KNOB ASSY        | 1363783 |
| 2   | SPOOL ASSY            | 1363784 |
| 3   | MAIN SHAFT WASHER     | 1178949 |
| 4   | MAIN SHAFT RATCHET    | 1126316 |
| 5   | MAIN SHAFT            | 1363785 |
| 6   | ROTOR RETAINER SCREW  | 1131700 |
| 7   | ROTOR RETAINER PLATE  | 1308695 |
| 8   | ROTOR NUT             | 1085273 |
| 9   | ROTOR ARM SCREW(2)    | 1309754 |
| 10  | BAIL HOLDER           | 1308696 |
| 11  | BUSHING(2)            | 1188261 |
| 12  | ROTOR                 | 1363786 |
| 13  | BAIL TRIP LEVER       | 1308698 |
| 14  | BAIL ARM SPRING GUIDE | 1126272 |
| 15  | BAIL ARM SPRING SHAFT | 1252713 |
| 16  | BAIL ARM COVER        | 1313033 |
| 17  | BAIL ARM SPRING       | 1363787 |
| 18  | BAIL ARM COVER SCREW  | 1125962 |