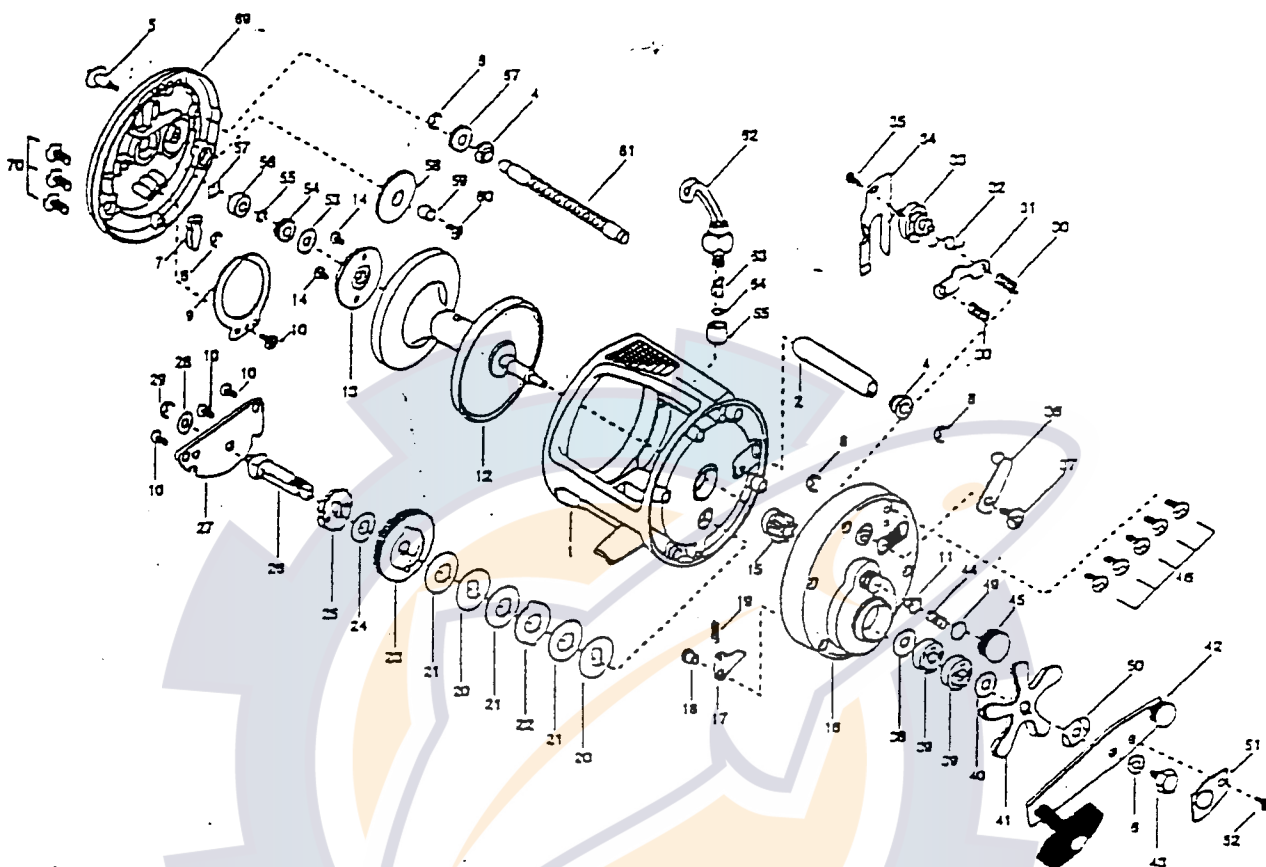


MITCHELL

OR30BT,OR45BT



Item	OR30BT	OR45BT	Description	Item	OR30BT	OR45BT	Description
1	888-3411	888-3412	MAIN BODY ASSEMBLY	36	888-3450	888-3451	CLUTCH PLATE ASSEMBLY
2	888-3413	888-3414	LEVEL WIND GUARD	37	888-3452		CLUTCH PLATE SCREW
4	888-3415		WORM SHAFT BUSHING	38	888-3453		DRAG SPRING WASHER
5	888-3416		CLICK BUTTON	39	888-3454		DRIVE GEAR SHAFT BUSHING
6	888-3417		HANDLE NUT- WASHER	40	888-3455		WASHER
7	888-3418		CLICK PAWL	41	888-3456		STAR DRAG
8	888-3419		E-RETAINER	42	888-3457		HANDLE ASSEMBLY
9	888-3420		CLICK PAWL SPRING	43	888-3458		HANDLE NUT
10	888-3421		CLICK PAWL SPRING-SCREW	44	888-3459		COMPRESSION SPRING
11	888-3422		MAIN SHAFT BUSHING	45	888-3460		CAST CONTROL CAP
12	888-3423	888-3424	SPOOL ASSEMBLY	46	888-3461		RIGHT SIDE PLATE SCREW
13	888-3425		CLICK GEAR	49	888-3462		SPACER (A)
14	888-3426		CLICK GEAR SCREW	50	888-3463		FRICTION WASHER
15	888-3427		PINION GEAR	51	888-3464		HANDLE NUT RETAINER
16	888-3428	888-3429	RIGHT SIDE PLATE	52	888-3465		HANDLE NUT RETAINER SCREW
17	888-3430		ANTI-REVERSE PAWL	53	888-3472		LEVEL WIND GEAR WASHER
18	888-3431		ANTI-REVERSE PAWL PIN	54	888-3473		LEVEL WIND GEAR (A)
19	888-3432		ANTI-REVERSE PAWL SPRING	55	888-3474		C-RETAINER
20	888-3433		KEY WASHER	56	888-3466		SPOOL SHAFT BUSHING
21	888-3434		DRAG WASHER	57	888-3467		SPACER (B)
22	888-3435		EARED WASHER	58	888-3475		TRANSMISSION GEAR
23	888-3436		DRIVE GEAR	59	888-3476		TRANSMISSION GEAR BUSHING
24	888-3437		DRIVE GEAR WASHER	60	888-3477		TRANSMISSION GEAR SCREW
25	888-3438		RATCHER ASSEMBLY	61	888-3478	888-3479	WORM SHAFT
26	888-3439		DRIVE GEAR SHAFT	62	888-3480	888-3481	LINE GUIDE ASSEMBLY
27	888-3440	888-3441	HOLD PLATE	63	888-3482		LINE GUIDE PAWL
28	888-3442		DRIVE GEAR SHAFT WASHER	64	888-3483		LINE GUIDE PAWL WASHER
29	888-3443		E-RETAINER	65	888-3484		PAWL CAP
30	888-3444		YOKE SPRING	67	888-3485		LEVEL WIND GEAR (B)
31	888-3445		PINION GEAR YOKE	68	888-3486	888-3487	LINE GUIDE SUPPORT BAR
32	888-3446		CLUTCH BLOCK SPRING	69	888-3468	888-3469	LEFT SIDE PLATE
33	888-3447		CLUTCH CAM	70	888-3470		LEFT SIDE PLATE SCREW
34	888-3448		CLUTCH CAM SLIDER				
35	888-3449		CLUTCH CAM SCREW				