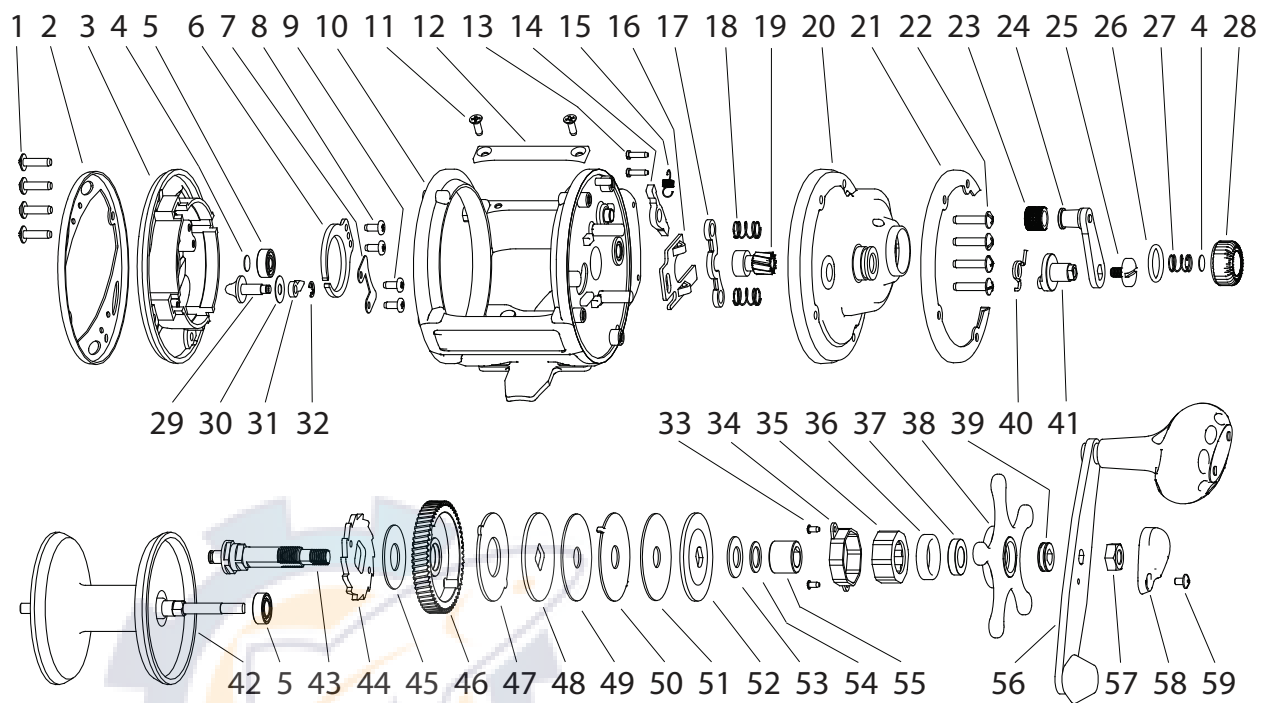




qualia

**Inshore reel series  
TS10 and TS15 Parts**



- |                                  |                               |                           |
|----------------------------------|-------------------------------|---------------------------|
| 1. Left sideplate screw (4)      | 21. Right side edge plate     | 41. Free spool switch cam |
| 2. Left side edge plate          | 22. Right sideplate screw (4) | 42. Spool assembly        |
| 3. Left sideplate                | 23. A/R switch grip           | 43. Drive shaft           |
| 4. Bearing shim (2)              | 24. A/R switch assembly       | 44. Anti reverse ratchet  |
| 5. Spool bearing (2)             | 25. A/R switch screw          | 45. A/R ratchet washer    |
| 6. Click spring                  | 26. Cap seal                  | 46. Main gear             |
| 7. Clicker tip retainer          | 27. Cap spring                | 47. Eared friction washer |
| 8. Click spring screw (2)        | 28. End play adjustment cap   | 48. Keyed drag washer     |
| 9. Retainer screw (2)            | 29. Click switch              | 49. Teflon drag washer    |
| 10. Mainframe                    | 30. Click switch shim         | 50. Bent-ear drag washer  |
| 11. Frame plate screw (2)        | 31. Clicker pawl              | 51. Carbon drag washer    |
| 12. Frame protector plate        | 32. Click switch circlip      | 52. Top keyed washer      |
| 13. Transmission cover screw (2) | 33. Retainer cover screw (2)  | 53. Drag spring washer    |
| 14. A/R pawl                     | 34. Clutch bearing retainer   | 54. Spacer washer         |
| 15. Pawl spring                  | 35. Clutch bearing            | 55. Clutch bearing sleeve |
| 16. Free-spool cam               | 36. Nylon bushing             | 56. Handle assembly       |
| 17. Yoke                         | 37. Brass bushing             | 57. Handle nut            |
| 18. Yoke spring (2)              | 38. Drag star                 | 58. Handle nut retainer   |
| 19. Pinion gear                  | 39. Drag star seal assembly   | 59. Nut retainer screw    |
| 20. Right sideplate              | 40. Free spool switch spring  |                           |