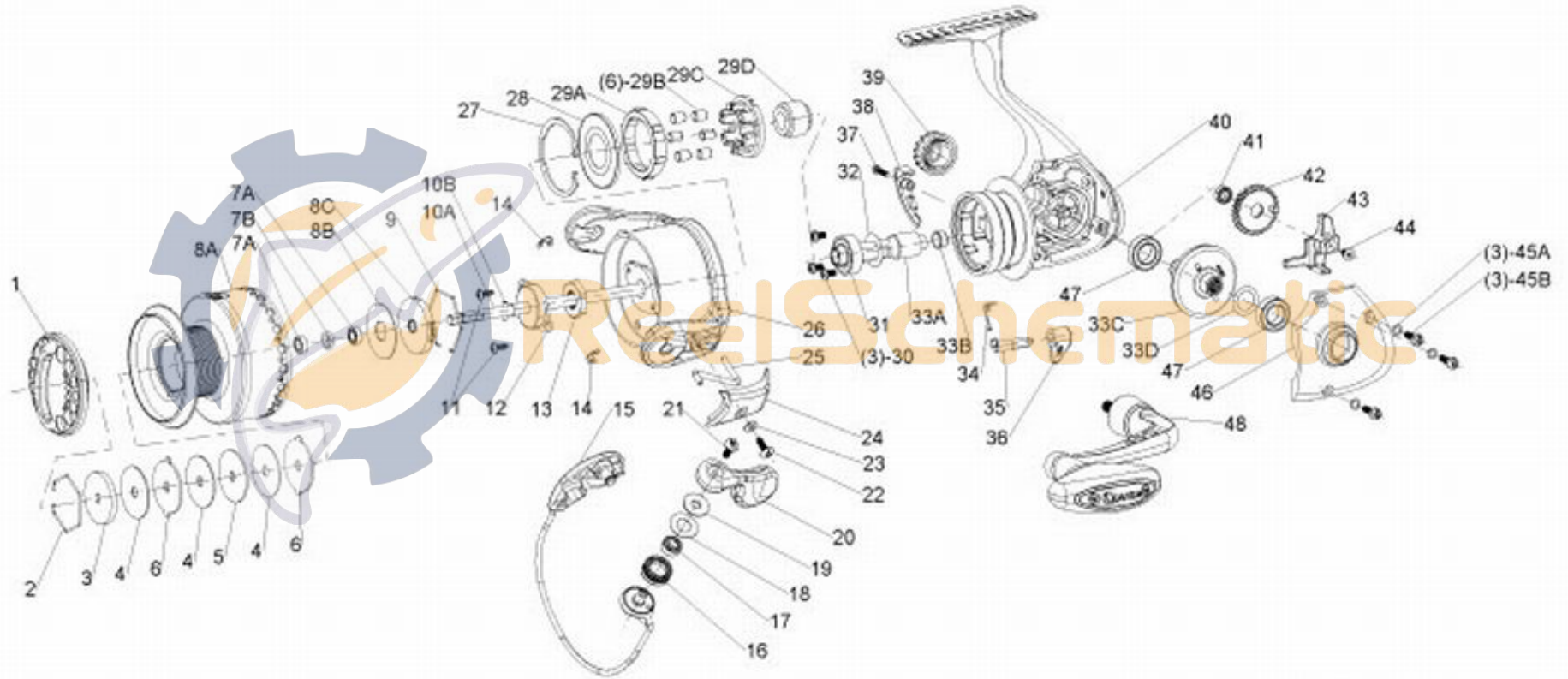


# QUANTUM<sup>®</sup>

## BSP40PTSB



**BOCA CABO SERVICE PARTS DIAGRAM**

BSP 30 PTSB	CSP 30 PTSB
BSP 40 PTSB	CSP 40 PTSB

# QUANTUM<sup>®</sup>

## BSP40PTSB

### Quantum BSP40PTsB Spinning Reel Part List

Key #	Description	Part No.	Key #	Description	Part No.
1	DRAG KNOB ASSEMBLY	AT332-01	23	ARM LEVER COVER WASHER	SQ142-01
2	SPOOL RETAINER - TOP	RQ038-01	24	ARM LEVER COVER	TQ087-01
3	DRAG WASHER "C"	SQ080-01	25	KICK LEVER	TQ019-01
4	DRAG WASHER "B" - FRICTION	RQ033-01	26	ROTOR ASSEMBLY	TQ309-03
5	DRAG WASHER "D"	RQ080-01	27	RETAINER RING - CLUTCH SEAL	TK060-01
6	DRAG WASHER "A"	RQ081-01	28	CLUTCH SEAL ASSEMBLY	TK166-01
7	SPOOL BUSHING OR BEARING KIT	AT4160-01	29	CLUTCH ASSEMBLY KIT	TK4363-03
	7A - SPOOL BUSHING OR BEARING (2)	N/A		29A - CLUTCH LOCK RING	N/A
	7B - SPOOL SPACER	N/A		29B - CLUTCH ROLLER	N/A
8	SPOOL ASSEMBLY KIT	AT4321-52		29C - CLUTCH RETAINER	N/A
	8A - SPOOL ASSEMBLY	N/A		29D - CLUTCH SLEEVE	N/A
	2 - SPOOL RETAINER - TOP	RQ038-01	30	SCREW (3)	TK057-01
	3 - DRAG WASHER "C"	SQ080-01	31	PINION BALL BEARING	UK028-01
	4 - DRAG WASHER "B" - FRICTION	RQ033-01	32	PINION GEAR WASHER	AT110-01
	5 - DRAG WASHER "D"	RQ080-01	33	GEAR KIT	SQ4011-01
	6 - DRAG WASHER "A"	RQ081-01		33A - PINION GEAR	N/A
	7 - SPOOL BUSHING OR BEARING KIT	AT4160-01		33B - PINION BUSHING	N/A
	8B - SPOOL WASHER	N/A		33C - DRIVE GEAR ASSEMBLY	N/A
	8C - DRAG CLICK ASSEMBLY	AT459-01		33D - D.GEAR ADJUST WASHER	N/A
	9 - SPOOL RETAINER - BOTTOM	N/A	34	A/R CAM SPRING	TK089-01
9	SPOOL RETAINER - BOTTOM	AT036-01	35	A/R CAM	BT090-01
10	MAIN SHAFT KIT	AT4015-01	36	A/R LEVER	RQ059-01
	10A - MAIN SHAFT	N/A	37	TRIP RAMP SCREW	AT136-01
	10B - MAIN SHAFT PIN	N/A	38	TRIP RAMP	SQ243-01
11	ROTOR NUT LOCK SCREW	RQ094-01	39	HANDLE COVER - DUST CAP	AT373-01
12	MAIN SHAFT BUSHING	SQ214-01	40	BODY ASSEMBLY	N/A
13	ROTOR NUT	TH006-01	41	O/S GEAR BUSHING OR BEARING	RQ158-01
14	E-CLIP - BAIL ASSEMBLY	GH034-01	42	O/S GEAR	TQ053-01
15	BAIL ASSEMBLY	AT347-02	43	O/S SLIDER	SQ025-01
16	LINE ROLLER	CH004-02	44	MAIN SHAFT SCREW	RQ100-01
17	LINE ROLLER BEARING	GH202-01	45	BODY COVER SCREW KIT	AT4057-01
18	LINE ROLLER WASHER	DH102-01		45A - SCRATCH PROTECT WASHER	N/A
19	LINE ROLLER COLLAR	CH102-01		45B - BODY COVER SCREW	N/A
20	ARM LEVER ASSEMBLY	SQ307-04	46	BODY COVER	SQ023-05
21	SCREW - LINE SLIDER	AQ108-01	47	BODY BALL BEARING	BL157-01
22	A/L COVER SCREW	GU077-02	48	HANDLE ASSY	AT318-04