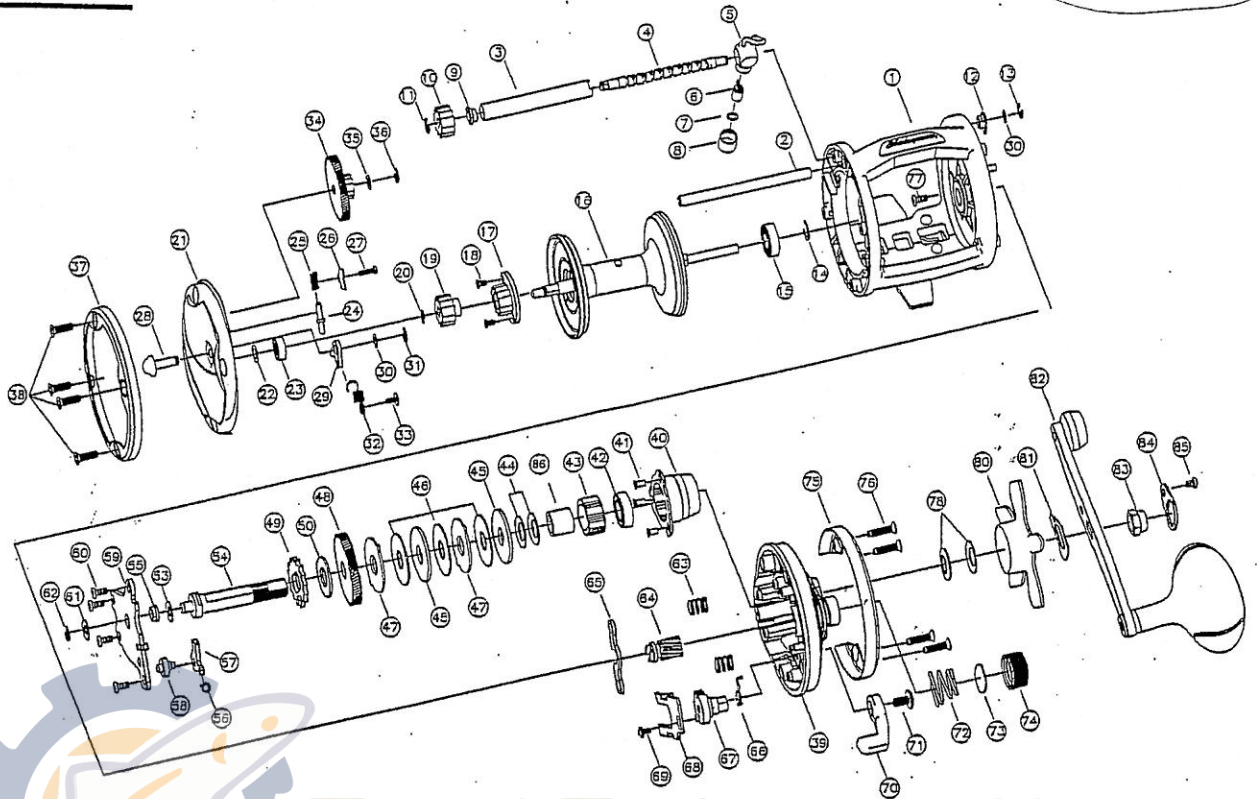


Shakespeare®

ARSENAL  
AR30AL



| NO. | PART NAME              |
|-----|------------------------|
| 1   | FRAME ASSM'            |
| 2   | L-WIND SUPPORT SHAFT   |
| 3   | WORM SHAFT GUIDE       |
| 4   | WORM SHAFT             |
| 5   | LEVEL WIND ASSM'       |
| 6   | LEVEL WIND PAWL        |
| 7   | SPACER                 |
| 8   | LEVEL WIND NUT         |
| 9   | W-SHAFT BUSHING(LEFT)  |
| 10  | IDLERS                 |
| 11  | "E" WASHER             |
| 12  | W-SHAFT BUSHING(RIGHT) |
| 13  | "E" WASHER             |
| 14  | C-RING-B               |
| 15  | BALL BEARING           |
| 16  | SPOOL ASSM'            |
| 17  | CLICK WHEEL            |
| 18  | CLICK WHEEL SCREW      |
| 19  | LEVEL WIND DRIVE GEAR  |
| 20  | C-RING                 |
| 21  | LEFT COVER             |
| 22  | SPOOL SPACER           |
| 23  | BUSHING                |
| 24  | CLICK METAL            |
| 25  | COIL SPRING            |
| 26  | CLICK PLATE            |
| 27  | CLICK METAL SCREW      |
| 28  | CLICK SWITCH           |
| 29  | CLICK PLATE            |

1146818  
1145278  
1145283  
1146781

| NO. | PART NAME            |
|-----|----------------------|
| 30  | WASHER               |
| 31  | "E" WASHER           |
| 32  | CLICK SPRING         |
| 33  | CLICK SPRING SCREW   |
| 34  | IDLER GEAR           |
| 35  | IDLER GEAR WASHER    |
| 36  | "E" WASHER           |
| 37  | PROTECTOR-L          |
| 38  | PROTECTOR-L SCREW    |
| 39  | RIGHT COVER          |
| 40  | BEARING SLEEVE       |
| 41  | BEARING SLEEVE SCREW |
| 42  | BALL BEARING         |
| 43  | ONE WAY CLUTCH       |
| 44  | SPRING WASHER        |
| 45  | DRIVE WASHER(D)      |
| 46  | DRIVE WASHER         |
| 47  | EARE WASHER          |
| 48  | DRIVE GEAR           |
| 49  | AR RATCHET ASSM'     |
| 50  | DRIVE SHAFT WASHER   |
| 53  | WASHER               |
| 54  | CRANK SHAFT          |
| 55  | BUSHING              |
| 56  | ANTI-REVERSE SPRING  |
| 57  | ANTI-REVERSE PAWL    |
| 58  | ANTI-REVERSE POST    |
| 59  | SET ALIATE           |

1146825  
1145283  
1146828  
1145278  
1145079  
1146895  
1146825

| NO. | PART NAME           |
|-----|---------------------|
| 60  | SET PLATE SCREW     |
| 61  | SPACER              |
| 62  | RETAINER            |
| 63  | PINION YOKE SPRING  |
| 64  | PINION GEAR ASSM'   |
| 65  | PINION YOKE         |
| 66  | CLUTCH SPRING       |
| 67  | CLUTCH CAM          |
| 68  | CAM PLATE           |
| 69  | PLATE SCREW         |
| 70  | CLUTCH LEVER        |
| 71  | CLUTCH LEVER SCREW  |
| 72  | CAST CONTROL SPRING |
| 73  | WASHER              |
| 74  | CAST CONTROL CAP    |
| 75  | PROTECTOR-R         |
| 76  | PROTECTOR-R SCREW   |
| 77  | RIGHT COVER SCREW   |
| 78  | SPRING WASHER       |
| 80  | STAR DRAG           |
| 81  | LEAF SPRING         |
| 82  | HANDLE ASSM'        |
| 83  | HANDLE NUT          |
| 84  | NUT RETAINER        |
| 85  | NUT RETAINER SCREW  |
| 86  | CLUTCH SLEEVE       |

1146825  
1145281  
1146745  
1146769  
1145871