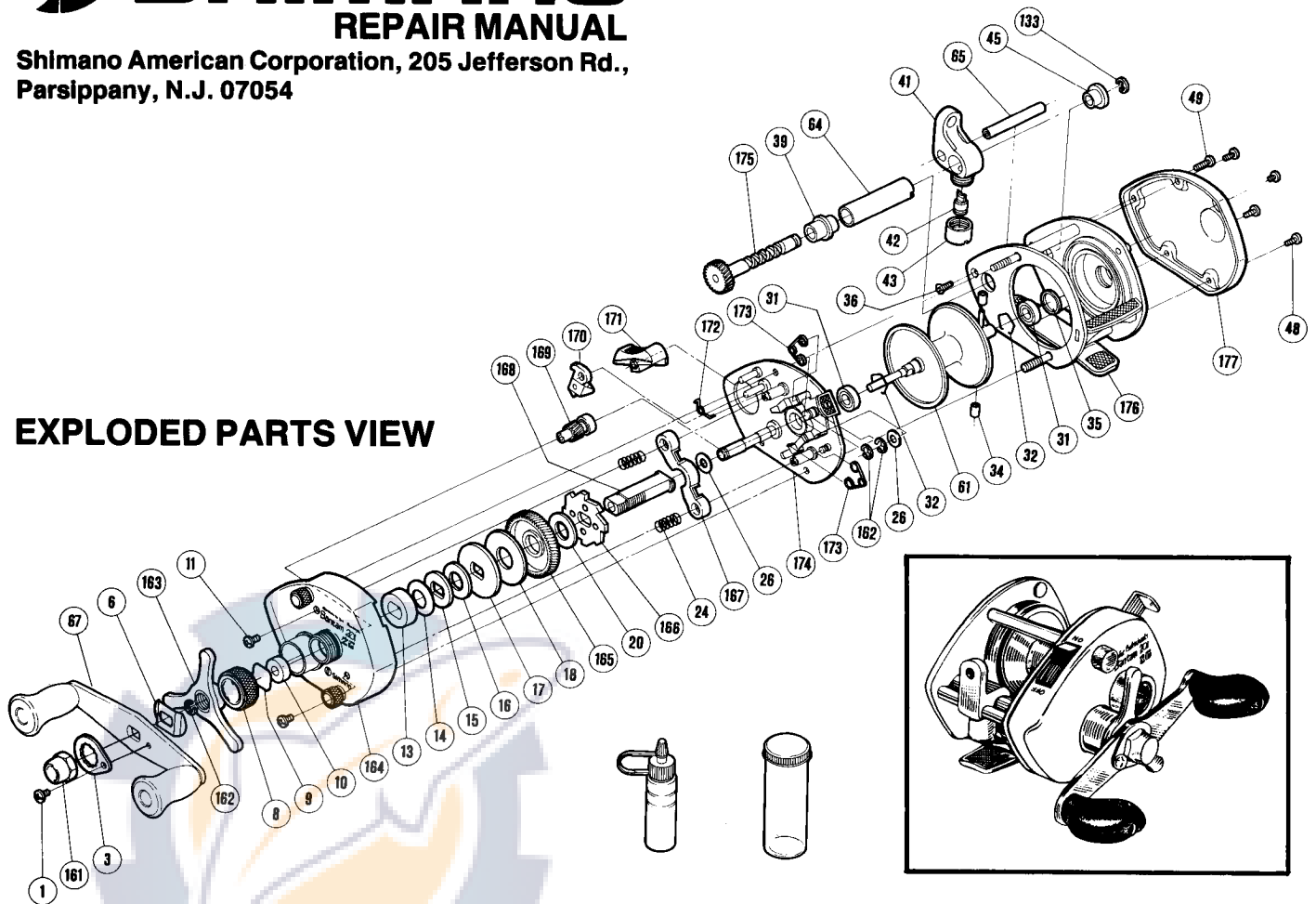


SHIMANO

REPAIR MANUAL

Shimano American Corporation, 205 Jefferson Rd., Parsippany, N.J. 07054

EXPLODED PARTS VIEW



BANTAM-201 SG

PARTS LIST

PART #	DESCRIPTION	PRICE	PART #	DESCRIPTION	PRICE	PART #	DESCRIPTION	PRICE
1.	Handle Nut Lock Screw	.15	34.	Centrifugal Brake Weights	.15	133.	Level Wind Gear Lock	.15
3.	Handle Nut Lock Plate	.30	35.	Left Bearing Spacer	.40	161.	Handle Nut	.65
6.	Friction Washer	.20	36.	Stabilizer Bar Screw	.15	162.	"C" Lock	.15
8.	Cast Control Cap	.95	39.	Level Wind Bearing	.20	163.	Drag Tri-Star	2.15
9.	Cast Control Spacer	.15	41.	Line Guide	2.50	164.	Left Side Plate	7.00
10.	Cast Control Bushing	.15	42.	Level Wind Pawl	1.00	165.	Drive Gear	3.50
11.	Right Side Plate Screw	.15	43.	Pawl Cap	.50	166.	Anti-Reverse Ratchet	1.80
13.	Drive Shaft Bearing	.15	45.	Level Wind Bearing	.20	167.	Pinion Yoke	.25
14.	Drag Spring Washer	.15	48.	Left Side Plate Screw	.20	168.	Drive Shaft	3.50
15.	"D" Washer	.20	49.	Stabilizer Bar Screw	.15	169.	Pinion Gear	6.50
16.	Drag Spacer	.40	60.	Line Guide Pawl Shim (optional)	.15	170.	Anti-Reverse Dog	1.00
17.	Pressure Plate	.15	61.	Spool	15.00	171.	Anti-Reverse Switch	.40
18.	Drag Washer	.25	64.	Level Wind Guard	1.30	172.	Switch Spring	.20
20.	Base Drag Washer	.25	65.	Stabilizer Bar	1.35	173.	Retractor Spring	.40
24.	Pinion Yoke Spring	.15	67.	Handle	6.00	174.	Set Plate	14.00
26.	Drive Shaft Shim	.15				175.	Level Wind Gear	3.50
31.	Spool Shaft Bearing	6.50				176.	Frame	14.00
32.	Bearing Lock	.15				177.	Right Side Plate	1.80

Prices and specifications subject to change without notice.