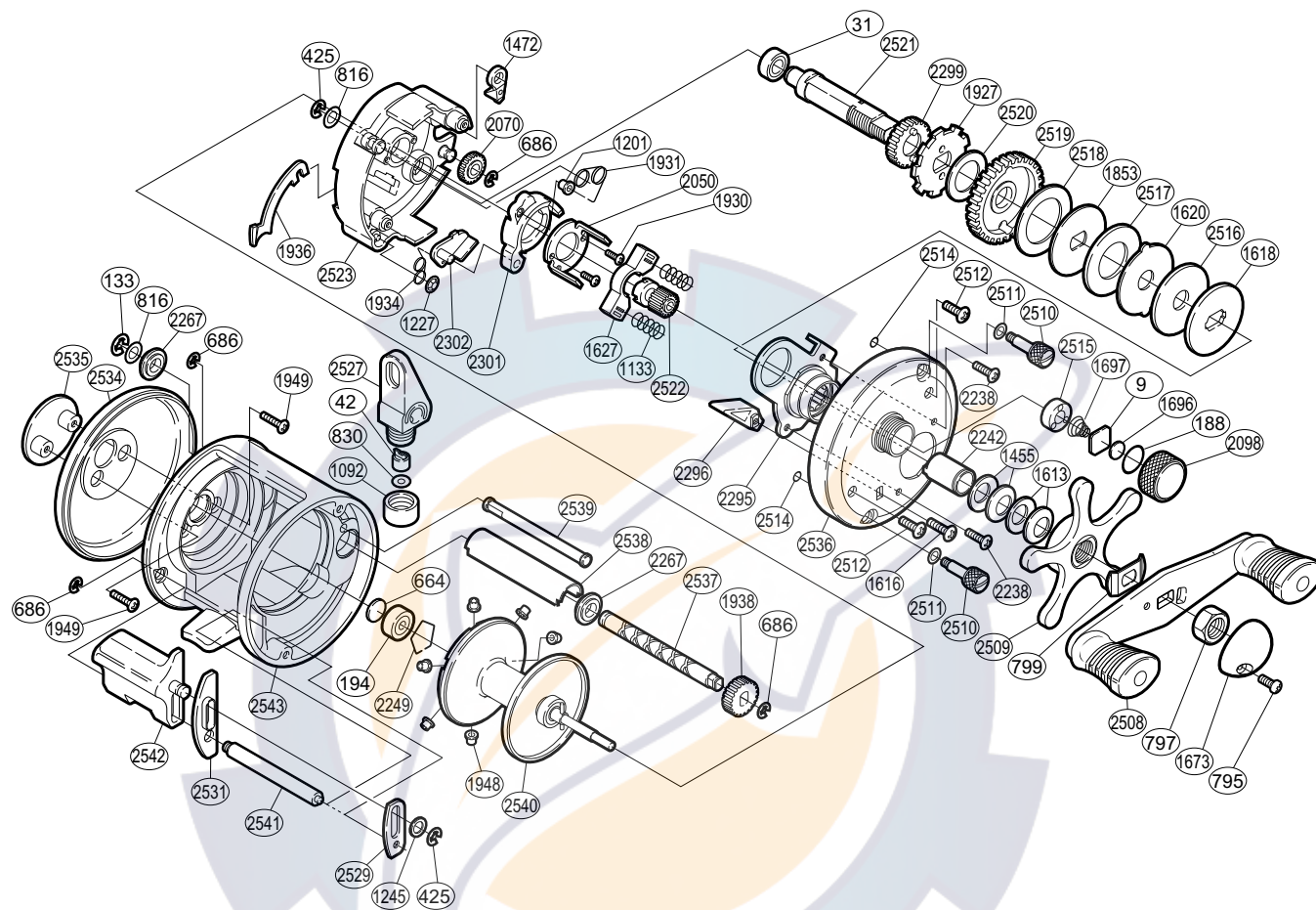


SHIMANO®

Catala®

CTL-300



Part No.	Description	Part No.	Description	Part No.	Description
BNT0009	Spacer (A)	BNT1673	Handle Nut Plate	BNT2510	Right Side Plate Nut
BNT0031	Ball Bearing	BNT1696	Cast Control Spacer (B)	BNT2511	Side Plate Nut Washer
BNT0042	Line Guide Pawl	BNT1697	Spool Tension Spring	BNT2512	Right Side Plate Screw
BNT0133	Worm Shaft Retainer	BNT1853	Key Washer (A)	BNT2514	"O" Ring
BNT0188	"O" Ring	BNT1927	Anti-Reverse Ratchet	BNT2515	Cast Control Bushing
BNT0194	Ball Bearing	BNT1930	Clutch Cam Screw	BNT2516	Drag Washer (AG)
BNT0425	"E" Lock	BNT1931	Retractor Spring	BNT2517	Drag Washer (CG)
BNT0664	Spacer (B)	BNT1934	Clutch Pawl Spring	BNT2518	Drag Washer (BG)
BNT0686	"E" Lock	BNT1936	Clutch Plate	BNT2519	Drive Gear
BNT0795	Handle Nut Plate Screw	BNT1938	Idle Gear (C)	BNT2520	Drive Shaft Washer (B)
BNT0797	Handle Nut	BNT1948	Brake Collar	BNT2521	Drive Shaft
BNT0799	Friction Washer	BNT1949	I.D. Plate Screw	BNT2522	Pinion Gear
BNT0816	Shaft Washer	BNT2050	Clutch Cam Retainer	BNT2523	Set Plate
BNT0830	Spacer (optional)	BNT2070	Idle Gear (B)	BNT2527	Line Guide
BNT1092	Pawl Cap	BNT2098	Cast Control Cap	BNT2529	Clutch Button Guide (A)
BNT1133	Yoke Spring	BNT2238	Bush Plate Screw	BNT2531	Clutch Button Guide (B)
BNT1201	Retractor Spring Collar	BNT2242	Roller Clutch Inner Tube	BNT2534	Left Side Plate
BNT1227	Push Nut (SPN-2)	BNT2249	Bearing Retainer	BNT2535	Left Side I.D. Plate
BNT1245	Clutch Bar Support Spacer	BNT2267	Worm Bushing (B)	BNT2536	Right Side Plate
BNT1455	Drag Spring Washer (H)	BNT2295	Roller Clutch Assembly	BNT2537	Worm Shaft
BNT1472	Anti-Reverse Pawl	BNT2296	Return Pin Guide	BNT2538	Level Wind Guard
BNT1613	Drag Spring Washer (L)	BNT2299	Idle Gear (A)	BNT2539	Stabilizer Bar
BNT1616	Return Pin Guide Screw	BNT2301	Clutch Cam	BNT2540	Spool Assembly
BNT1618	Key Washer (C)	BNT2302	Clutch Pawl	BNT2541	Clutch Button Support Bar
BNT1620	Eared Washer	BNT2508	Handle Assembly	BNT2542	Quick-Fire II Clutch Bar
BNT1627	Yoke	BNT2509	Star Drag	BNT2543	One-Piece Frame