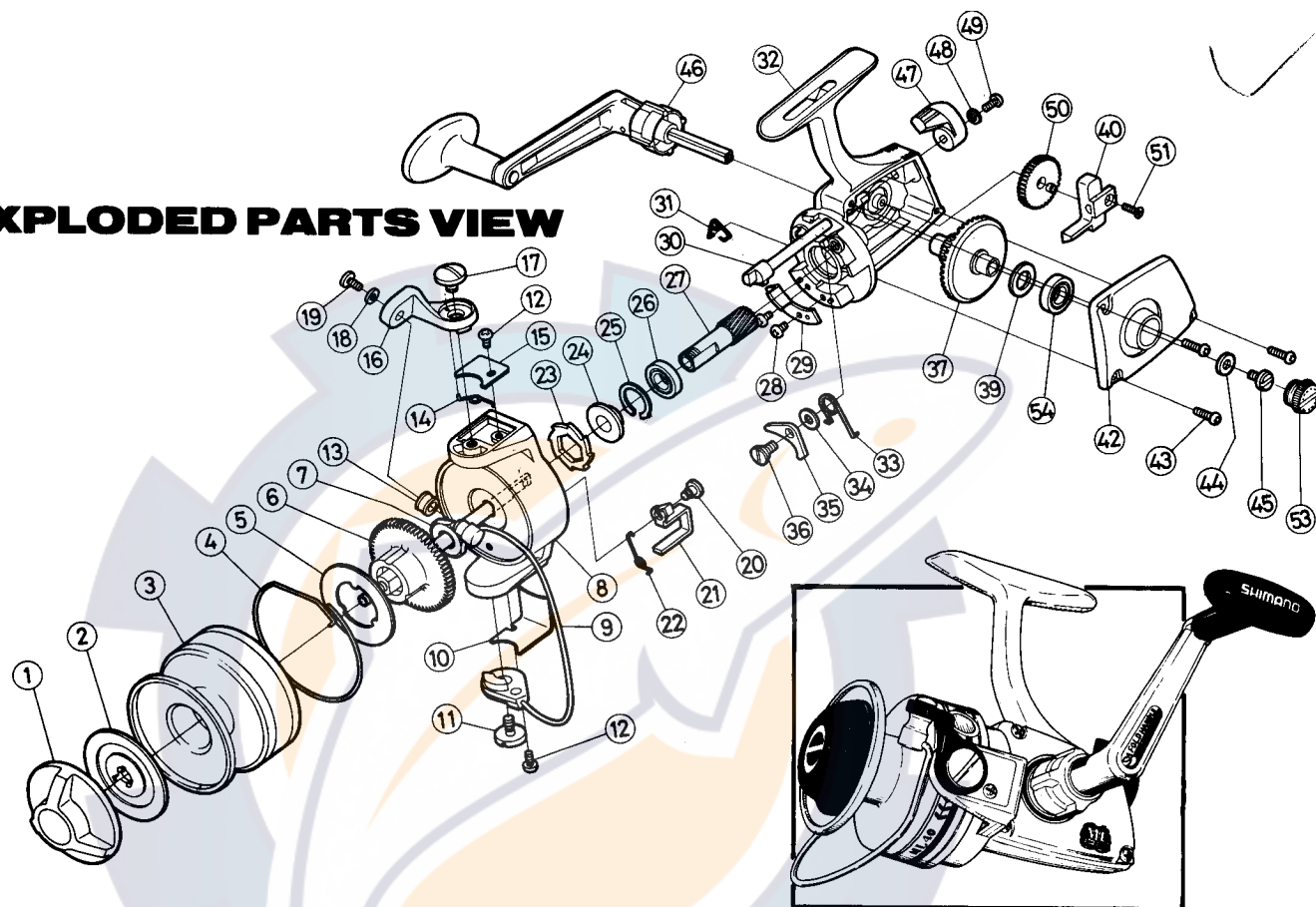


## REPAIR MANUAL SHEET NO. ML-40

Shimano American Corporation, 205 Jefferson Road  
Parsippany, N.J. 07054

### EXPLODED PARTS VIEW



### PARTS LIST

PART #	DESCRIPTION	PRICE	PART #	DESCRIPTION	PRICE	PART #	DESCRIPTION	PRICE
1	Drag Adjusting Knob	1.00	18	Bail Nut Lock Washer	.15	35	A/R Dog	.40
2	Drag Disk	.25	19	Line Guide Screw	.55	36	A/R Dog Screw	.35
3	Spool	6.90	20	Trip Lever Screw	.20	37	Drive Gear	1.25
4	Click Spring	.50	21	Trip Lever	1.10	39	Thrust Washer	.15
5	Base Drag Washer	.20	22	Trip Lever Spring	.20	40	Oscillation Block	.40
6	Spindle	1.25	23	Anti Reverse Ratchet	.50	42	Side Plate	2.80
7	Rotor Nut	.20	24	Bearing Retainer	.25	43	Side Plate Screw	.20
8	Rotor	3.60	25	Snap Ring	.25	44	Handle Screw Washer	.15
9	Bail Wire	1.55	26	Ball Bearing (Rotor)	4.90	45	Handle Retainer Screw	.20
10	Trip Lever Cover	.95	27	Pinion Gear	1.30	46	Handle Assembly	5.00
11	Bail Wire Screw	.40	28	Trip Cam Screw	.15	47	A/R Lever	.20
12	Cover Screw	.15	29	Bail Trip Cam	.65	48	A/R Lever Lock Washer	.15
13	Roller Line Guide	.40	30	Anti Reverse Shaft	.85	49	A/R Lever Screw	.20
14	Bail Spring	.20	31	Click Spring	.20	50	Oscillation Gear	.50
15	Bail Spring Cover	.20	32	Housing	7.20	51	Oscillation Block Screw	.15
16	Bail Mount	1.45	33	Anti Reverse Dog Spring	.20	53	Dust Cap	.50
17	Bail Mount Screw	.40	34	A/R Dog Spacer	.15	54	Side Plate Ball Bearing	5.50

Prices and specifications subject to change without notice.

FEBRUARY 1982