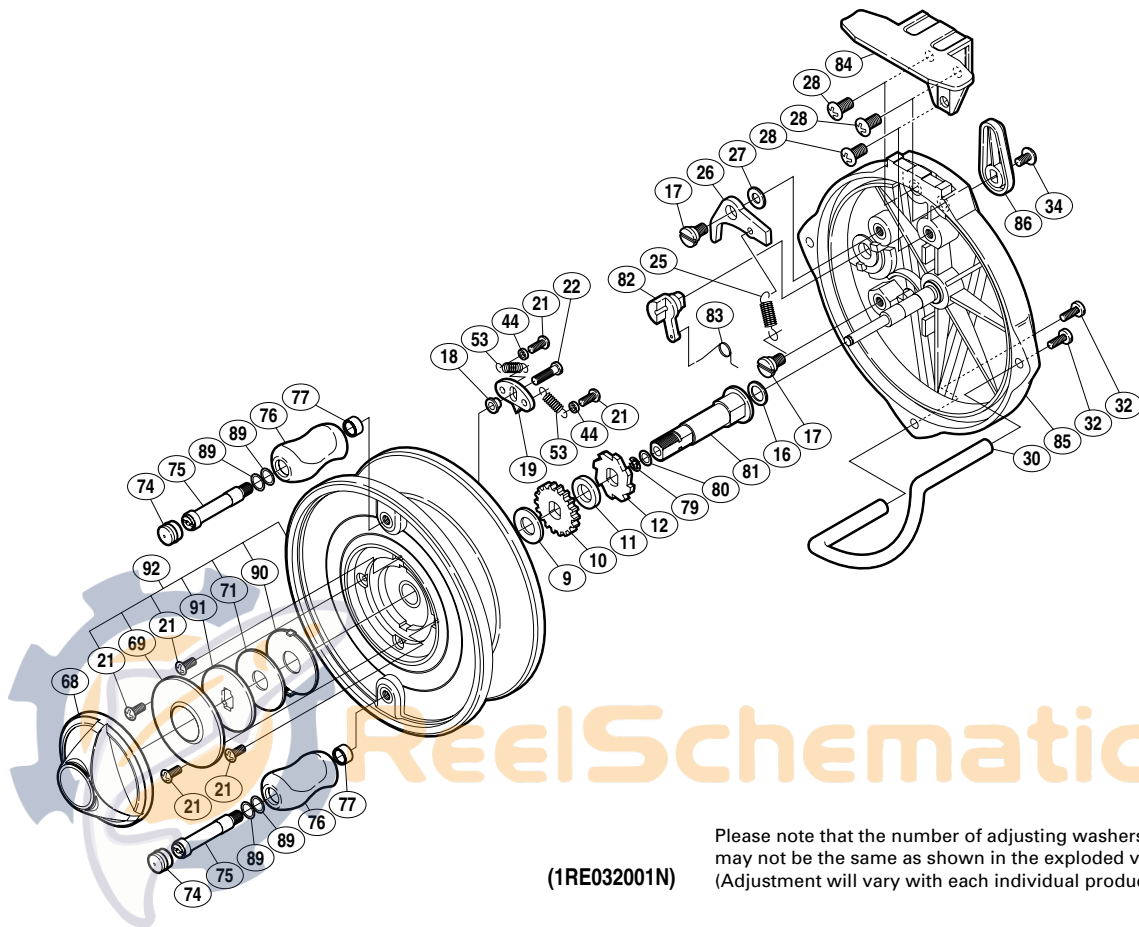


SHIMANO

MOOCHER PLUS

MCR-2000GTPA



(1RE032001N)

Please note that the number of adjusting washers may not be the same as shown in the exploded views. (Adjustment will vary with each individual product.)

| Part No. | Description | Part No. | Description |
|----------|--------------------------|----------|-------------------------|
| MCR0009 | Spool Washer | MCR0068 | Drag Knob |
| MCR0010 | Click Gear | MCR0069 | Seal Plate |
| MCR0011 | Spacer | MCR0071 | Drag Washer |
| MCR0012 | Anti-Reverse Ratchet | MCR0074 | Handle Knob Seal |
| MCR0016 | Washer | MCR0075 | Handle Knob Shaft |
| MCR0017 | Screw | MCR0076 | Handle Knob |
| MCR0018 | Click Pawl Bushing | MCR0077 | Handle Knob Bushing |
| MCR0019 | Click Pawl | MCR0079 | E Lock |
| MCR0021 | Screw | MCR0080 | Spacer |
| MCR0022 | Screw | MCR0081 | Main Shaft |
| MCR0025 | Anti-Reverse Pawl Spring | MCR0082 | Anti-Reverse Cam |
| MCR0026 | Anti-Reverse Pawl | MCR0083 | Anti-Reverse Cam Spring |
| MCR0027 | Spacer | MCR0084 | Stand |
| MCR0028 | Screw | MCR0085 | Back Plate |
| MCR0030 | Line Guard | MCR0086 | Anti-Reverse Switch |
| MCR0032 | Screw | MCR0089 | Washer |
| MCR0034 | Screw | MCR0090 | Eared Washer |
| MCR0044 | Screw Collar | MCR0091 | Key Washer |
| MCR0053 | Click Spring | MCR0092 | Spool Assembly |