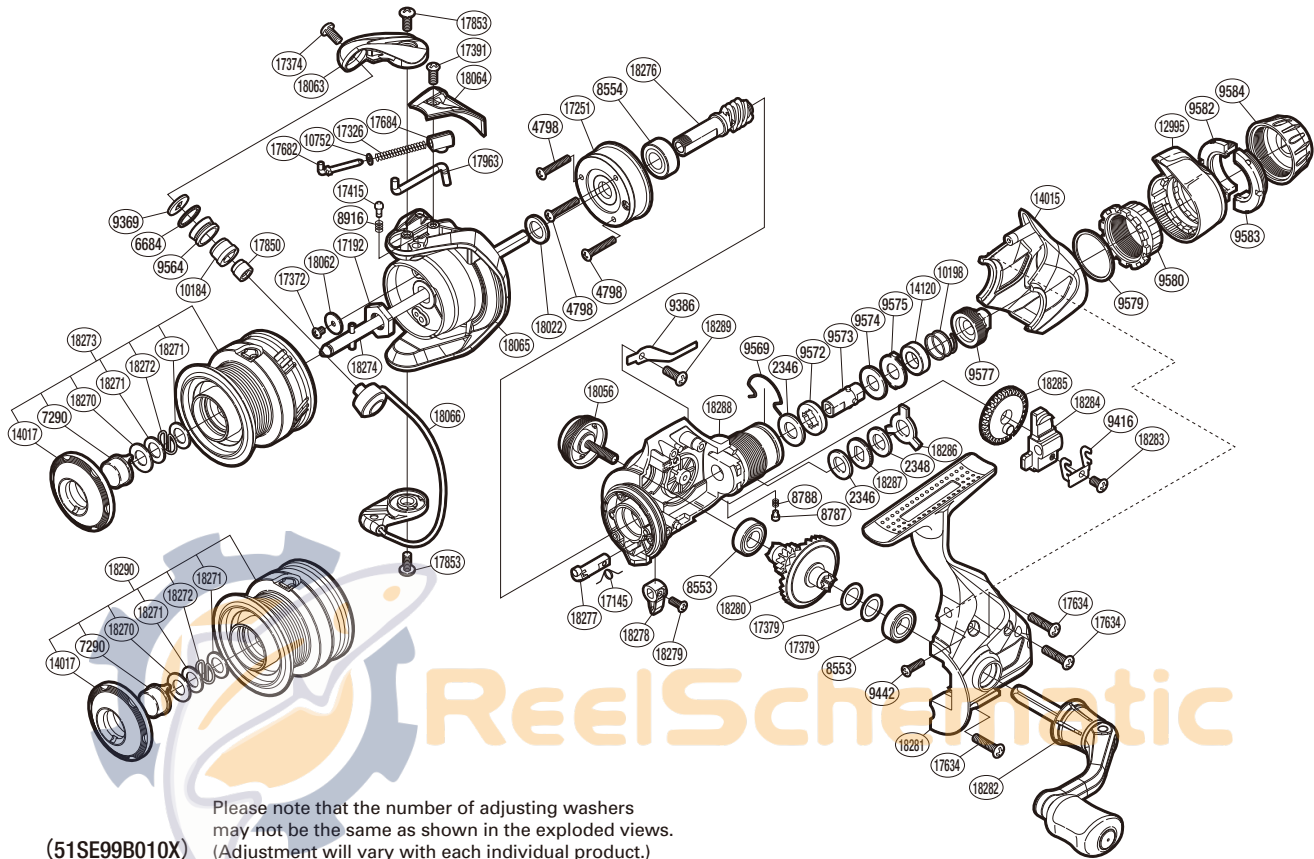


SHIMANO

SAHARA

SH-1000R



Please note that the number of adjusting washers may not be the same as shown in the exploded views. (Adjustment will vary with each individual product.)

Part No.	Description	Part No.	Description	Part No.	Description
RD 2346	Drag Washer	RD10184	Line Roller Bushing	RD18063	Bail Arm
RD 2348	Drag Washer	RD10198	Drag Coil Spring	RD18064	Bail Spring Cover
RD 4798	Screw	RD10752	Bail Spring Guide A Support	RD18065	Rotor
RD 6684	Line Roller Spacer	RD12995	Fightin Lever Assembly	RD18066	Bail Assembly
RD 7290	Push Button	RD14015	Rear Protector	RD18270	Washer
RD 8553	Ball Bearing	RD14017	Push Button Collar	RD18271	Washer
RD 8554	Ball Bearing	RD14120	Drag Collar	RD18272	Locking Spring
RD 8787	Click Pin	RD17145	Anti-Reverse Cam Spring	RD18273	Spool Assembly
RD 8788	Click Spring	RD17192	Rotor Nut	RD18274	Main Shaft
RD 8916	Click Spring	RD17251	Roller Clutch Assembly	RD18276	Pinion Gear
RD 9386	Drag Click	RD17326	Bail Spring	RD18277	Anti-Reverse Cam
RD 9416	Oscillating Slider Retainer	RD17372	Screw	RD18278	Anti-Reverse Lever
RD 9442	Screw	RD17374	Screw	RD18279	Screw
RD 9564	Line Roller	RD17379	Washer	RD18280	Drive Gear
RD 9569	Hold Click Spring	RD17391	Screw	RD18281	Side Cover
RD 9572	Drag Shaft B	RD17415	Click Pin	RD18282	Handle Assembly
RD 9573	Drag Shaft A	RD17634	Screw	RD18283	Screw
RD 9574	Drag Washer	RD17682	Bail Spring Guide A	RD18284	Oscillating Slider
RD 9575	Eared Washer	RD17684	Bail Spring Seat	RD18285	Oscillating Gear
RD 9577	Pressure Screw	RD17850	Line Roller Collar	RD18286	Eared Washer
RD 9579	Fightin Pressure Screw Washer	RD17853	Screw	RD18287	Click Gear
RD 9580	Fightin Pressure Screw	RD17963	Bail Trip Lever	RD18288	Body
RD 9582	Drag Programmer B1	RD18022	Washer	RD18289	Screw
RD 9583	Drag Programmer B2	RD18056	Handle Screw Cap		
RD 9584	Drag Programmer A	RD18062	Washer	RD18290	Spare Spool Assembly