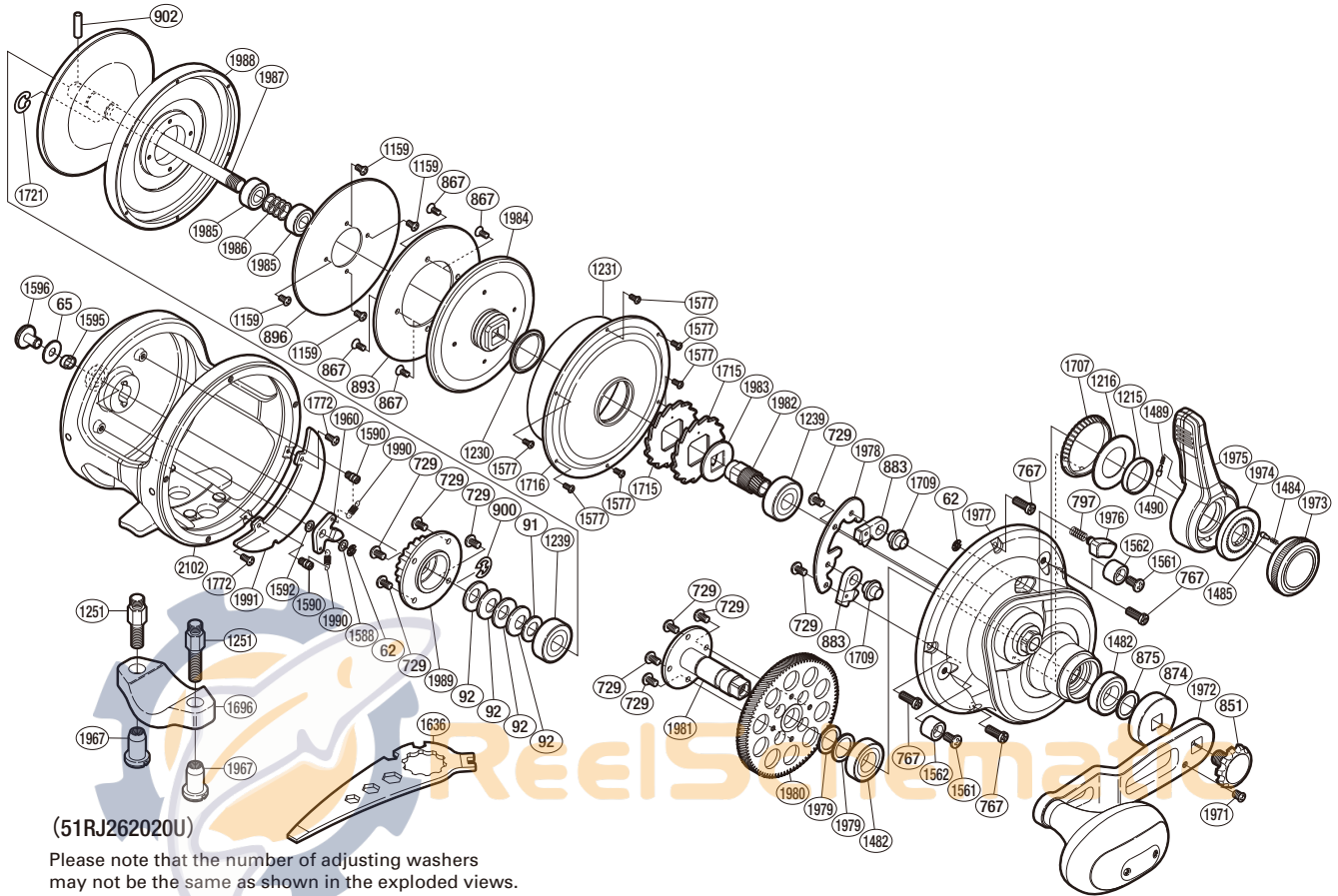


SHIMANO

TALICA SA-RB

TAC-20BFC



(51RJ262020U)

Please note that the number of adjusting washers may not be the same as shown in the exploded views. (Adjustment will vary with each individual product.)

Part No.	Description	Part No.	Description	Part No.	Description
TGT0062	E Lock	TGT1485	Click Pin	TGT1978	Anti-Reverse Pawl Keeper
TGT0065	Spacer	TGT1489	Lever Click Shoe	TGT1979	Washer
TGT0091	Bearing Thrust Washer	TGT1490	Lever Click	TGT1980	Drive Gear
TGT0092	Coned Disc Spring	TGT1561	Screw	TGT1981	Drive Shaft
TGT0729	Screw	TGT1562	Bolt Shield	TGT1982	Pinion Gear
TGT0767	Screw	TGT1577	Screw	TGT1983	Anti-Reverse Ratchet Retainer
TGT0797	Pressure Spring	TGT1588	Spacer	TGT1984	Pinion Guard
TGT0851	Handle Bolt	TGT1590	Click Spring Shaft	TGT1985	Ball Bearing
TGT0867	Screw	TGT1592	Spacer	TGT1986	Pressure Release Spring
TGT0874	Gear Shaft Shield	TGT1595	Click Switch Cam	TGT1987	Spool Shaft
TGT0875	Washer	TGT1596	Click Button	TGT1988	Spool
TGT0883	Anti-Reverse Pawl	TGT1707	Lever Click Gear	TGT1989	Click Gear
TGT0893	Drag Plate	TGT1715	Anti-Reverse Ratchet	TGT1990	Click Spring
TGT0896	Drag Washer	TGT1716	Cooling Shield	TGT1991	Set Plate
TGT0900	E Lock	TGT1721	C Lock	TGT2099	Anti-Reverse Pawl Pin
TGT0902	Cross Pin	TGT1722	Screw	TGT2102	One-Piece Frame
TGT1159	Screw	TGT1960	Click Pawl		
TGT1215	Lever Thrust Ring	TGT1971	Screw		
TGT1216	Washer	TGT1972	Handle Assembly		
TGT1230	Waterproof Ring	TGT1973	Pre-Program Dial	TGT1251	Rod Clamp Bolt (accessory)
TGT1231	O Ring	TGT1974	Lever Shaft Body	TGT1967	Rod Clamp Nut (accessory)
TGT1239	Ball Bearing	TGT1975	Drag Control Lever	TGT1696	Rod Clamp (accessory)
TGT1482	Ball Bearing	TGT1976	Strike Stop		
TGT1484	Click Spring	TGT1977	Right Side Plate	TGT1636	Wrench (accessory)