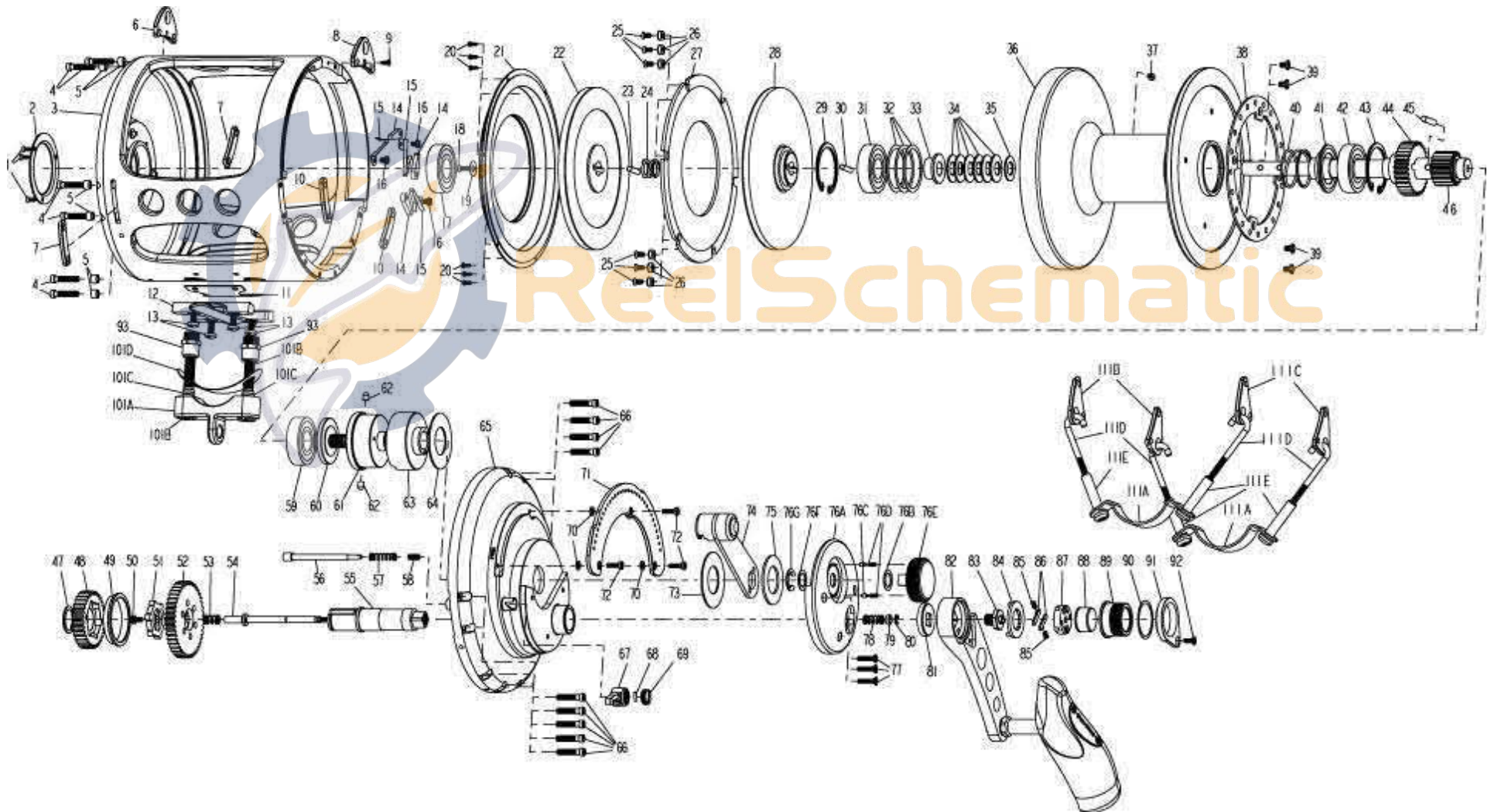


# FIN-NOR<sup>®</sup>

LEGENDARY TACKLE SINCE 1933

## Santiago SA130



# FIN-NOR<sup>®</sup>

LEGENDARY TACKLE SINCE 1933

## Santiago 130

### Fin\_Nor Santiago Trolling Reels - SA130

Key No.	Description	Qty	Part No.	Key No.	Description	Qty	Part No.
1	Cosmetic Cover Screw	3	HX107-03	58	Bait Click Lever Spring	1	JF071-01
2	Cosmetic Cover	1	LF145-01	59	Ball Bearing	1	ZF017-01
3	Frame Assembly	1	ZF301-01	60	Preset Screw	1	ZF019-01
4	Harness Lug Screw	6	LF053-01	61	Cam Follower	1	ZF153-01
5	Harness Lug Screw Collar	6	LF094-01	62	Cam Pin	2	GF093-01
6	Harness Lug	1	MF151-02	63	Cam	1	ZF028-01
7	Rod Clamp Lug Spacer (Palm)	2	ZF151-02	64	Washer	1	ZF035-01
8	Harness Lug	1	MF151-01	65	Gear Side Cover Assembly	1	ZF324-01
9	Harness Lug Screw	1	HX107-03	66	Side Cover Screw	9	LF053-01
10	Rod Clamp Lug Spacer (Gear)	2	ZF151-01	67	Bait Click Lever	1	VF109-01
11	Reel Foot Gasket	1	GF155-01	68	Bait Click Pawl Pin	1	WF100-01
12	Reel Foot	1	GF106-01	69	Bait Click Lever Cap	1	VF115-01
13	Reel Foot Screw	4	LF125-01	70	Quadrant Spacer	3	MF094-01
14	Anti Reverse Pawl	3	LF063-01	71	Quadrant	1	ZF152-01
15	Anti Reverse Pawl Spring	3	LF052-01	72	Quadrant Screw	3	LF123-01
16	Anti Reverse Pawl Screw	3	LF050-01	73	Drag Lever Washer	1	ZF035-01
17	Ball Bearing	1	ZF017-01	74	Drag Lever Assy	1	ZF355-01
18	Spool Shaft Screw	1	LF107-02	75	Washer	1	GF035-02
19	Spool Shaft Washer	1	NF038-01	76	Front Housing Cover Kit include	1	ZF499-01
20	Spool Cover Screw	6	LF057-01		76A - Front Housing Cover	1	ZF099-01
21	Spool Cover	1	ZF051-01		76B - Washer	1	LF038-01
22	Drag Plate Assembly -"B"	1	ZF348-01		76C - Pre Set Knob Click Pawl	2	PW098-01
23	Drag Plate Pin	1	EF100-01		76D - Pre Set Knob Click Spring	2	YW114-01
24	Drag Compression Spring	1	GF040-01		76E - Preset Knob	1	LF029-01
25	Drag Washer Screw	6	LF107-01		76F - Washer	1	LF038-01
26	Drag Post	6	GF102-01		76G - E-Clip	1	LF092-01
27	Drag Washer	1	ZF045-01	77	Front Housing Cover Screw	3	MF050-01
28	Drag Plate Assembly -"A"	1	NV348-01	78	Link Spring	1	LF070-01
29	Retaining Ring	1	ZF075-01	79	Link Spring Holder	1	MF081-01
30	Drag Plate Pin	1	EF100-01	80	E-Clip	1	QW120-01
31	Ball Bearing	1	ZF017-01	81	Handle Collar	1	GF081-01
32	Drag Adjusting Washer	3	ZF038-01	82	Handle Assembly	1	GF318-01
33	Bearing Holder	1	ZF088-01	83	Handle Nut	1	MF003-01
34	Drag Disc Spring	6	EF046-02	84	Handle Nut Retainer	1	LF034-01
35	Drag Adjusting Washer	1	EF032-03	85	Shift Spring	2	MF070-01
36	Spool	1	ZF021-01	86	Shift Holder	2	LF104-01
37	Line Ting Screw	1	NF125-01	87	Shift Spring Holder	1	MF159-01
38	Bait Click Plate	1	ZF113-01	88	Shift Button	1	MF062-01
39	Bait Click Plate Screw	4	MF107-01	89	Shift Knob	1	LF158-01
40	Pressure Release Spring	1	NF040-01	90	Washer	1	MF035-01
41	Pressure Release Spring Holder	1	ZF041-01	91	Shift Knob Holder	1	LF159-01
42	Ball Bearing	1	ZF017-01	92	Shift Knob Holder Screw	1	MF076-01
43	Retaining Ring	1	ZF075-01	93	Rod Clamp Nut	1	LF003-01
44	Low Speed Pinion Gear	1	ZF011-01				
45	Pinion Gear Pin	1	NF093-01	101	Rod Clamp Kit	1	GF4154
46	Spool Shaft	1	ZF015-01		101A - Rod Clamp	1	GF154-01
47	Retaining Ring	1	FF075-01		101B - Rod Clamp Bolt	2	MF125-02
48	Low Speed Drive Gear	1	NV012-01		101C - O-Ring	2	LF101-01
49	Gear Spacer	1	ZF094-01		101D - Rod Clamp Pad	1	NF155-01
50	Link Retainer Screw	1	MF053-01				
51	Link	1	GF036-01	111	Turn Buckle Kit	1	ZF4154
52	High Speed Drive Gear	1	ZF012-01		111A - Turn Buckle Clamp	1	ZF154-01
53	Link Spring	1	LF070-01		111B - Rod Clamp Lug (Palm)	2	GF151-02
54	Link Shaft	1	GF146-01		111C - Rod Clamp Lug (Gear)	2	GF151-01
55	Crank Shaft	1	GF008-01		111D - Trun Buckle Hook	4	ZF122-01
56	Bait Click Pawl	1	ZF114-01		111E - Trun Buckle Nut	4	ZF003-01
57	Bait Click Spring	1	LF110-03		111F - Turn Buckle Clamp Pad	2	ZF155-01