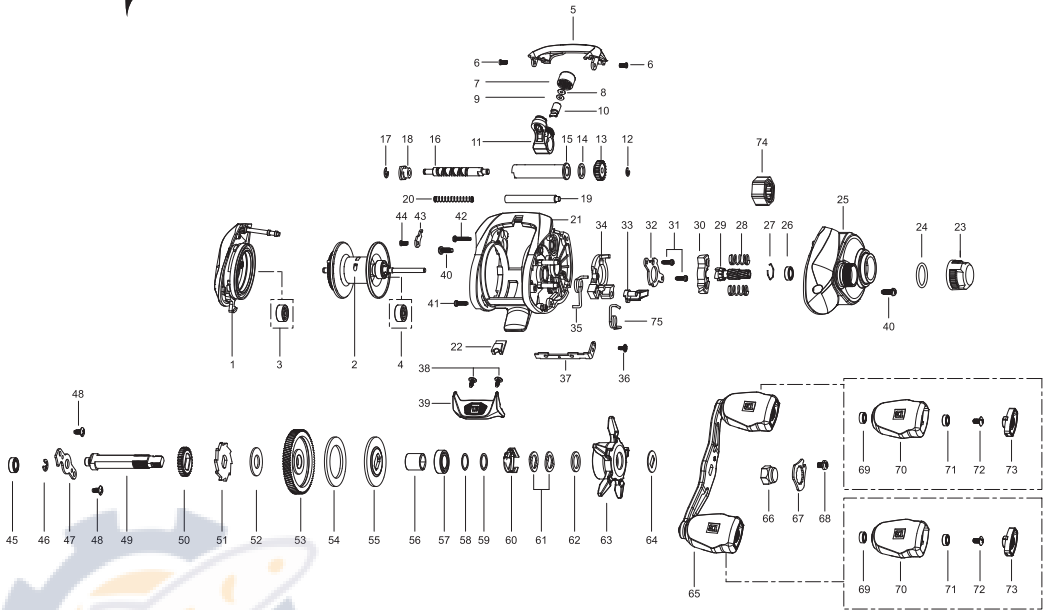




# MODUS R2 7.3:1 RH



Key No.	Part No.	Part Name	Key No.	Part No.	Part Name
1	6K269611	PALM SIDE COVER UNIT	39	5K542003	THUMB BAR
2	5K542819	SPOOL ASSEMBLY	40	6K062706	TAP SCREW
3	6K474502	BALL BEARING	41	6K053410	TAP SCREW
4	5K126102	BALL BEARING	42	6K053405	TAP SCREW
5	5K541804	FRONT SUPPORT	43	5K314601	PLATE
6	6K963102	TAP SCREW	44	6K963102	TAP SCREW
7	6K977111	NUT	45	6K256901	BEARING
8	6K148801	WASHER	46	63201402	RETAINER
9	6K148804	WASHER	47	5K134901	BEARING PLATE
10	6K256501	LEVEL WIND PIN	48	63535902	SCREW
11	5K315502	LEVEL WIND ASSEMBLY	49	5K320801	GEAR METAL
12	6B339801	RETAINER	50	6K258101	GEAR
13	6K469301	WORM PINION	51	6K893601	RATCHET
14	6E096503	WASHER	52	5K027101	WASHER
15	6K456403	PIPE	53	5K131403	DRIVE GEAR
16	5K095601	WORM SHAFT	54	5K039901	WASHER
17	6B339801	RETAINER	55	5K040001	WASHER
18	6K456801	BUSH	56	6K859205	BUSH
19	5K314401	PILLAR POST	57	6K582202	BALL BEARING
20	5K314501	COIL SPRING	58	6K177301	WASHER
21	5K541507	FRAME	59	6K177302	WASHER
22	5K542101	HOOK KEEPER	60	6K259201	LEAF SPRING ASSEMBLY
23	5K541902	TENSION KNOB	61	5K027201	SPRING WASHER
24	6K904901	O-RING	62	6K193601	WASHER
25	5K541610	GEAR SIDE COVER	63	5K542205	STAR DRAG
26	6K304002	BALL BEARING	64	5K232001	WASHER
27	6K170701	RING	65	5K542717	HANDLE ASSEMBLY
28	5K382101	COIL SPRING	66	TS6-4	NUT
29	5K131101	PINION	67	TS7-4-X	HANDLE RETAINER
30	5K093701	CLUTCH	68	63520407	SCREW
31	6K053403	TAP SCREW	69	5K440801	BUSH
32	5K251502	CAM PLATE	70	TS9-CG	HANDLE KNOB (SET OF 2)
33	5K348301	KICK LEVER	71	6K626402	BALL BEARING
34	5K251301	CLUTCH CAM	72	63511816	SCREW
35	5K093401	SPRING	73	5K569603	HANDLE KNOB CAP (SET OF 2)
36	5K047001	TAP SCREW	74	6K859301	O/WAY CLUTCH ASSEMBLY
37	5K320501	CLUTCH LINK	75	5K086701	SPRING
38	6K963104	TAP SCREW			