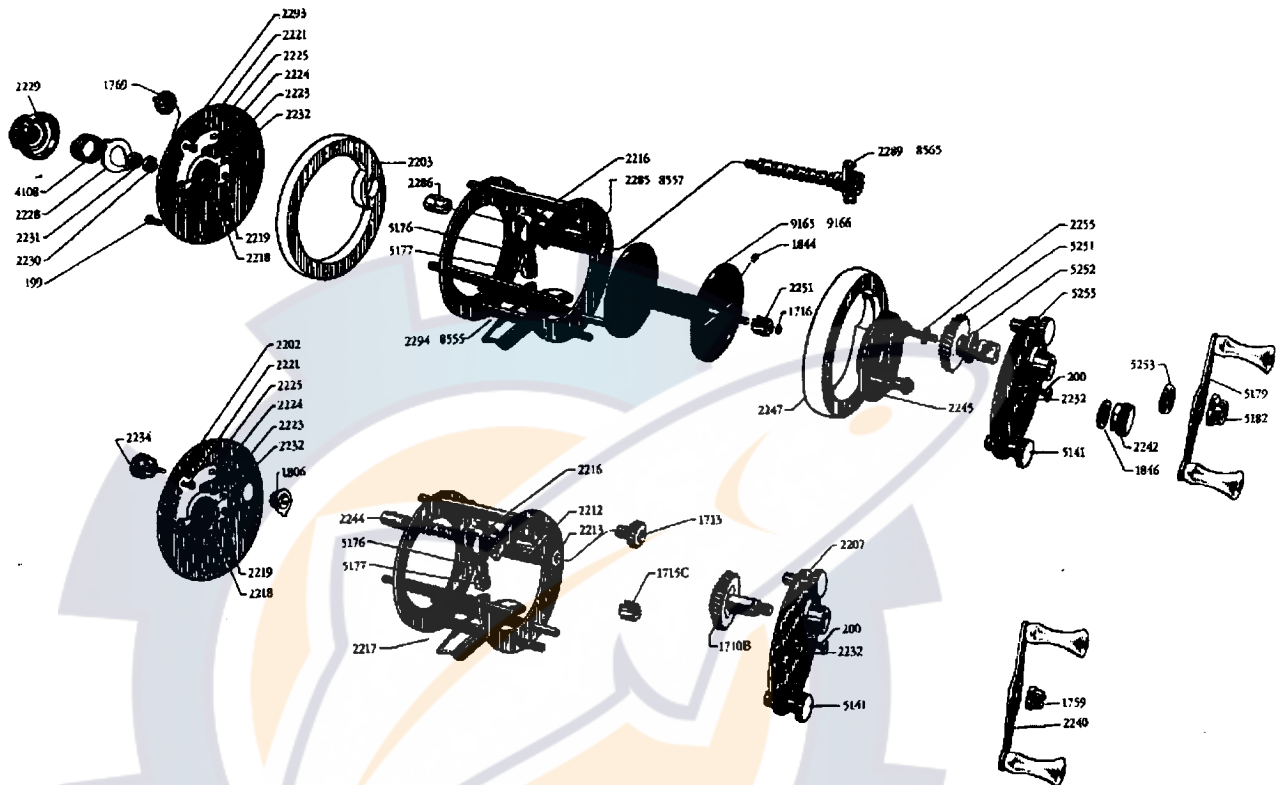




AMBASSADEUR 2000-2050



| No. | Part Name | Price | No. | Part Name | Price | No. | Part Name | Price |
|-------|------------------------------------|-------|------|---------------------------------------|-------|------|--|-------|
| 199 | Pillar screw | .10 | 2218 | Click spring | .20 | 2286 | Left carriage screw bearing | .45 |
| 200 | Bridge screw | .10 | 2219 | Click spring rivet | .05 | 2289 | Carriage screw | 2.50 |
| 1710B | Main gear | 2.25 | 2221 | Click button rivet | .05 | 2293 | Left housing plate, complete | 5.00 |
| 1713 | Carriage screw gear | .50 | 2223 | Click arm rivet | .05 | 2294 | Frame with #2216 and #2285 | 6.00 |
| 1715C | Right pinion | .60 | 2224 | Collar plate | .05 | 4108 | Anti-backlash spring | .10 |
| 1716 | Pinion "C" lock | .05 | 2225 | Click arm with rivet and click tongue | .50 | 5141 | Housing plate anchor screw | .25 |
| 1759 | Handle nut | .30 | 2228 | Brake pointer | .10 | 5176 | Carriage pawl | .75 |
| 1769 | Click button | .10 | 2229 | Left spool cap with #2228 and #4108 | 1.50 | 5177 | Line carriage nut | .25 |
| 1806 | Carriage screw nut bearing | .25 | 2230 | Brake washer | .05 | 5179 | Handle, complete | 1.75 |
| 1844A | Brake block—small | .05 | 2231 | Stress cushion | .05 | 5182 | Handle nut | .50 |
| 1844B | Brake block—medium | .05 | 2232 | Spool shaft bearing | .25 | 5251 | Main gear | 2.00 |
| 1844C | Brake block—large | .05 | 2234 | Carriage screw holding nut | 1.00 | 5252 | Friction washer | .10 |
| 1846 | Spacer | .10 | 2240 | Handle, complete | 1.75 | 5253 | Lock ring | .10 |
| 2202 | Left housing plate, complete | 5.00 | 2242 | Right spool cap | 1.00 | 5255 | Right housing plate | 3.25 |
| 2203 | Tail ring | 1.25 | 2244 | Carriage screw | 1.50 | 8555 | Frame with #8557 and #2216 (2050) | 6.00 |
| 2207 | Right housing plate | 3.25 | 2245 | Brake plate | 1.25 | 8557 | Carriage screw guard (2050) | 1.50 |
| 2212 | Carriage screw guard | 1.50 | 2247 | Head ring | 1.25 | 8565 | Carriage screw (2050) | 2.50 |
| 2213 | Carriage screw bearing bushing | .25 | 2251 | Right pinion | .60 | 9165 | Spool and pinion with container (2000) | 4.05 |
| 2216 | Line carriage | 2.25 | 2255 | Axle bearing | .05 | 9166 | Spool and pinion with container (2050) | 4.05 |
| 2217 | Frame with #2212, #2213, and #2216 | 6.00 | 2285 | Carriage screw guard | 1.50 | | | |



THE GARCIA CORPORATION • ALFRED AVENUE • TEANECK • NEW JERSEY