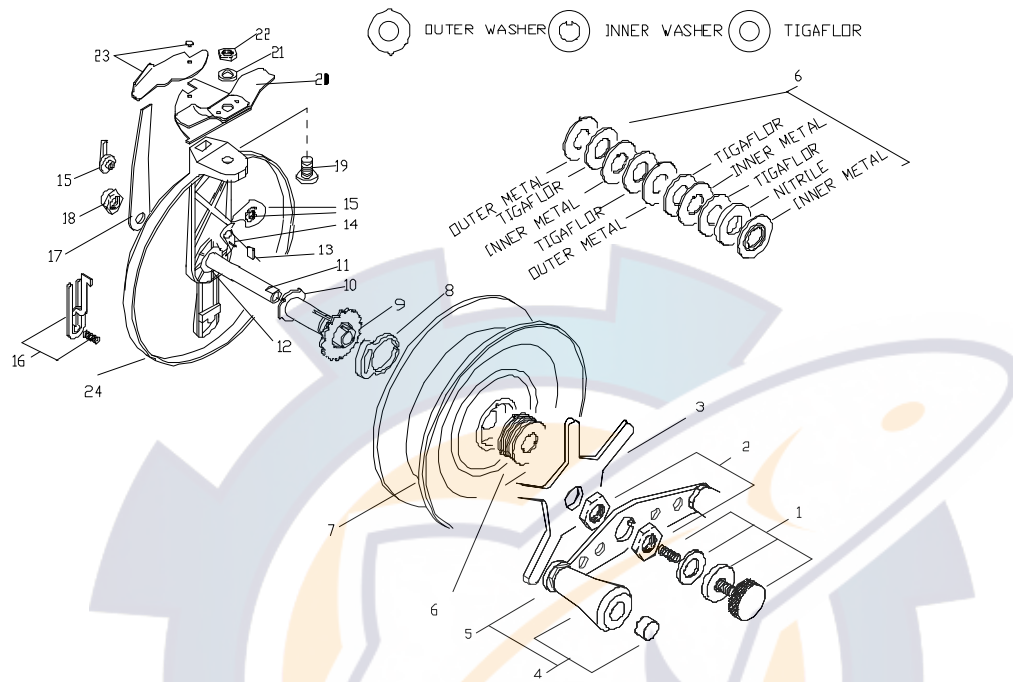


# 55BC



| Key | Part    | Description           | Key | Part  | Description            |
|-----|---------|-----------------------|-----|-------|------------------------|
| 1   | R6E2    | Spindle Screw Set     | 13  | R5G3  | Drag Pawl Spring       |
| 2   | R7F1    | Handle-plate Lock Nut | 14  | R7J9  | Drag Pawl              |
| 3   | R7D3    | Star Drag Nut         | 15  | R7K11 | On/Off Lever/Activator |
| 4   | R4F4    | Handle Assembly       | 16  | R5E10 | Ratchet Button         |
| 5   | R7E24   | Handle Plate Assy     | 17  | R2G12 | Base Lock Spring       |
| 6   | R7B/C18 | Friction Washer Set   | 18  | R6F3  | Dome Nut               |
| 7   | R4A     | Spool Only            | 19  | R2D2  | Base Bolt              |
| 8   | R7L3    | Silent Drag Cam       | 20  | R2A1  | Index Plate Assembly   |
| 9   | R5B6    | Fish Alert Wheel      | 21  | R2L1  | Base Bolt Washer       |
| 10  | R7A2    | Friction Tube         | 22  | R2F1  | Base Bolt Nut          |
| 11  | R6A15   | Spindle               | 23  | R2H1  | Lever & Rivet          |
| 12  | R6J7    | Spindle Washer        | 24  | R1A   | Reel less Spool        |