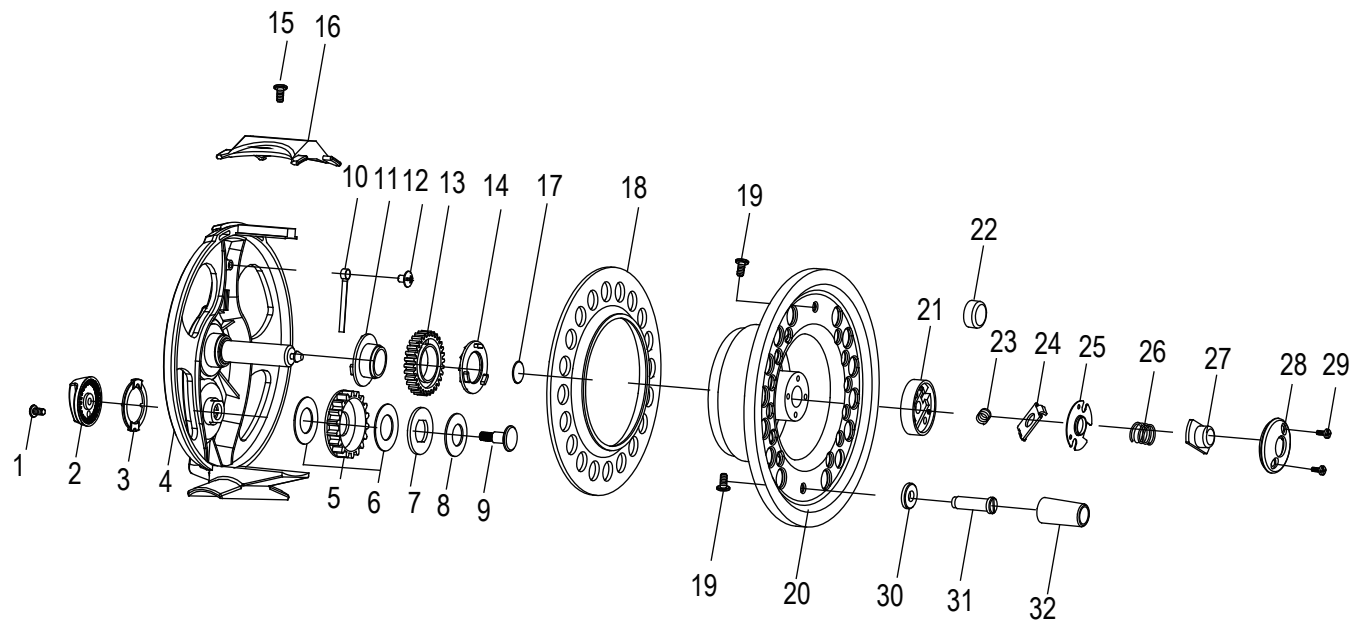


CSD 5/6



NO	PARTS DESCRIPTION
1	DRAG SWITCH SCREW
2	DRAG SWITCH
3	DRAG CLICK
4	FRAME
5	DRAG GEAR
6	DRAG WASHER
7	ANTISKID WASHER
8	SPRING WASHER
9	DRAG SCREW
10	CLICK
11	A/R GUIDE
12	CLICK SCREW
13	OSCILLATION GEAR
14	A/R CAP
15	FRAME COVER SCREW
16	FRAME COVER
17	"O"RUBBER RING
18	SPOOL DISK
19	BAIL WEIGHT SCREW(*2)
20	SPOOL SEAT
21	BUTTON STAND
22	BAIL WEIGHT
23	SLIDING FLAKE SPRING
24	SLIDING FLAKE
25	SLIDING PRESS FLAKE
26	BUTTON SPRING
27	BUTTON
28	BUTTON CAP
29	BUTTON CAP SCREW(*2)
30	BRASS BUSHING
31	BRASS SLEEVE
32	HANDLE KNOB

CSD 7/8

NO	PARTS	DESCRIPTION
1	DRAG SWITCH SCREW	
2	DRAG SWITCH	
3	DRAG CLICK	
4	FRAME	
5	DRAG GEAR	
6	DRAG WASHER	
7	ANTISKID WASHER	
8	SPRING WASHER	
9	DRAG SCREW	
10	CLICK	
11	A/R GUIDE	
12	CLICK SCREW	
13	OSCILLATION GEAR	
14	A/R CAP	
15	FRAME COVER SCREW	
16	FRAME COVER	
17	"O"RUBBER RING	
18	SPOOL DISK	
19	BAIL WEIGHT SCREW(*2)	
20	SPOOL SEAT	
21	BUTTON STAND	
22	BAIL WEIGHT	
23	SLIDING FLAKE SPRING	
24	SLIDING FLAKE	
25	SLIDING PRESS FLAKE	
26	BUTTON SPRING	
27	BUTTON	
28	BUTTON CAP	
29	BUTTON CAP SCREW(*2)	
30	BRASS BUSHING	
31	BRASS SLEEVE	
32	HANDLE KNOB	

