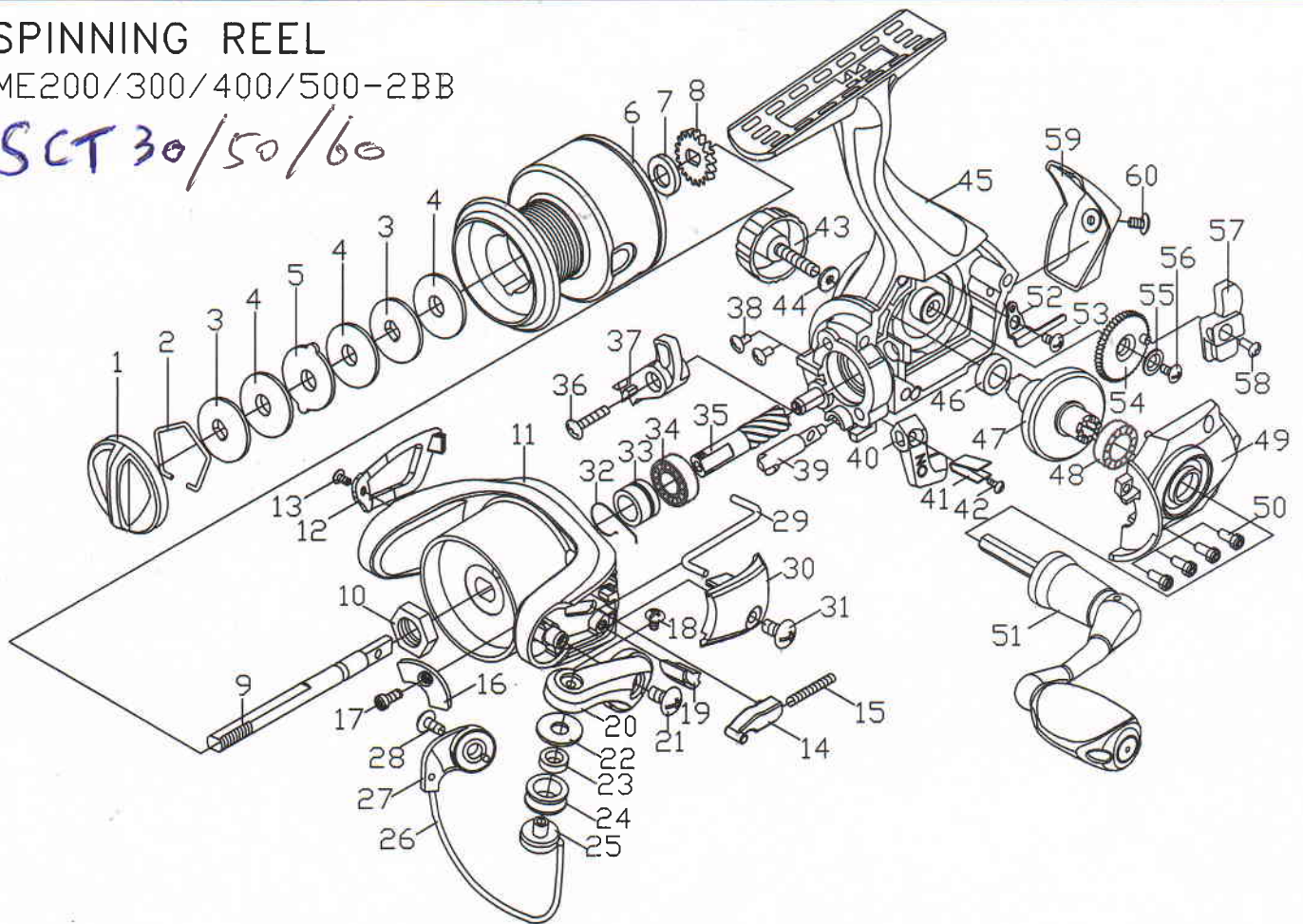


SPINNING REEL

ME200/300/400/500-2BB

SCT 30/50/60



- | | | |
|-----------------------|--------------------------|---------------------|
| 1 DRAG KNOB ASSY | 21 SCREW | 41 SPRING LEVER |
| 2 SPOOL SNAP RING | 22 WASHER | 42 SCREW |
| 3 WASHER | 23 BUSHING | 43 HANDLE CAP/SCREW |
| 4 WASHER | 24 LINE ROLLER | 44 PAPER WASHER |
| 5 WASHER | 25 BALL SPING NUT | 45 MAIN BODY |
| 6 SPOOL | 26 BALL SPRING | 46 BUSHING |
| 7 CLICK GEAR WASHER | 27 BALL HOLDER | 47 DRIVE GEAR |
| 8 CLICK GEAR | 28 SCREW | 48 BALL BEARING |
| 9 MAIN SHAFT | 29 BALL HOLDER SLIDER | 49 MAIN BODY COVER |
| 10 ROTOR NUT | 30 HOLDER COVER | 50 SCREW |
| 11 ROTOR | 31 SCREW | 51 HANDLE ASSY |
| 12 BALL HOLDER COVER | 32 SILENT BUSHING | 52 PRESSs PIECE |
| 13 SCREW | 33 SILENT COPPER BUSHING | 53 SCREW |
| 14 SPRING THIMBLE | 34 BALL BEARING | 54 O/S GEAR |
| 15 SPRING | 35 PINION GEAR | 55 O/S GEAR CLIP |
| 16 BALANCE | 36 SCREW | 56 SCREW |
| 17 SCREW | 37 ANTI-REVERSE PAWL | 57 O/S SLIDER |
| 18 SCREW | 38 SCREW | 58 SCREW |
| 19 BALANCE | 39 ANTI-REVERSE SHAFT | 59 REAR COVER |
| 20 CURVED BALL HOLDER | 40 ANTI-REVERSE KNOB | 60 SCREW |