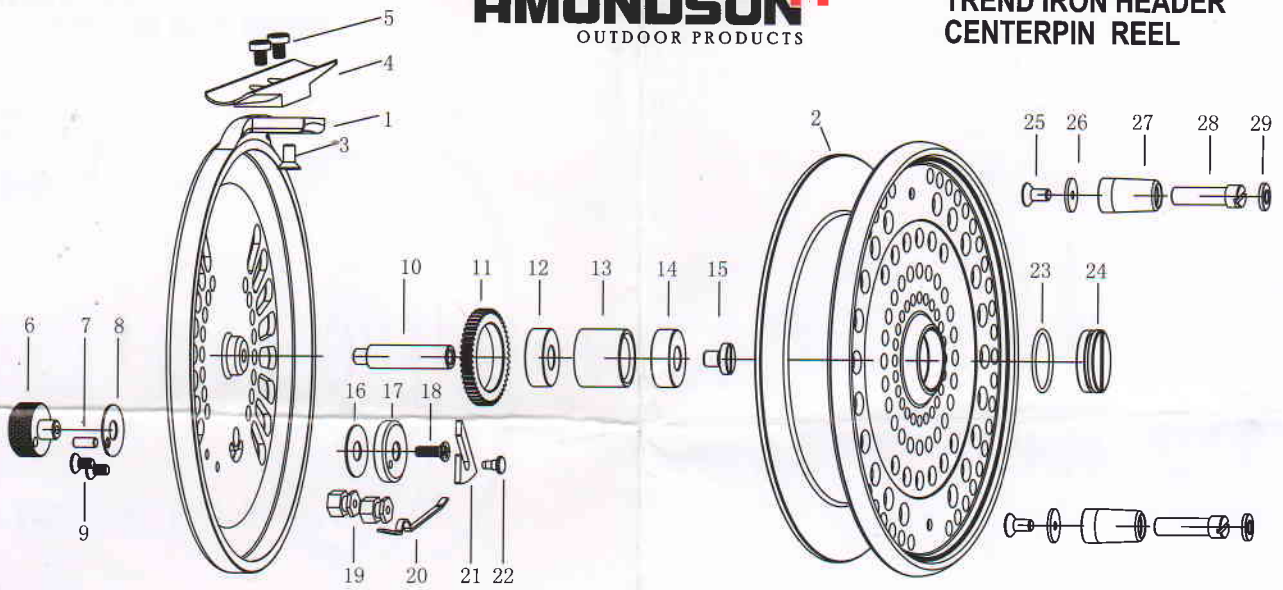


AMUNDSON
OUTDOOR PRODUCTS

**TREND IRON HEADER
CENTERPIN REEL**



- | | | | | |
|---------------|------------------|---------------------|--------------------|------------------|
| 1. Frame | 7. Pin | 13. Bearing cover | 18. Screw | 24. Screw |
| 2. Spool | 8. Washer | 14. Ball bearing | 19. Spring support | 25. Screw |
| 3. Screw | 9. Screw | 15. Screw | 20. Spring | 26. Washer |
| 4. Reel foot | 10. Main shaft | 16. Washer | 21. Clicker | 27. Handle |
| 5. Screw knob | 11. Gear | 17. Clicker support | 22. Screw | 28. Handle rivet |
| | 12. Ball bearing | | 23. O-ring | 29. Handle cover |

For warranty issue, please check www.amundson.ca or send us an email at info@amundson.ca