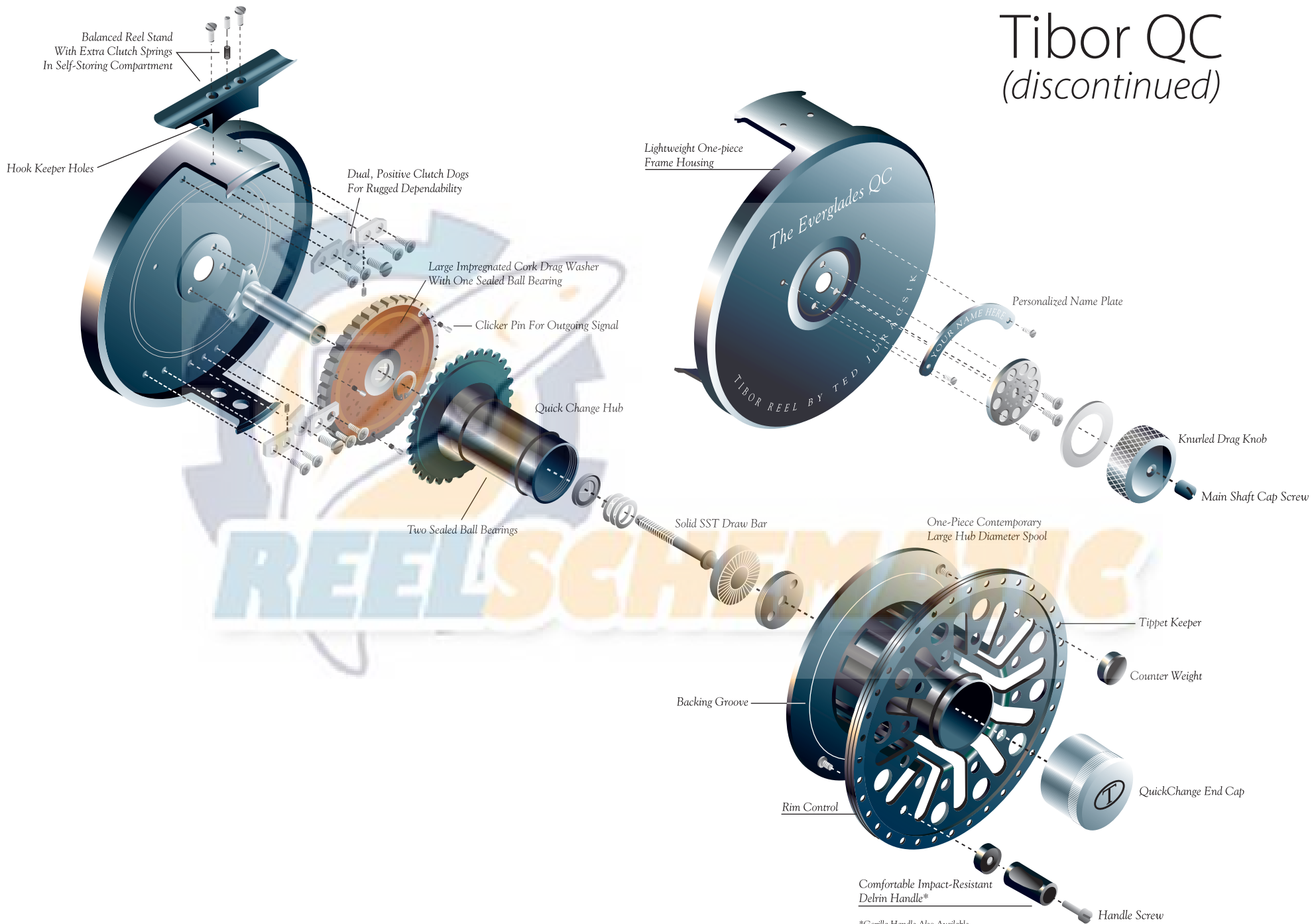


Tibor QC (discontinued)



TIBOR QUICKCHANGE™ SERIES

CLEANING

After each use, back off the drag completely and rinse the reel thoroughly with fresh, warm water, giving special attention to the backing and the perforations in the Spool. (Do not let the reel soak). Shake the reel to remove excess water and leave in an open area (indoors) to dry overnight. The following day, put the reel through all of its drag settings and then return to free spool for storage. Periodically, especially after extensive exposure to saltwater, the line and backing should be removed and wiped down with a wet cloth to remove salt. When the reel, line and backing are completely dry, the reel should be stored in its protective pouch.

MAINTENANCE

All reels are lubricated at the factory prior to assembly and relubrication is generally not necessary. Should you wish to disassemble your reel for cleaning and/or relubrication, insert a penny into the Drag Adjustment Stop Nut; unscrew and remove the Nut. Unscrew the drag adjustment knob and remove. Turn the Spool backwards (against the drag) until it moves freely. Remove the Spool. (Do not unscrew the QuickChange End Cap). Clean as necessary and reassemble. If you wish to lubricate the Cork Drag Disc, use only a small amount of Tibor Graphite Lube.

Please note: Exceeding the recommended capacity by overfilling the Spool and/or putting line on too tightly or with too much tension may damage the Spool and is not covered under warranty. Please refer to the capacity chart below and use the Backing Groove on the Spool as your guide. Monofilament backing is not recommended for use on Tibor reels. Should you have any questions about backing for your reel, please contact your authorized Tibor dealer.

Tibor QuickChange Capacities:

The Everglades QC:	200 yds. 20 lb. micron with WF8F
The Riptide QC:	200 yds. 30 lb. micron with WF10F
Riptide QC Spool²:	200 yds. 20 lb. spectron with WF10F
The Gulfstream QC:	300 yds. 30 lb. micron with WF12F
Gulfstream QC Spool²:	300 yds. 30 lb. spectron with WF12F
The Pacific QC:	800 yds. 50 lb. spectron with WF14S
Pacific QC Spool²:	400 yds. 30 lb. spectron with WF12S



CONVERSION FROM RIGHT TO LEFT HAND RETRIEVE

Tibor reels are shipped from the factory with right hand retrieve unless specified. An authorized dealer can easily convert any Tibor reel from right to left hand retrieve for you. You may also convert the reel yourself by reversing the Clutch Dogs. Please refer to the numbered parts list on the reverse side.

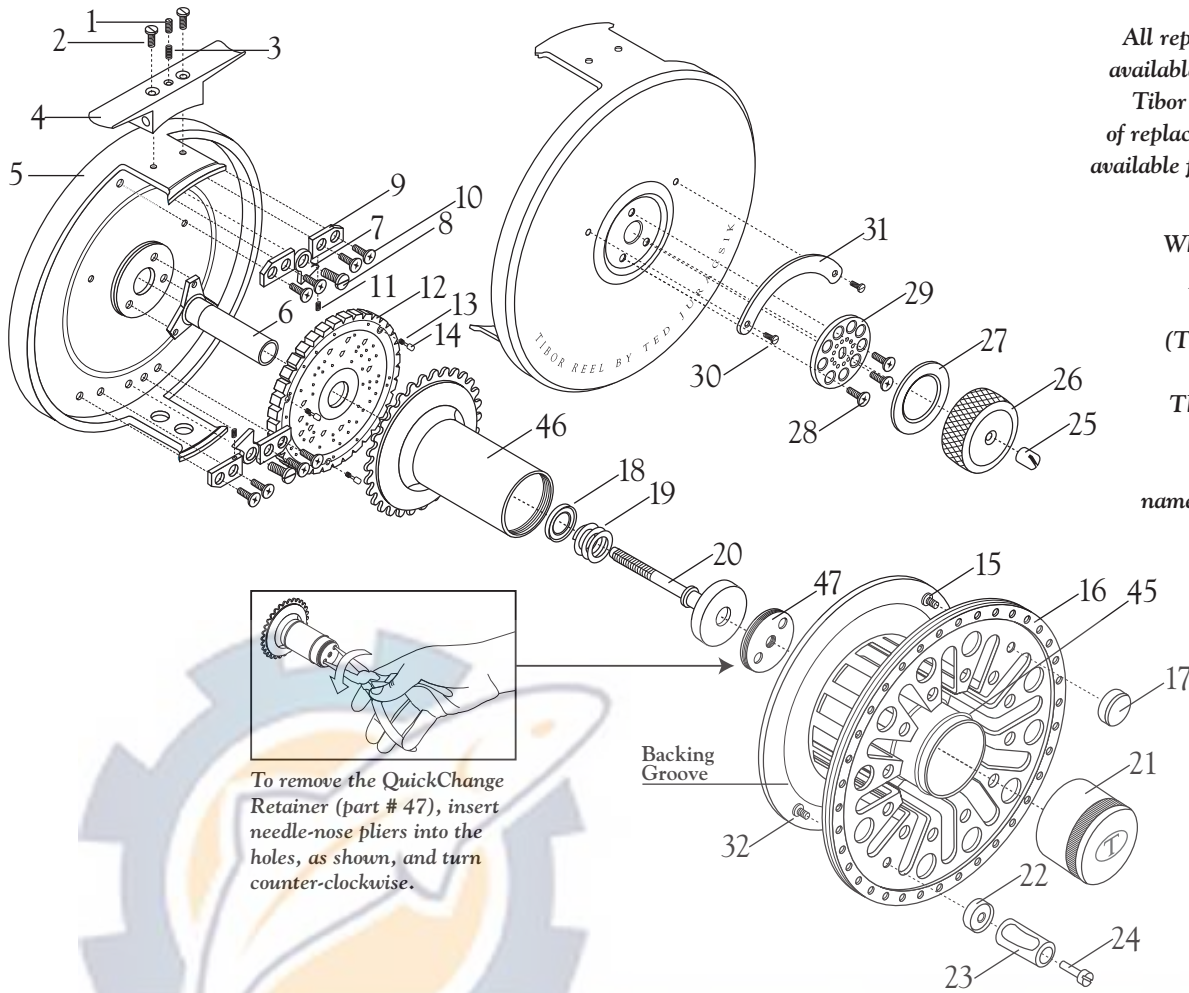
1. Unscrew the QuickChange End Cap (part #21) and remove the QuickChange Spool (part #16).
2. Insert a penny into the Drag Adjustment Stop Nut (part #25); unscrew and remove the Nut. Unscrew the Drag Knob (part #26) and remove.
3. Remove QuickChange Hub (part #46) and Main Gear (part #12) – the Gear will come off with the Hub. The Clutch Dogs (part #7) will now move freely.
4. Remove the Clutch Spring (part #13) from each Spring Retainer Block (part #9) and place it in the Retainer Block on the opposite side of the Clutch Dog.
5. Locate the Clutch Dogs so tension is created by the Clutch Spring (part #11) as the Clutch Dog is pressed against it.
6. Replace QuickChange Hub and Main Gear, making sure to engage the Clutch Dogs.
7. Replace the Drag Knob and Drag Adjustment Stop Nut. Be sure to tighten the Drag Knob completely before replacing the Drag Adjustment Stop Nut.
8. Replace the QuickChange Spool and tighten the QuickChange End Cap.



TIBOR REELS

The World's Finest Fly Reels

TIBOR QUICKCHANGE™ SERIES



To remove the QuickChange Retainer (part # 47), insert needle-nose pliers into the holes, as shown, and turn counter-clockwise.

All replacement parts are available through your local Tibor dealer. A selection of replacement parts is also available for purchase online at tiborreel.com.

When ordering parts, please specify color and model name (The Everglades QC, The Riptide QC, The Gulfstream QC, The Pacific QC), in addition to part name and part number.

Ref.#	Part Name	Part#	Ref.#	Part Name	Part#
1	Clutch Spring Holder Screw	1XQ	18	Thrust Washer	18XQ
2	Reel Stand Screw	2XQ	19	Main Shaft Spring	19XQ
3	Extra Clutch Spring	3XQ	20	Draw Bar	20XQ
4	Reel Stand	4XQ	21	QuickChange End Cap	21XQ
5	Frame	5XQ	22	Handle Knob Seat	22XQ
6	Main Shaft	6XQ	23	Handle Knob	23XQ
7	Clutch Dog	7XQ	24	Handle Knob Screw	24XQ
8	Clutch Screw	8XQ	25	Drag Adjustment Stop Nut	25XQ
9	Spring Retainer Block	9XQ	26	Drag Knob	26XQ
10	Spring Retainer Screw	10XQ	27	Teflon Washer	27XQ
11	Clutch Spring	11XQ	28	Clicker Plate Screw	28XQ
12	Main Gear	12XQ	29	Clicker Plate	29XQ
13	Clicker Spring	13XQ	30	Name Plate Screw	30XQ
14	Clicker Pin	14XQ	31	Name Plate	31XQ
15	Counter Weight Screw	15XQ	32	Handle Screw	32XQ
16	QuickChange Spool/Spool*	16XQ	45	QuickChange O-Ring	45XQ
17	Counter Weight	17XQ	46	QuickChange Hub	46XQ
			47	QuickChange Retainer Insert	47XQ

*Not available on The Everglades QC



TIBOR REELS

The World's Finest Fly Reels