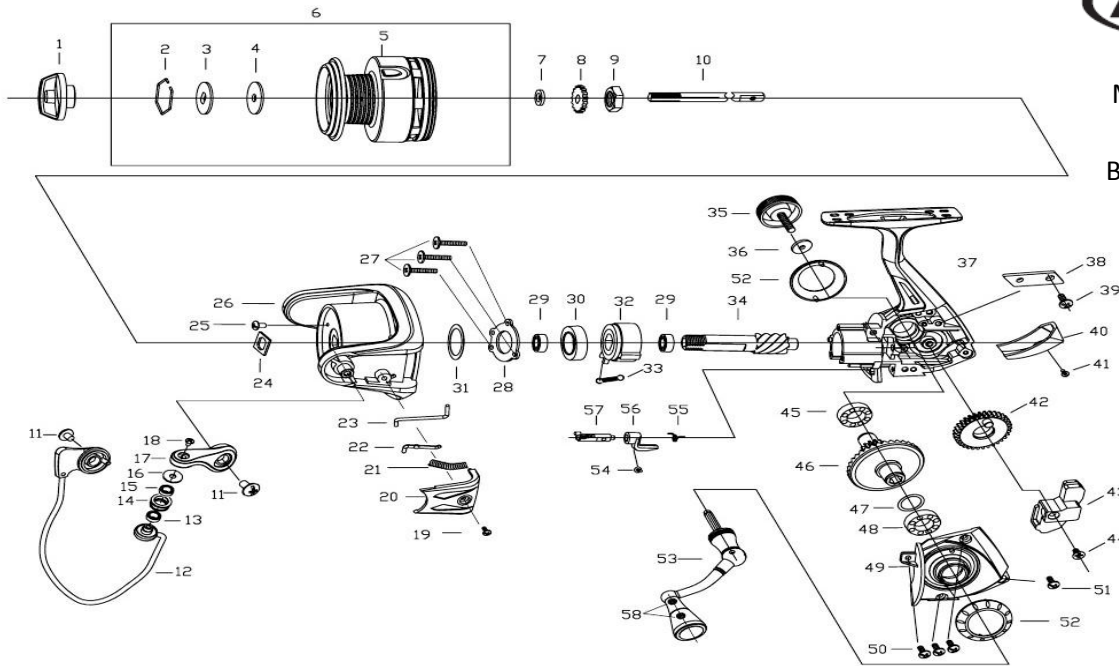




Model LRSP25

BER-SP-LRSP25-00



Item	Description	SAP #	Item	Description	SAP #
1	DRAG KNOB ASSEMBLY	1380030	30	BEARING HOLDER	1344620
2	DRAG WASHER RETAINER	1344586	31	WASHER	1352393
3	KEY WASHER	1339470	32	ONE WAY CLUTCH ASSY	1344621
4	DRAG WASHER	1352381	33	CLUTCH SPRING	1339498
5	SPOOL	1380031	34	PINION GEAR	1344622
6	SPOOL ASSEMBLY	1380032	35	HANDLE SCREW CAP	1380037
7	CLICK GEAR WASHER	1344601	36	WASHER	1339553
8	CLICK GEAR	1344602	37	BODY	1380038
9	NUT	1344603	38	SLIDER KEEPER	1346741
10	MAIN SHAFT	1339477	39	SCREW	1344643
11	SCREW	1339478	40	REAR COVER	1380039
12	BAIL ASSEMBLY	1380033	41	SCREW	1283238
13	LINE ROLLER BALL BEARING	1339480	42	OSCILLATION GEAR	1344626
14	LINE ROLLER	1345968	43	SLIDER	1344627
15	LINE ROLLER BUSHING	1362150	44	SCREW	1339507
16	WASHER	1339482	45	BALL BEARING	1339511
17	BAIL ARM	1380034	46	DRIVE GEAR	1344628
18	SCREW	1339484	47	DRIVE GEAR WASHER	1345988
19	SCREW	1339494	48	BALL BEARING	1339511
20	ROTOR COVER	1380035	49	BODY COVER	1380040
21	SPRING	1352387	50	SCREW	1339504
22	PIVOT ARM	1344616	51	SCREW	1283219
23	BAIL TRIP LEVER	1352389	52	BODY TRIM	1380041
24	WASHER	1352390	53	HANDLE ASSEMBLY	1380042
25	NUT LOCKER SCREW	1339485	54	SCREW	1339515
26	ROTOR	1380036	55	SPRING	1344632
27	SCREW	1339488	56	ANTI-REVERSE LEVER	1362153
28	COVER	1352391	57	ANTI-REVERSE CAM	1352400
29	BALL BEARING	1344619	58	LINE ROLLER BALL BEARING	1339480