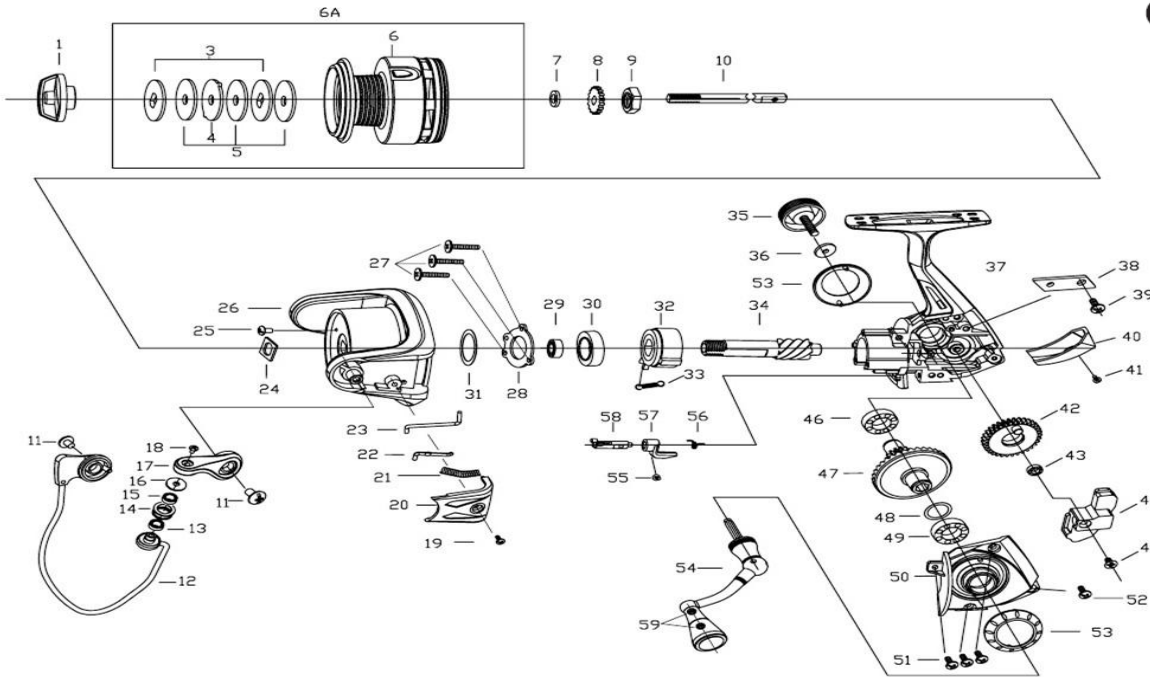




Model LRSP30

BER-SP-LRSP30-00



Item	Description	SAP #	Item	Description	SAP #
1	DRAG KNOB ASSEMBLY	1380043	30	BEARING HOLDER	1339548
2	DRAG WASHER RETAINER	1339520	31	WASHER	1346737
3	KEY WASHER	1339521	32	ONE WAY CLUTCH	1339549
4	EAR WASHER	1339522	33	IAR SPRING	1339550
5	DRAG WASHER	1339523	34	PINION GEAR	1346739
6	SPOOL	1380044	35	HANDLE SCREW CAP	1380050
6A	SPOOL ASSEMBLY	1380045	36	WASHER	1339553
7	CLICKER GEAR WASHER	1339526	37	BODY	1380051
8	CLICK GEAR	1339527	38	SLIDER KEEPER	1346741
9	NUT	1339528	39	SCREW	1344643
10	MAIN SHAFT	1346728	40	REAR COVER	1380052
11	SCREW	1339478	41	SCREW	1283238
12	BAIL ASSEMBLY	1380046	42	OSCILLATION GEAR	1363942
13	BEARING	1339532	43	BEARING	1283306
14	LINE ROLLER	1346731	44	SLIDER	1346745
15	BUSHING	1283184	45	SCREW	1346746
16	WASHER	1339534	46	BEARING	1339511
17	BAIL ARM	1380047	47	DRIVE GEAR	1346747
18	SCREW	1339484	48	WASHER	1339562
19	SCREW	1339494	49	BEARING	1339563
20	ROTOR COVER	1380048	50	BODY COVER	1380053
21	SPRING	1339544	51	SCREW	1339565
22	PIVOT ARM	1344616	52	SCREW	1283219
23	BAIL TRIP LEVER	1339542	53	BODY TRIM	1380054
24	WASHER	1283292	54	HANDLE ASSEMBLY	1380055
25	SCREW	1283190	55	SCREW	1339515
26	ROTOR	1380049	56	IAR SWITCH SPRING	1283210
27	SCREW	1339540	57	ANTI-REVERSE LEVER	1283302
28	PINION BEARING RETAINER	1339541	58	IAR SWITCH LEVER	1283211
29	BALL BEARING	1346736	59	LINE ROLLER BALL BEARING	1339480