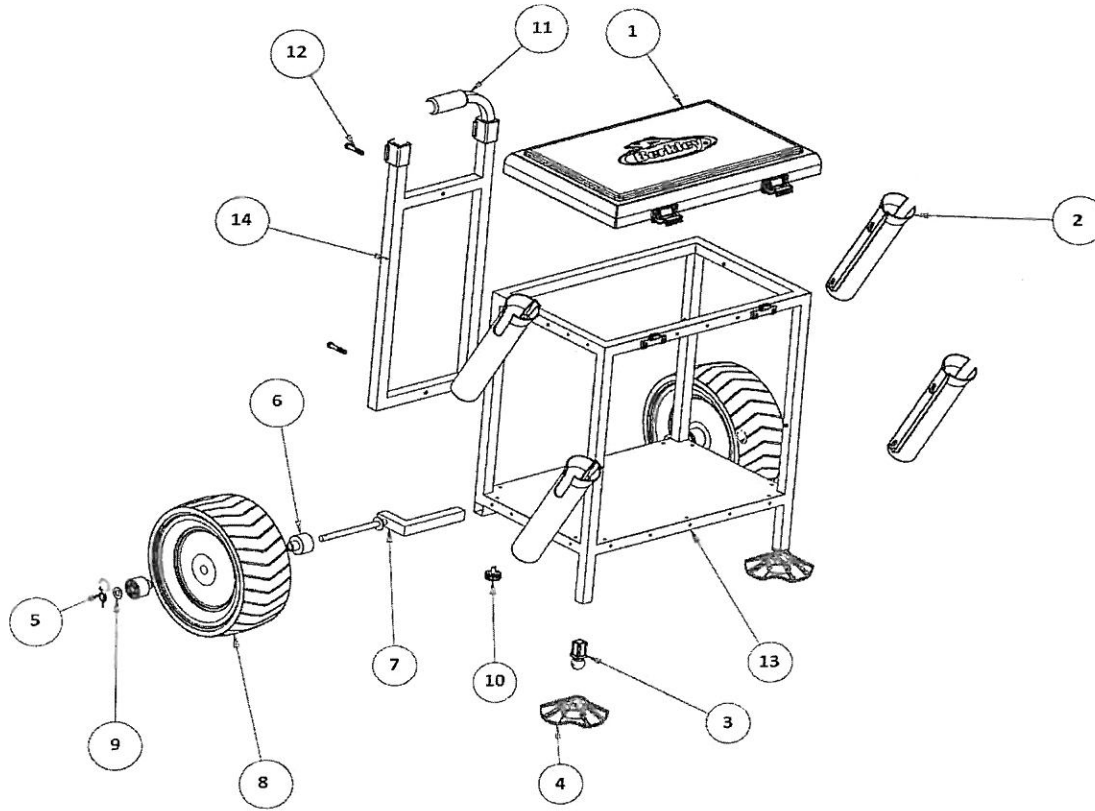


SPORTSMAN'S PRO CART



Part #	SAP #	Description	QTY
1	1337639	Blow Molded Seat Assembly - Pro	1
2	1337640	Rod Holder	4
3	1337641	Mudfoot Ball Joint	2
4	1337642	Lotus Mudfoot	2
5	1337643	Locking Pin	2
6	1337644	Spacer	4
7	1337645	Rear Axle	2
8	1337646	Blow Molded Wheel	2
9	1337647	Washer	2
10	1337648	Thumb Screw	2
11	1337649	Handle Assy. w/ EVA Grip	1
12	1337650	Handle Bolt	2
13	1337651	Main Body Complete w/ Fabric Liner	1
14	1337652	Lower Handle Assy. w/ Blocker and Locker	1