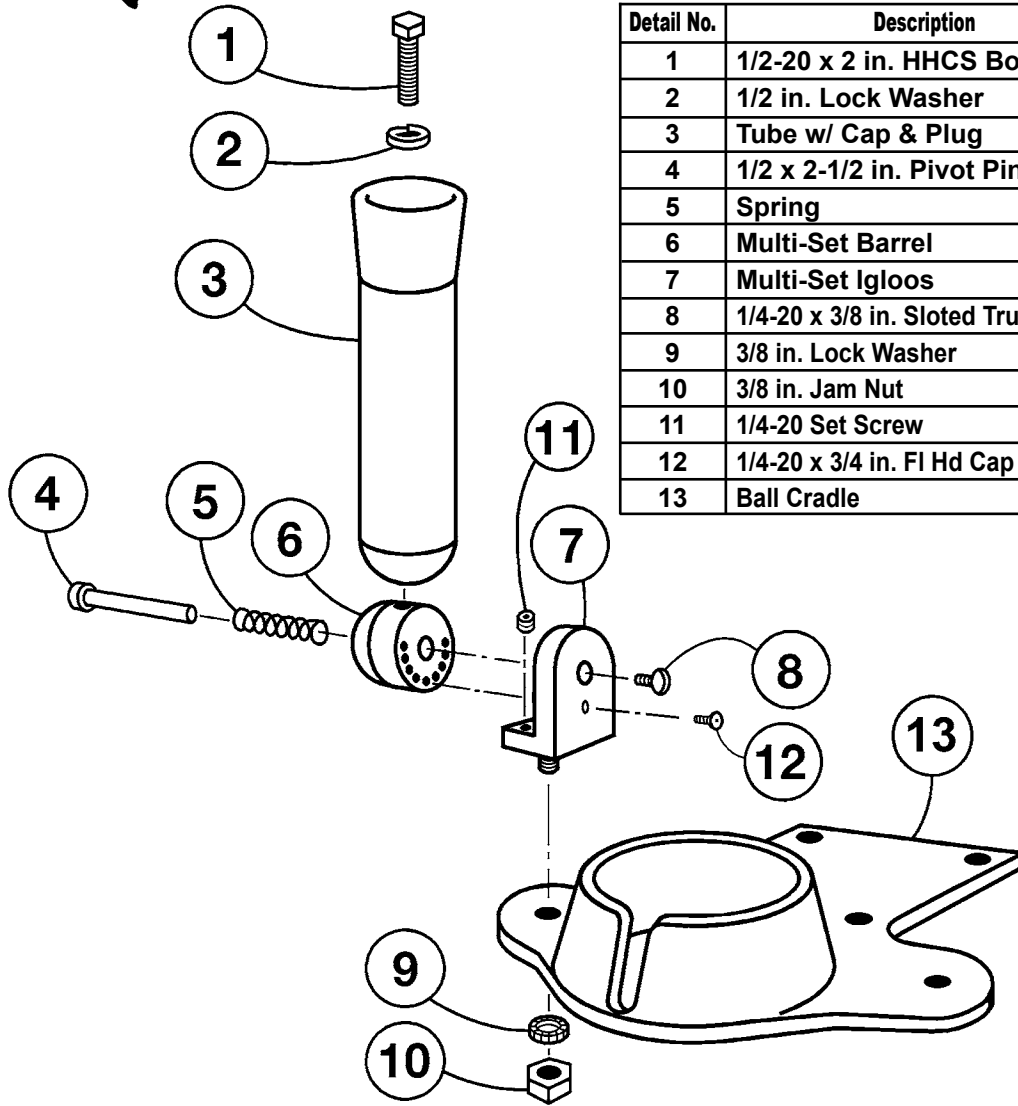




Multi-Set® Rod Holder & Ball Cradle Set

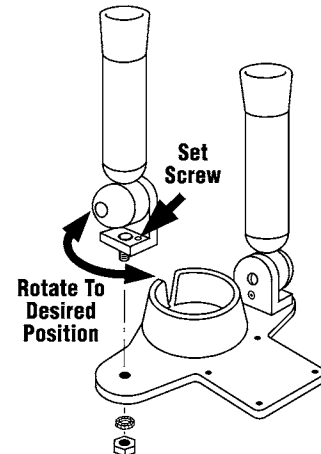
Parts List RH00436

Detail No.	Description	Qty.	Order By Part No.
1	1/2-20 x 2 in. HHCS Bolt	2	2351
2	1/2 in. Lock Washer	2	2241
3	Tube w/ Cap & Plug	2	51221
4	1/2 x 2-1/2 in. Pivot Pin	2	55555
5	Spring	2	2600
6	Multi-Set Barrel	2	55551
7	Multi-Set Igloos	2	55556
8	1/4-20 x 3/8 in. Slotted Truss Hd Screw	2	2158
9	3/8 in. Lock Washer	2	2237
10	3/8 in. Jam Nut	2	2113
11	1/4-20 Set Screw	2	2261
12	1/4-20 x 3/4 in. FI Hd Cap Screws	2	2009
13	Ball Cradle	1	52435



Mounting Instructions

1. Mount the Multi-Set rod holder to the Ball Cradle using the 3/8 inch nut & washer provided
2. Rotate the rod holder to the desired position and secure the set screw using a 1/8 inch Allen wrench



Big Jon Sports, Inc. • 11455 US-31 • Interlochen, MI 49643
 (231) 275-1010 • Fax: (231) 275-1009 • email: emailus@bigjon.com • website: www.bigjon.com