

In the U.S.A., replacement parts may be ordered directly from CANNON Parts Dept., 121 Power Drive, Mankato, Minnesota 56001. In Canada, parts may be ordered from any of the Canadian Authorized Service Centers shown on the enclosed list. Be sure to provide the MODEL and SERIAL numbers of your downrigger when ordering parts. Please use the correct part numbers from the parts list. Payment for any parts ordered from the CANNON parts department, may be by cash, personal check, Discover Card, MasterCard or VISA. To order, call 1-800-227-6433 or FAX 1-800-527-4464.

1	3392505	FRAME - LARGE WHITE (LEXAN)	37	9400005	SPRING - SHAFT CONTACT	73	0267001	▶SIDE PLATE (RH)
2	4427005	NOSE DECAL MAGNUM	38	4421002	COVER - GEAR CASE	74	0267002	▶SIDE PLATE (LH)
3	9040040	HOOK - 1/4" - 20 ROLLED	39	2372100	SCREW - #8 x 5/8" PPHMS [5.EA]	75	0269726	▶PULLY - SWIVEL HEAD
4	2263102	NUT - HEX 1/4"-20	40	9010310	WASHER - THRUST [2.EA]	76	3397300	▶WASHER - .735 OD X .36 ID
5	9280750	SCREW - 1/4" - 20 (RH) x 3/4" PPH	41	9010280	BEARING - THRUST	77	9010070	▶HDW BEARING BRASS[2.EA]
6	0849615	BASE LOCK KNOB	42	2998906	KNOB BRAKE	78	2227820	BOOM END - TELESCOPIC (LEXAN)
7	9040340	BOLT - 3/8"-16 X 1-1/2" HEX	43	0649001	▶KNOB - HAND ADJUST	79	2200148	SNAP & INSULATOR [2.EA]
8	9010001	BEARING - REEL SHAFT NYLINER [2.EA]	44	9130390	▶NUT - KNURLED INSERT 3/8"-24	80	1007334	MOUNTING BASE (LEXAN)
9	9430210	WASHER - 1-1/16" OD X 7/8" ID (NYLON)	45	1479070	O-RING - REEL SHAFT	81	2994893	*BAG ASSEMBLY, MOUNTING (KIT #3)
10	0220477	DEPTH COUNTER - 3 DIGIT	46	9370205	SCREW - 1/4" x 3/4" HEX WASH HD [3.EA]	82	2263102	NUT - HEX 1/4"-20 [4.EA]
11	0833561	GEAR - COUNTER	47	3993200	POWER CABLE ASSEMBLY	83	2371712	WASHER - 9/32" FLAT [4.EA]
12	3397912	REEL ASSEMBLY - TS ELECTRIC	48	3393200	>POWER CABLE - BATTERY	84	9100100	TERMINATOR
13	0233560	>GEAR REEL	49	3393201	>CAP - POWER CABLE - BATTERY	85	9100101	TERMINATOR CUSHION
14	3397902	▶REEL - 3.75" SS	50	3393202	>POWER CABLE - MOTOR	86	9100620	TERMINATOR SNAP & SWIVEL
15	1480071	SHAFT - REEL	51	3393210	>CAP - POWER CABLE - MOTOR	87	9280725	BOLT - TRUSS 1/4" - 20 x 2-1/2" [8.EA]
16	9340131	SCREW - SET 5/16"-18 x 1-3/4" (REEL)	52	1458001	MOTOR 12V DC	88	9370010	SCREW - #4 x 1/2" PPH [3.EA]
17	3775397	SPOOL CABLE SS [400.FT]	53	1497070	GEAR - WORM MOTOR	89	9950357	WASHER - LOCK 1/4" SPLIT [4.EA]
18	9100070	CABLE LEADER SLEEVE [2.EA]	54	9250001	PIN - MOTOR, 3/32" X 3/4" ROLL SS	90	3392010	TELESCOPIC BOOM SS
19	3396554	MOTOR HOUSING - MAG 10 TS (LEXAN)	55	700032	TERMINAL - MOTOR, FEM 12-10 [2.EA]	91	2219822	>BASE TUBE CLAMP
20	1497071	LENSE - WINDOW DISPLAY	56	9010002	BEARING - MOTOR SHAFT	92	2219823	>MID TUBE CLAMP
21	3395609	DECAL - LARGE, MAG 10 TS	57	2263112	NUT - HEX #10-32 BZ	93	2222825	>MID TUBE COLLET
22	3395700	DECAL - POSITIVE ION CONTROL TS	58	3390201	COVER - MOTOR HOUSING TS (LEXAN)	94	2222826	>BASE TUBE COLLET
23	2286792	SWITCH - UP/DN CONTROL	59	3393400	SCREW - #8-18 x 1-1/4" PPHSMS SS [6.EA]	95	3392001	▶BOOM BASE TUBE (SS)
24	2286793	WASHER - SHIM .750 x .1 UP/DN SWITCH	60	701007	O-RING - SMALL	96	3392002	▶BOOM MID TUBE (SS)
25	050176	CABLE ASSY - MAG 10 (SHORT STOP)	61	2332103	SCREW-#6-20 X 3/8"	97	3392003	▶BOOM END TUBE (SS)
26	050175	CONTROL BOARD - MAG 10	62	3395632	DECAL - CANNON LARGE TS [2.EA]	98	2998905	SWIVEL BASE
27	1296831	WIRE - CIRCUIT BREAKER JUMPER (RED)	63	3991903	BAG ASSY - REAR ROD HOLDER TS	99	2249001	>KNOB - RELEASE PIN (LEXAN)
28	3398205	CIRCUIT BREAKER - 30 AMP	64	0290796	>TUBE - ROD HOLDER	100	2267001	>BASE PLATE (LEXAN)
29	1221490	UP/DN SWITCH BOOT	65	2151726	>WASHER - 5/16" FLAT	101	2267002	>SWIVEL PLATE (LEXAN)
30	1221491	CIRCUIT BREAKER BOOT	66	2383106	>NUT - 5/16"-18 SS	102	2267006	>INDEXING PLATE (TAPPED)
31	1480070	SHAFT - DRIVE	67	3319005	>CLAMP - ROD HOLDER w/ SLOT	103	2277001	>NUT - RETAINER RELEASE
32	9250002	PIN - DRIVE SHAFT 3/16" ROLL SS	68	3325002	>DISK - ROD HOLDER	104	2287002	>SPRING - RELEASE PIN
33	0467695	BRAKE PLATE - REEL	69	9040310	>BOLT - HEX 5/16"-18 x 2"	105	2372100	>SCREW - #8 x 5/8" PPHMS [2.EA]
34	1264670	CLUTCH PAD	70	9430160	>WASHER - STAR 5/16"	106	3392600	>RELEASE PIN
35	1433074	GEAR - DRIVER WORM	71	2200109	>OFFSHORE SALTWATER RELEASE	107	9010004	>BEARING - SWIVEL BASE [2.EA]
36	9010003	BEARING - DRIVE SHAFT NYLINER	72	3992300	SWIVEL HEAD ASSEMBLY			

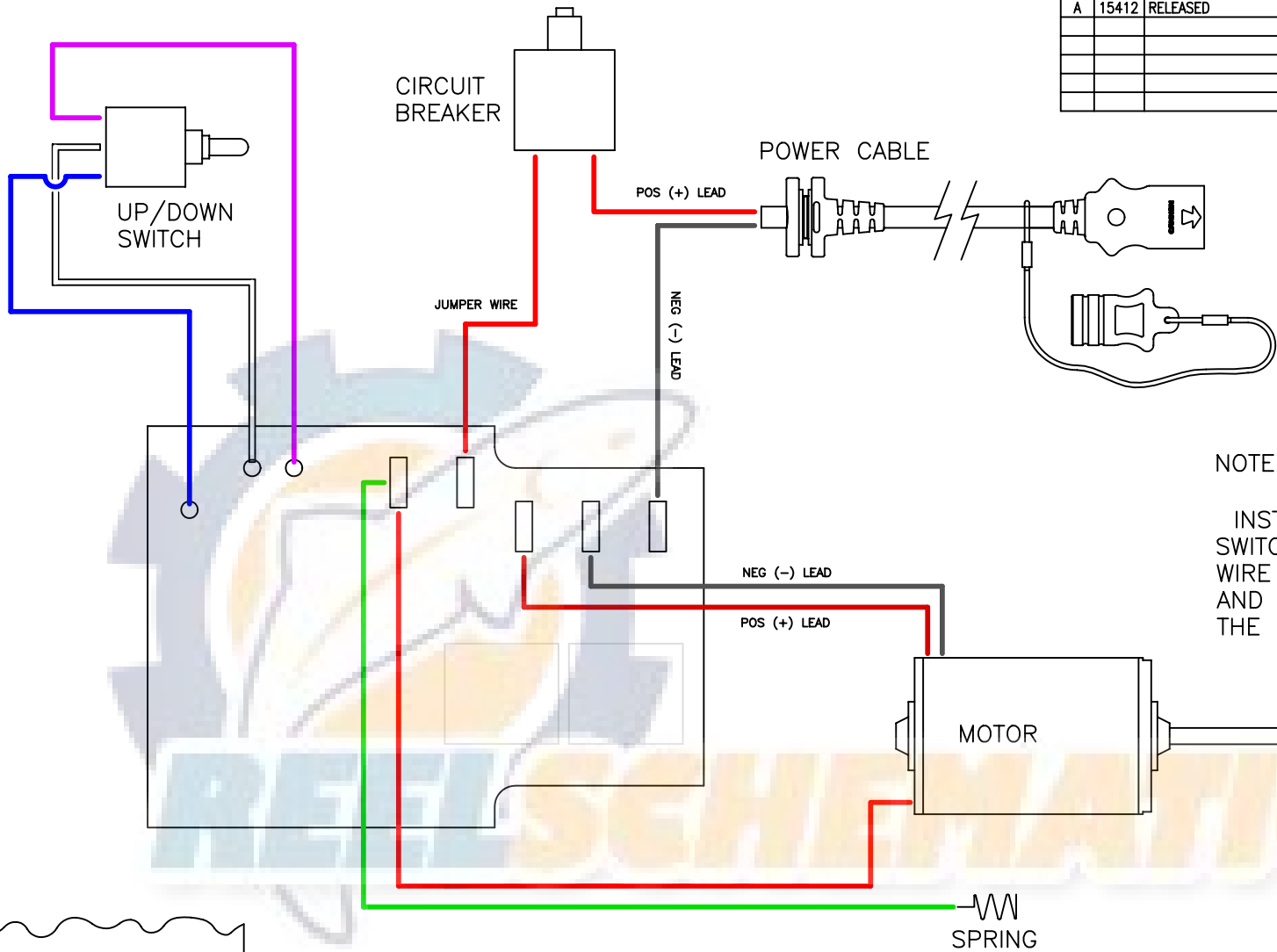
> PART OF ASSEMBLY

▶ ITEM CANNOT BE SOLD SEPARATELY

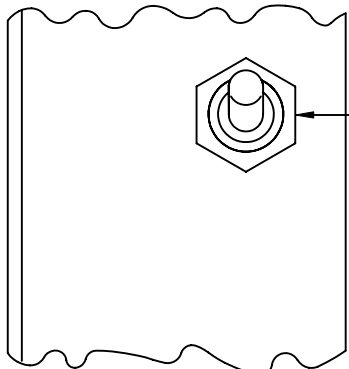
\* PARTS USED BUT NOT SHOWN

PART NO: 339-8102

REVISIONS					
REV.	ECN NO.	DESCRIPTION	BY	DATE	APP'D BY
A	15412	RELEASED	JLL	10/18/06	DJ



NOTE:  
INSTALL THE UP/DOWN SWITCH WITH THE PURPLE WIRE IN THE UP POSITION AND THE BLUE WIRE IN THE DOWN POSITION



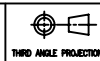
UP/DOWN SWITCH

**MINN KOTA**  
OPERATIONS  
MANKATO, MN

A DIVISION OF **JOHNSON OUTDOORS**  
THE SPIRIT OF ADVENTURE

**TOLERANCES:**  
UNLESS OTHERWISE SPECIFIED  
.000X ±.0010  
.00X ±.005  
.XX ±.010  
X ±.015  
FRACTIONAL ± 1/64  
ANGULAR DIMENSIONS ± 0°30'

**CONFIDENTIAL PROPERTY—**  
This document is the confidential property of Johnson Outdoors and is loaned subject to return upon demand; title to same is never sold/transferred for any reason. This document is to be used only pursuant to written instructions of Johnson Outdoors. All rights to designs and inventions are reserved by Johnson Outdoors. Possession of this document is accepted subject to the foregoing.



DRAWN BY: JLL  
DATE: 10/18/06  
APP'VD BY: DJ  
DATE: 10/18/06  
CHECKED BY: [blank]  
DATE: [blank]

FINISH: NONE	PART NAME: MAG 10 & 5 WIRING DIAGRAM	A SIZE
MATERIAL: NONE	RELEASED ECN# 15412	REV: A
	PART NO.: 339-8102	
	SCALE: NONE	U/M: IN.