

NOTE:
WIRING DIAGRAM
DRAWING #339-8102

In the U.S.A., replacement parts may be ordered directly from CANNON Parts Dept., 121 Power Drive, Mankato, Minnesota 56001. In Canada, parts may be ordered from any of the Canadian Authorized Service Centers shown on the enclosed list. Be sure to provide the MODEL and SERIAL numbers of your downrigger when ordering parts. Please use the correct part numbers from the parts list. Payment for any parts ordered from the CANNON parts department, may be by cash, personal check, Discover Card, MasterCard or VISA. To order, call 1-800-227-6433 or FAX 1-800-527-4464.

1	3392500	FRAME - LARGE BLACK (LEXAN)	31	1480070	SHAFT - DRIVE	61	2332103	SCREW-#6-20 X 3/8"
2	4427005	NOSE DECAL MAGNUM	32	9250002	PIN - DRIVE SHAFT 3/16" ROLL SS	62	3395630	DECAL - CANNON LARGE [2.EA]
3	9040040	HOOK - 1/4" - 20 ROLLED	33	0467695	BRAKE PLATE - REEL	63	2477001	BAG ASSY - SINGLE ROD HOLDER
4	2263102	NUT - HEX 1/4"-20	34	1264670	CLUTCH PAD	64	0290796	>TUBE - ROD HOLDER
5	9280750	SCREW - 1/4" - 20 (RH) x 3/4" PPH	35	1433074	GEAR - DRIVER WORM	65	2151726	>WASHER - 5/16" FLAT
6	0849615	BASE LOCK KNOB	36	9010003	BEARING - DRIVE SHAFT NYLINER	66	2383106	>NUT - 5/16"-18 SS
7	9040340	BOLT - 3/8"-16 X 1-1/2" HEX	37	9400005	SPRING - SHAFT CONTACT	67	3319005	>CLAMP - ROD HOLDER w/ SLOT
8	9010001	BEARING - REEL SHAFT NYLINER [2.EA]	38	4421002	COVER - GEAR CASE	68	3325002	>DISK - ROD HOLDER
9	9430210	WASHER - 1-1/16" OD X 7/8" ID (NYLON)	39	2372100	SCREW - #8 x 5/8" PPHMS [5.EA]	69	9040310	>BOLT - HEX 5/16"-18 x 2"
10	0220477	DEPTH COUNTER - 3 DIGIT	40	9010310	WASHER - THRUST [2.EA]	70	9430160	>WASHER - STAR 5/16"
11	0833561	GEAR - COUNTER	41	9010280	BEARING - THRUST	71	2277002	>UNIVERSAL LINE RELEASE
12	0274000	REEL ASSEMBLY - HS ELECTRIC	42	2998906	KNOB BRAKE	72	3992300	SWIVEL HEAD ASSEMBLY
13	0233560	>GEAR REEL	43	0649001	▶KNOB - HAND ADJUST	73	0267001	▶SIDE PLATE (RH)
14	0274731	▶REEL - MACHINED 3.75"	44	9130390	▶NUT - KNURLED INSERT 3/8"-24	74	0267002	▶SIDE PLATE (LH)
15	1480071	SHAFT - REEL	45	1479070	O-RING - REEL SHAFT	75	0269726	▶PULLY - SWIVEL HEAD
16	9340131	SCREW - SET 5/16"-18 x 1-3/4" (REEL)	46	9370205	SCREW - 1/4" x 3/4" HEX WASH HD [3.EA]	76	3397300	▶WASHER - .735 OD X .36 ID
17	3775394	SPOOL CABLE SS [250.FT]	47	3993200	POWER CABLE ASSEMBLY	77	9010070	▶HDW BEARING BRASS[2.EA]
18	9100070	CABLE LEADER SLEEVE [2.EA]	48	3393200	>POWER CABLE - BATTERY	78	2216403	BOOM END (LEXAN)
19	3396552	MOTOR HOUSING - MAG 5 (LEXAN)	49	3393201	>CAP - POWER CABLE - BATTERY	79	2200148	SNAP & INSULATOR [2.EA]
20	1497071	LENSE - WINDOW DISPLAY	50	3393202	>POWER CABLE - MOTOR	80	1007334	MOUNTING BASE (LEXAN)
21	3395612	DECAL - LARGE, MAG 5 HS	51	3393210	>CAP - POWER CABLE -MOTOR	81	2994892	*BAG ASSEMBLY, MOUNTING (KIT #2)
22	3395702	DECAL - POSITIVE ION CONTROL	52	1458001	MOTOR 12V DC	82	2263102	NUT - HEX 1/4"-20 [4.EA]
23	2286792	SWITCH - UP/DN CONTROL	53	1497070	GEAR - WORM MOTOR	83	2371712	WASHER - 9/32" FLAT [4.EA]
24	2286793	WASHER - SHIM .750 x .1 UP/DN SWITCH	54	9250001	PIN - MOTOR, 3/32" X 3/4" ROLL SS	84	9100100	TERMINATOR
25	050176	CABLE ASSY - MAG 5 (SHORT STOP)	55	700032	TERMINAL - MOTOR, FEM 12-10 [2.EA]	85	9100101	TERMINATOR CUSHION
26	050175	CONTROL BOARD - MAG 5	56	9010002	BEARING - MOTOR SHAFT	86	9100620	TERMINATOR SNAP & SWIVEL
27	1296831	WIRE - CIRCUIT BREAKER JUMPER (RED)	57	2263112	NUT - HEX #10-32 BZ	87	9280730	BOLT - TRUSS 1/4" - 20 x 4" [4.EA]
28	3398205	CIRCUIT BREAKER - 30 AMP	58	1421070	COVER - MOTOR HOUSING (LEXAN)	88	9370010	SCREW - #4 x 1/2" PPH [3.EA]
29	1221490	UP/DN SWITCH BOOT	59	3393400	SCREW - #8-18 x 1-1/4" PPHMS SS [6.EA]	89	9950357	WASHER - LOCK 1/4" SPLIT [4.EA]
30	1221491	CIRCUIT BREAKER BOOT	60	701007	O-RING - SMALL	90	2290828	24" BOOM - HEAVY DUTY

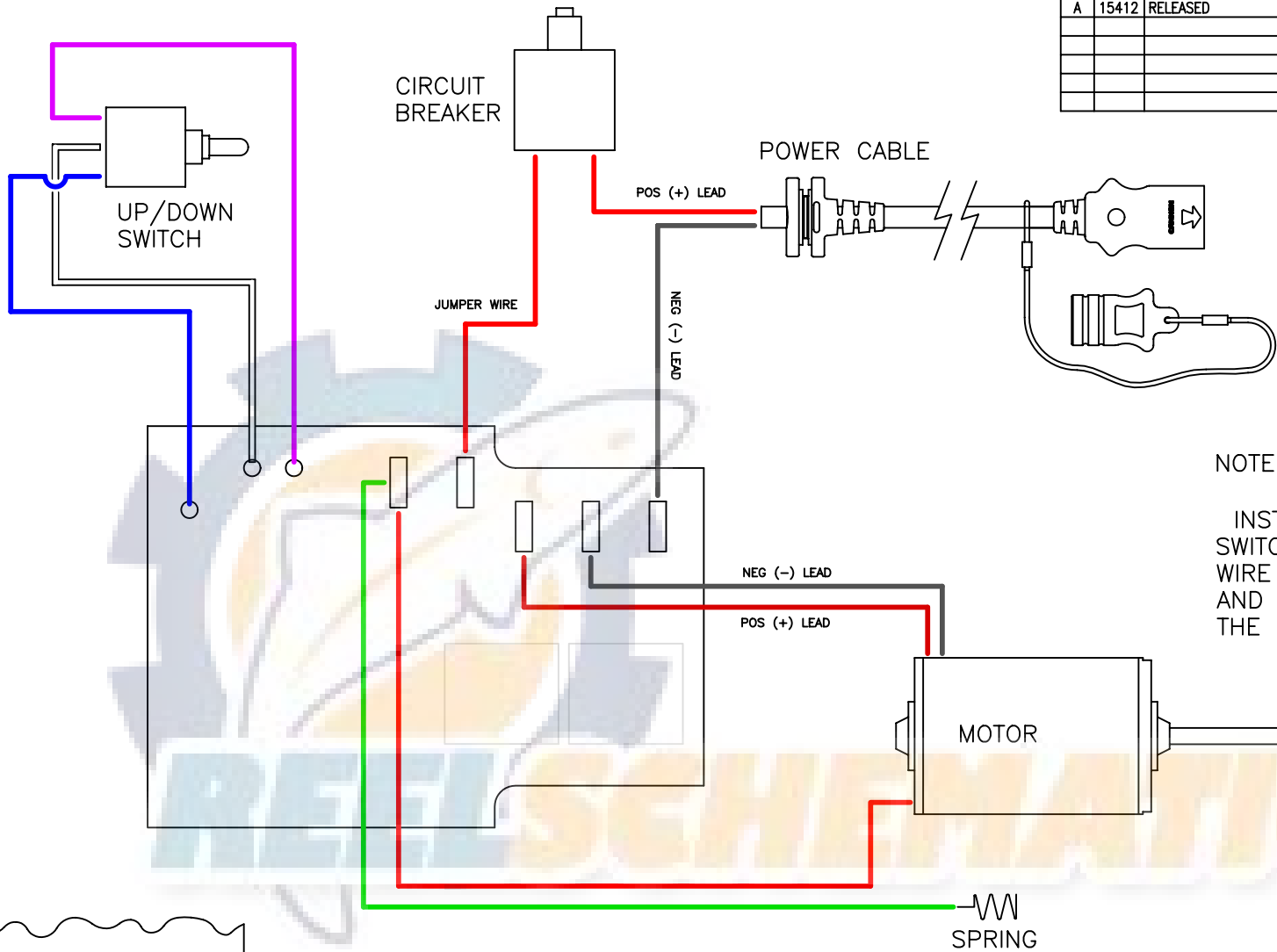
> PART OF ASSEMBLY

▶ ITEM CANNOT BE SOLD SEPARATELY

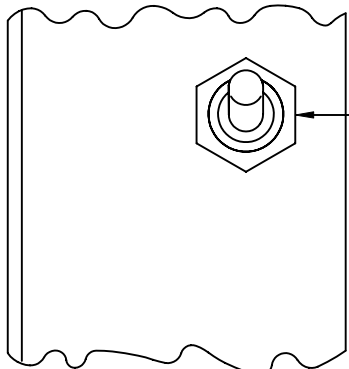
* PARTS USED BUT NOT SHOWN

PART NO: 339-8102

REVISIONS					
REV.	ECN NO.	DESCRIPTION	BY	DATE	APP'D BY
A	15412	RELEASED	JLL	10/18/06	DJ



NOTE:
INSTALL THE UP/DOWN SWITCH WITH THE PURPLE WIRE IN THE UP POSITION AND THE BLUE WIRE IN THE DOWN POSITION



UP/DOWN SWITCH

MINN KOTA
OPERATIONS
MANKATO, MN

A DIVISION OF **JOHNSON OUTDOORS**
THE SPIRIT OF ADVENTURE

TOLERANCES:
UNLESS OTHERWISE SPECIFIED
.000X ±.0010
.00X ±.005
.XX ±.010
X ±.015
FRACTIONAL ± 1/64
ANGULAR DIMENSIONS ± 0°30'

CONFIDENTIAL PROPERTY—
This document is the confidential property of Johnson Outdoors and is loaned subject to return upon demand; title to same is never sold/transferred for any reason. This document is to be used only pursuant to written instructions of Johnson Outdoors. All rights to designs and inventions are reserved by Johnson Outdoors. Possession of this document is accepted subject to the foregoing.

THIRD ANGLE PROJECTION

DRAWN BY: JLL DATE: 10/18/06
APP'VD BY: DJ DATE: 10/18/06
CHECKED BY: DATE:

FINISH: NONE	PART NAME: MAG 10 & 5 WIRING DIAGRAM	A SIZE
MATERIAL: NONE	RELEASED ECN# 15412	REV: A
	PART NO.: 339-8102	
	SCALE: NONE	U/M: IN.