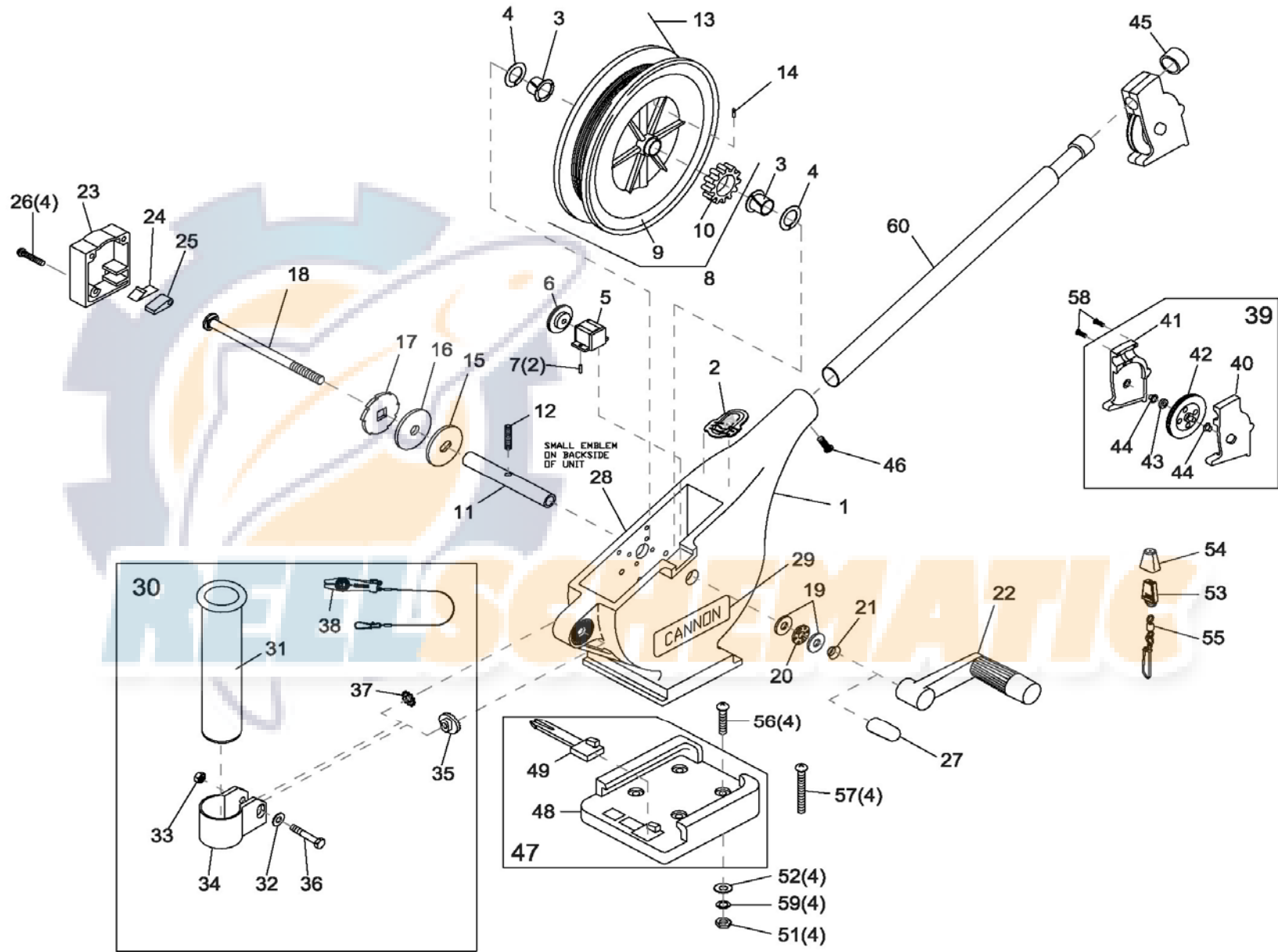




EASI-TROLL METRIC™

for use with "AH" serial numbers



In the U.S.A., replacement parts may be ordered directly from CANNON Parts Dept., 121 Power Drive, Mankato, Minnesota 56001. In Canada, parts may be ordered from any of the Canadian Authorized Service Centers shown on the enclosed list. Be sure to provide the MODEL and SERIAL numbers of your downrigger when ordering parts. Please use the correct part numbers from the parts list. Payment for any parts ordered from the CANNON parts department, may be by cash, personal check, Discover Card, MasterCard or VISA. To order, call 1-800-227-6433 or FAX 1-800-527-4464.

1	3330001	FRAME - EASI-TROLL (LEXAN)	31	0290796	>TUBE - ROD HOLDER
2	3327006	DECAL - NOSE, EASI-TROLL	32	2151726	>WASHER - 5/16" FLAT
3	9010001	BEARING - REEL SHAFT [2.EA]	33	2383106	>NUT - 5/16"-18 SS
4	9430003	WASHER - 5/8" NYLON ROUND [2.EA]	34	3319005	>CLAMP - ROD HOLDER w/ SLOT
5	3320011	DEPTH COUNTER - 3 DIGIT (METRIC)	35	3325002	>DISK - ROD HOLDER
6	3333010	COUNTER GEAR (METRIC)	36	9040310	>BOLT - HEX 5/16"-18 x 2"
7	0854654	COUNTER CUSHION/STOPPER [2.EA]	37	9430160	>WASHER - STAR 5/16"
8	3374010	REEL ASSY - HS ELECTRIC (METRIC)	38	2277002	>UNIVERSAL LINE RELEASE
9	0274732	▶REEL - ROUGH 3.75"	39	3992300	SWIVEL HEAD ASSEMBLY
10	3333011	>GEAR - REEL (METRIC)	40	0267001	▶SIDE PLATE (RH)
11	1080001	SHAFT - REEL	41	0267002	▶SIDE PLATE (LH)
12	339-3412	SCREW - SET 5/16"-18 x 1" (REEL)	42	0269726	▶PULLY - SWIVEL HEAD
13	3775396	SPOOL CABLE SS [200.FT]	43	3397300	▶WASHER - .735 OD X .36 ID
14	9100070	CABLE LEADER SLEEVE	44	9010070	▶HDW BEARING BRASS[2.EA]
15	0467695	BRAKE PLATE - REEL	45	3316001	CAP - BOOM END
16	1264670	CLUTCH PAD	46	9370002	SCREW - #8-32 SELF TAPPING
17	0467694	BRAKE PLATE - RATCHET	47	2998901	TAB LOCK MOUNTING BASE
18	1000904	SHAFT - RATCHET	48	3307003	BASE - TAB LOCK, NO TAB (LEXAN)
19	9010310	WASHER - THRUST [2.EA]	49	3391001	LOCKING TAB
20	9010280	BEARING - THRUST	50	2994894	*BAG ASSEMBLY, MOUNTING (KIT #4)
21	9400040	SPRING - HAND CRANK	51	2263102	NUT - HEX 1/4"-20 [4.EA]
22	0422004	CRANK HANDLE, EASI-TROLL	52	2371712	WASHER - 9/32" FLAT [4.EA]
23	1021480	CLUTCH COVER	53	9100100	TERMINATOR
24	9400070	SPRING - DOG RATCHET	54	9100101	TERMINATOR CUSHION
25	9100160	DOG - RATCHET	55	9100620	TERMINATOR SNAP & SWIVEL
26	9370220	SCREW - #10 x 1-1/4" FH TYPE A [4.EA]	56	9280713	BOLT - TRUSS 1/4" - 20 x 1-1/2" [4.EA]
27	9100721	RED THREAD CAP	57	9280725	BOLT - TRUSS 1/4" - 20 x 2-1/2" [4.EA]
28	339-5631	DECAL - CANNON SMALL (BLACK)	58	9370010	SCREW - #4 x 1/2" PPH [3.EA]
29	339-5630	DECAL - CANNON LARGE (BLACK)	59	9950357	WASHER - LOCK 1/4" SPLIT [4.EA]
30	2477001	BAG ASSY - SINGLE ROD HOLDER	60	3310002	24" BOOM - COPOLYMER

> PART OF ASSEMBLY

▶ ITEM CANNOT BE SOLD SEPARATELY

* PARTS USED BUT NOT SHOWN