

NOTE:
WIRING DIAGRAM
DRAWING #3398101

In the U.S.A., replacement parts may be ordered directly from CANNON Parts Dept., 121 Power Drive, Mankato, Minnesota 56001. In Canada, parts may be ordered from any of the Canadian Authorized Service Centers shown on the enclosed list. Be sure to provide the MODEL and SERIAL numbers of your downrigger when ordering parts. Please use the correct part numbers from the parts list. Payment for any parts ordered from the CANNON parts department, may be by cash, personal check, Discover Card, MasterCard or VISA. To order, call 1-800-227-6433 or FAX 1-800-527-4464.

| | | | | | | | | |
|----|---------|---------------------------------------|----|---------|---|-----|---------|--|
| 1 | 3392505 | FRAME - LARGE WHITE (LEXAN) | 40 | 1480070 | SHAFT - DRIVE | 79 | 9430160 | >WASHER - STAR 5/16" |
| 2 | 4427005 | NOSE DECAL MAGNUM | 41 | 9250002 | PIN - DRIVE SHAFT 3/16" ROLL SS | 80 | 2200109 | >OFFSHORE SALTWATER RELEASE |
| 3 | 9040040 | HOOK - 1/4" - 20 ROLLED | 42 | 0467695 | BRAKE PLATE - REEL | 81 | 3992300 | SWIVEL HEAD ASSEMBLY |
| 4 | 2263102 | NUT - HEX 1/4"-20 | 43 | 3391710 | CLUTCH PAD | 82 | 0267001 | ▶SIDE PLATE (RH) |
| 5 | 9280750 | SCREW - 1/4" - 20 (RH) x 3/4" PPH | 44 | 1433074 | GEAR - DRIVER WORM | 83 | 0267002 | ▶SIDE PLATE (LH) |
| 6 | 0849615 | BASE LOCK KNOB | 45 | 9010003 | BEARING - DRIVE SHAFT NYLINER | 84 | 0269726 | ▶PULLY - SWIVEL HEAD |
| 7 | 9040340 | BOLT - 3/8"-16 X 1-1/2" HEX | 46 | 9400005 | SPRING - SHAFT CONTACT | 85 | 3397300 | ▶WASHER - .735 OD X .36 ID |
| 8 | 9010001 | BEARING - REEL SHAFT NYLINER [2.EA] | 47 | 4421002 | COVER - GEAR CASE | 86 | 9010070 | ▶HDW BEARING BRASS[2.EA] |
| 9 | 9430210 | WASHER - 1-1/16" OD X 7/8" ID (NYLON) | 48 | 2372100 | SCREW - #8 x 5/8" PPHMS [5.EA] | 87 | 2227820 | BOOM END - TELESCOPIC (LEXAN) |
| 10 | 0220477 | DEPTH COUNTER - 3 DIGIT | 49 | 9010310 | WASHER - THRUST [2.EA] | 88 | 2200148 | SNAP & INSULATOR [2.EA] |
| 11 | 0833561 | GEAR - COUNTER | 50 | 9010280 | BEARING - THRUST | 89 | 1007334 | MOUNTING BASE (LEXAN) |
| 12 | 3397912 | REEL ASSEMBLY - TS ELECTRIC | 51 | 2998906 | KNOB BRAKE | 90 | 2994893 | *BAG ASSEMBLY, MOUNTING (KIT #3) |
| 13 | 0233560 | >GEAR REEL | 52 | 0649001 | ▶KNOB - HAND ADJUST | 91 | 2263102 | NUT - HEX 1/4"-20 [4.EA] |
| 14 | 3397902 | ▶REEL - 3.75" SS | 53 | 9130390 | ▶NUT - KNURLED INSERT 3/8"-24 | 92 | 2371712 | WASHER - 9/32" FLAT [4.EA] |
| 15 | 1459666 | REEL MAGNET [2.EA] | 54 | 1479070 | O-RING - REEL SHAFT | 93 | 9100100 | TERMINATOR |
| 16 | 1480071 | SHAFT - REEL | 55 | 9370205 | SCREW - 1/4" x 3/4" HEX WASH HD [3.EA] | 94 | 9100101 | TERMINATOR CUSHION |
| 17 | 9340131 | SCREW - SET 5/16"-18 x 1-3/4" (REEL) | 56 | 3993200 | POWER CABLE ASSEMBLY | 95 | 9100620 | TERMINATOR SNAP & SWIVEL |
| 18 | 3775397 | SPOOL CABLE SS [400.FT] | 57 | 3393200 | >POWER CABLE - BATTERY | 96 | 9280725 | BOLT - TRUSS 1/4" - 20 x 2-1/2" [8.EA] |
| 19 | 9100070 | CABLE LEADER SLEEVE [2.EA] | 58 | 3393201 | >CAP - POWER CABLE - BATTERY | 97 | 9370010 | SCREW - #4 x 1/2" PPH [3.EA] |
| 20 | 3396534 | MOTOR HOUSING - MAG 20 TS (LEXAN) | 59 | 3393202 | >POWER CABLE - MOTOR | 98 | 9950357 | WASHER - LOCK 1/4" SPLIT [4.EA] |
| 21 | 1497074 | LENS - WINDOW DISPLAY | 60 | 3393210 | >CAP - POWER CABLE -MOTOR | 99 | 3392010 | TELESCOPIC BOOM SS |
| 22 | 3395601 | DECAL - LARGE, MAG 20 DT/TS | 61 | 3391000 | MOTOR 12V DC | 100 | 2219822 | >BASE TUBE CLAMP |
| 23 | 3395700 | DECAL - POSITIVE ION CONTROL TS | 62 | 1497070 | GEAR - WORM MOTOR | 101 | 2219823 | >MID TUBE CLAMP |
| 24 | 2286792 | SWITCH - UP/DN CONTROL | 63 | 9250001 | PIN - MOTOR, 3/32" X 3/4" ROLL SS | 102 | 2222825 | >MID TUBE COLLET |
| 25 | 2286793 | WASHER - SHIM .750 x .1 UP/DN SWITCH | 64 | 700032 | TERMINAL - MOTOR, FEM 12-10 [2.EA] | 103 | 2222826 | >BASE TUBE COLLET |
| 26 | 3395701 | DECAL - PIC KNOB DIAL TS | 65 | 9010002 | BEARING - MOTOR SHAFT | 104 | 3392001 | ▶BOOM BASE TUBE (SS) |
| 27 | 050268 | CABLE ASSY - MAG20DT (DATA IN/OUT) | 66 | 2263112 | NUT - HEX #10-32 BZ | 105 | 3392002 | ▶BOOM MID TUBE (SS) |
| 28 | 050215 | POSITIVE ION CONTROL POT | 67 | 3390201 | COVER - MOTOR HOUSING TS (LEXAN) | 106 | 3392003 | ▶BOOM END TUBE (SS) |
| 29 | 611005 | KNOB - POSITIVE ION CONTROL | 68 | 3393400 | SCREW - #8-18 x 1-1/4" PPHSMS SS [6.EA] | 107 | 2998905 | SWIVEL BASE |
| 30 | 700176 | CAP - CONNECTION PORT [2.EA] | 69 | 701-007 | O-RING - SMALL | 108 | 2249001 | >KNOB - RELEASE PIN (LEXAN) |
| 31 | 609209 | CABLE ASSY - MAG20DT UP/DN SWITCH | 70 | 2332103 | SCREW-#6-20 X 3/8" | 109 | 2267001 | >BASE PLATE (LEXAN) |
| 32 | 609253 | CABLE ASSY - ANTENNA IN (SENSOR) | 71 | 3395632 | DECAL - CANNON LARGE TS [2.EA] | 110 | 2267002 | >SWIVEL PLATE (LEXAN) |
| 33 | 1234002 | INSERT - 1/4" PRESS THD #6-32 | 72 | 3991903 | BAG ASSY - REAR ROD HOLDER TS | 111 | 2267006 | >INDEXING PLATE (TAPPED) |
| 34 | 603103 | SCREW - MACH #6-32 x 3/8" SS | 73 | 0290796 | >TUBE - ROD HOLDER | 112 | 2277001 | >NUT - RETAINER RELEASE |
| 35 | 3394004 | CONTROL BOARD - MAG 20 DT | 74 | 2151726 | >WASHER - 5/16" FLAT | 113 | 2287002 | >SPRING - RELEASE PIN |
| 36 | 1296831 | WIRE - CIRCUIT BREAKER JUMPER (RED) | 75 | 2383106 | >NUT - 5/16"-18 SS | 114 | 2372100 | >SCREW - #8 x 5/8" PPHMS [2.EA] |
| 37 | 3398205 | CIRCUIT BREAKER - 30 AMP | 76 | 3319005 | >CLAMP - ROD HOLDER w/ SLOT | 115 | 3392600 | >RELEASE PIN |
| 38 | 1221490 | UP/DN SWITCH BOOT | 77 | 3325002 | >DISK - ROD HOLDER | 116 | 9010004 | >BEARING - SWIVEL BASE [2.EA] |
| 39 | 1221491 | CIRCUIT BREAKER BOOT | 78 | 9040310 | >BOLT - HEX 5/16"-18 x 2" | 117 | 2200107 | OFFSHORE STACKER |

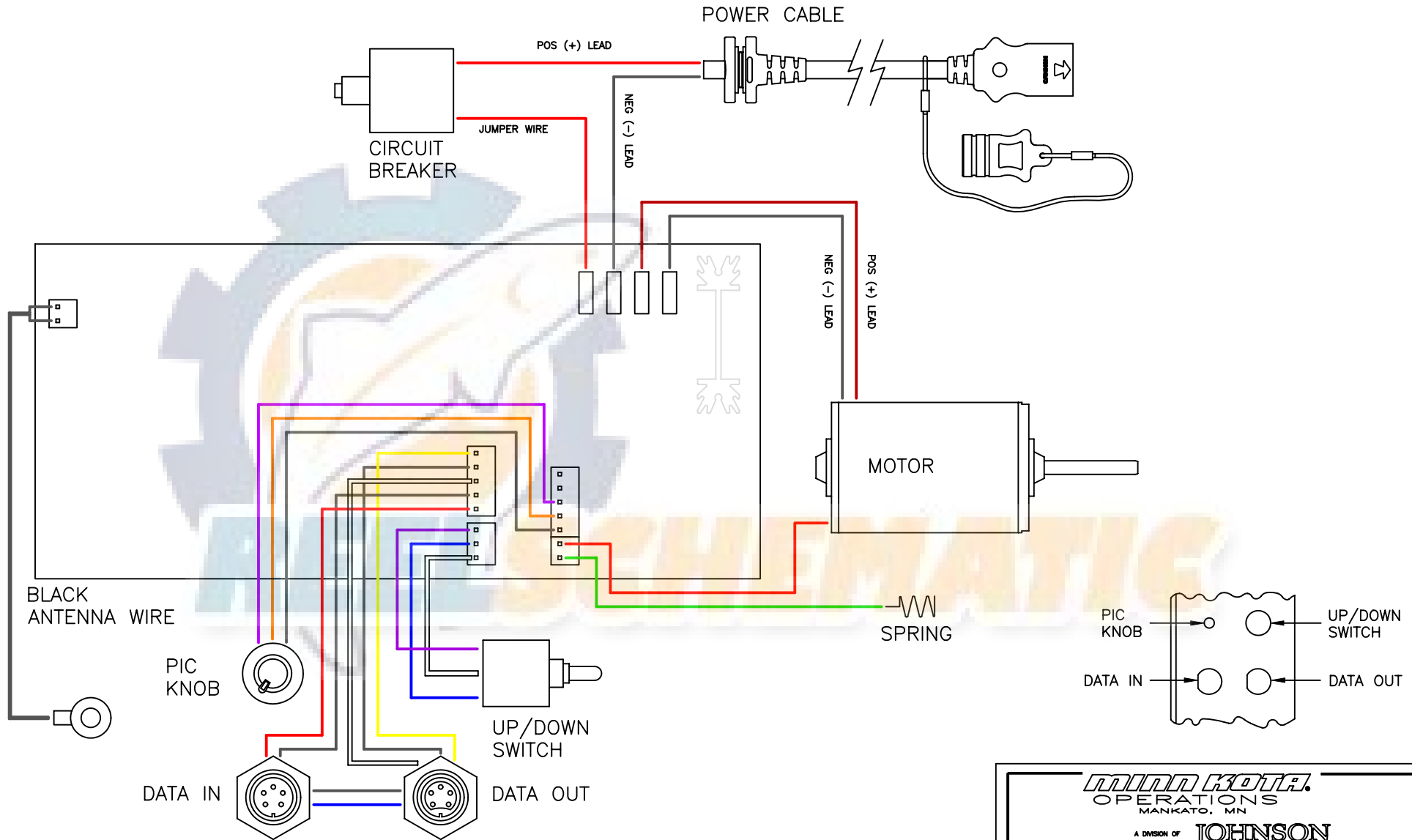
> PART OF ASSEMBLY

▶ITEM CANNOT BE SOLD SEPARATELY

* PARTS USED BUT NOT SHOWN

PART NO: 339-8101

| REVISIONS | | | | | |
|-----------|---------|----------------------------|-----|----------|----------|
| REV. | ECN NO. | DESCRIPTION | BY | DATE | APP'D BY |
| A | 15412 | RELEASED | JLL | 10/18/06 | DJ |
| B | 30583 | REVISED IDC WIRE PLACEMENT | JLL | 11/05/07 | DJ |
| | | | | | |
| | | | | | |
| | | | | | |



TOLERANCES: UNLESS OTHERWISE SPECIFIED
 .XXX ±.0010
 .XX ±.005
 .X ±.010
 .X ±.015
 FRACTIONAL ± 1/64
 ANGULAR DIMENSIONS ± 0°30'

CONFIDENTIAL PROPERTY—
 This document is the confidential property of Johnson Outdoors and is loaned subject to return upon demand; title to same is never sold/transferred for any reason. This document is to be used only pursuant to written instructions of Johnson Outdoors. All rights to designs and inventions are reserved by Johnson Outdoors. Possession of this document is accepted subject to the foregoing.

THIRD ANGLE PROJECTION

DRAWN BY: JLL
 DATE: 10/18/06
 APP'VD BY: DJ
 DATE: 10/18/06
 CHECKED BY: []
 DATE: []

| | | |
|----------------|-------------------------------------|----------|
| FINISH: NONE | PART NAME: MAG 20 DT WIRING DIAGRAM | A SIZE |
| MATERIAL: NONE | RELEASED ECN# 15412 | REV: B |
| | PART NO.: 339-8101 | |
| | SCALE: NONE | U/M: IN. |