

NOTE:
WIRING DIAGRAM
DRAWING #3398101

In the U.S.A., replacement parts may be ordered directly from CANNON Parts Dept., 121 Power Drive, Mankato, Minnesota 56001. In Canada, parts may be ordered from any of the Canadian Authorized Service Centers shown on the enclosed list. Be sure to provide the MODEL and SERIAL numbers of your downrigger when ordering parts. Please use the correct part numbers from the parts list. Payment for any parts ordered from the CANNON parts department, may be by cash, personal check, Discover Card, MasterCard or VISA. To order, call 1-800-227-6433 or FAX 1-800-527-4464.

1	3392500	FRAME - LARGE BLACK (LEXAN)	42	1480070	SHAFT - DRIVE	83	9040310	>BOLT - HEX 5/16"-18 x 2" [3.EA]
2	4427005	NOSE DECAL MAGNUM	43	9250002	PIN - DRIVE SHAFT 3/16" ROLL SS	84	9340101	>SCREW - SET 3/8"-16 x 5/8" [2.EA]
3	9040040	HOOK - 1/4" - 20 ROLLED	44	0467695	BRAKE PLATE - REEL	85	9430160	>WASHER - STAR 5/16" [3.EA]
4	2263102	NUT - HEX 1/4"-20	45	3391710	CLUTCH PAD	86	2277002	>UNIVERSAL LINE RELEASE
5	9280750	SCREW - 1/4" - 20 (RH) x 3/4" PPH	46	1433074	GEAR - DRIVER WORM	87	3998600	>UNI-STACKER RELEASE
6	0849615	BASE LOCK KNOB	47	9010003	BEARING - DRIVE SHAFT NYLINER	88	3992300	SWIVEL HEAD ASSEMBLY
7	9040340	BOLT - 3/8"-16 X 1-1/2" HEX	48	9400005	SPRING - SHAFT CONTACT	89	0267001	▶SIDE PLATE (RH)
8	9010001	BEARING - REEL SHAFT NYLINER [2.EA]	49	4421002	COVER - GEAR CONTACT	90	0267002	▶SIDE PLATE (LH)
9	9430210	WASHER - 1-1/16" OD X 7/8" ID (NYLON)	50	2372100	SCREW - #8 x 5/8" PPHMS [5.EA]	91	0269726	▶PULLY - SWIVEL HEAD
10	3320011	DEPTH COUNTER - 3 DIGIT (METRIC)	51	9010310	WASHER - THRUST [2.EA]	92	3397300	▶WASHER - .735 OD X .36 ID
11	3333010	COUNTER GEAR (METRIC)	52	9010280	BEARING - THRUST	93	9010070	▶HDW BEARING BRASS[2.EA]
12	0854654	COUNTER CUSHION/STOPPER [2.EA]	53	2998906	KNOB BRAKE	94	2227820	BOOM END - TELESCOPIC (LEXAN)
13	3374010	REEL ASSY - HS ELECTRIC (METRIC)	54	0649001	▶KNOB - HAND ADJUST	95	2200148	SNAP & INSULATOR [2.EA]
14	0274731	▶REEL - MACHINED 3.75"	55	9130390	▶NUT - KNURLED INSERT 3/8"-24	96	1007334	MOUNTING BASE (LEXAN)
15	3333011	>GEAR REEL (METRIC)	56	1479070	O-RING - REEL SHAFT	97	2994893	*BAG ASSEMBLY, MOUNTING (KIT #3)
16	1459666	REEL MAGNET [2.EA]	57	9370205	SCREW - 1/4" x 3/4" HEX WASH HD [3.EA]	98	2263102	NUT - HEX 1/4"-20 [4.EA]
17	1480071	SHAFT - REEL	58	3993200	POWER CABLE ASSEMBLY	99	2371712	WASHER - 9/32" FLAT [4.EA]
18	9340131	SCREW - SET 5/16"-18 x 1-3/4" (REEL)	59	3393200	>POWER CABLE - BATTERY	100	9100100	TERMINATOR
19	3775397	SPOOL CABLE SS [400.FT]	60	3393201	>CAP - POWER CABLE - BATTERY	101	9100101	TERMINATOR CUSHION
20	9100070	CABLE LEADER SLEEVE [2.EA]	61	3393202	>POWER CABLE - MOTOR	102	9100620	TERMINATOR SNAP & SWIVEL
21	3396530	MOTOR HOUSING - MAG 20 (LEXAN)	62	3393210	>CAP - POWER CABLE -MOTOR	103	9280725	BOLT - TRUSS 1/4" - 20 x 2-1/2" [8.EA]
22	1497074	LENSE - WINDOW DISPLAY	63	3391000	MOTOR 12V DC	104	9370010	SCREW - #4 x 1/2" PPH [3.EA]
23	3395620	DECAL - LARGE, MAG 20 DT/HS	64	1497070	GEAR - WORM MOTOR	105	9950357	WASHER - LOCK 1/4" SPLIT [4.EA]
24	3395702	DECAL - POSITIVE ION CONTROL	65	9250001	PIN - MOTOR, 3/32" X 3/4" ROLL SS	106	2210821	TELESCOPIC BOOM
25	2286792	SWITCH - UP/DN CONTROL	66	700032	TERMINAL - MOTOR, FEM 12-10 [2.EA]	107	2219822	>BASE TUBE CLAMP
26	3391722	WASHER-FLAT 7/16 SAE	67	9010002	BEARING - MOTOR SHAFT	108	2219823	>MID TUBE CLAMP
27	2286793	WASHER - SHIM .750 x .1 UP/DN SWITCH	68	2263112	NUT - HEX #10-32 BZ	109	2222825	>MID TUBE COLLET
28	3395703	DECAL - PIC KNOB DIAL	69	1421072	COVER - MOTOR HOUSING (LEXAN)	110	2222826	>BASE TUBE COLLET
29	050268	CABLE ASSY - MAG20DT (DATA IN/OUT)	70	3393400	SCREW - #8-18 x 1-1/4" PPHSMS SS [6.EA]	111	2290828	▶BOOM BASE TUBE (BLACK)
30	050215	POSITIVE ION CONTROL POT	71	701-007	O-RING - SMALL	112	2290829	▶BOOM MID TUBE (BLACK)
31	611005	KNOB - POSITIVE ION CONTROL	72	2332103	SCREW-#6-20 X 3/8"	113	2290830	▶BOOM END TUBE (BLACK)
32	700176	CAP - CONNECTION PORT [2.EA]	73	3395630	DECAL - CANNON LARGE [2.EA]	114	2998905	SWIVEL BASE
33	609209	CABLE ASSY - MAG20DT UP/DN SWITCH	74	3991902	BAG ASSY - DUAL REAR ROD HOLDER	115	2249001	>KNOB - RELEASE PIN (LEXAN)
34	609253	CABLE ASSY - ANTENNA IN (SENSOR)	75	0290796	>TUBE - ROD HOLDER [2.EA]	116	2267001	>BASE PLATE (LEXAN)
35	1234002	INSERT - 1/4" PRESS THD #6-32	76	2151726	>WASHER - 5/16" FLAT	117	2267002	>SWIVEL PLATE (LEXAN)
36	603103	SCREW - MACH #6-32 x 3/8" SS	77	2383106	>NUT - 5/16"-18 SS [3.EA]	118	3391919	>INDEXING PLATE (TAPPED)
37	3394044	CONTROL BOARD - MAG 20 DT	78	2411386	>POST - REAR MOUNT (LEXAN)	119	2277001	>NUT - RETAINER RELEASE
38	1296831	WIRE-CIRCUIT BREAKER JUMPER (RED)	79	2411390	>BRACKET - DUAL ROD (LEXAN)	120	2287002	>SPRING - RELEASE PIN
39	3398205	CIRCUIT BREAKER - 30 AMP	80	2419470	>CLAMP - ROD HOLDER [2.EA]	121	2372100	>SCREW - #8 x 5/8" PPHMS [2.EA]
40	1221490	UP/DN SWITCH BOOT	81	3319005	>CLAMP - ROD HOLDER w/ SLOT	122	3392600	>RELEASE PIN
41	1221491	CIRCUIT BREAKER BOOT	82	3325002	>DISK - ROD HOLDER	123	9010004	>BEARING - SWIVEL BASE [2.EA]

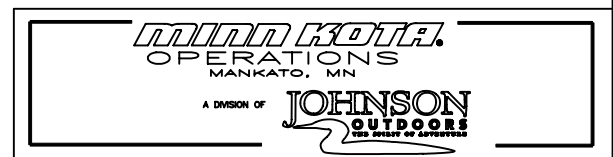
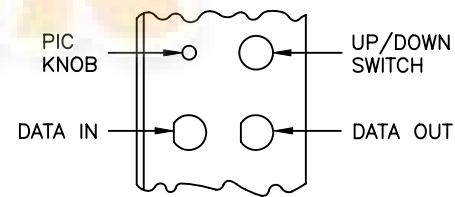
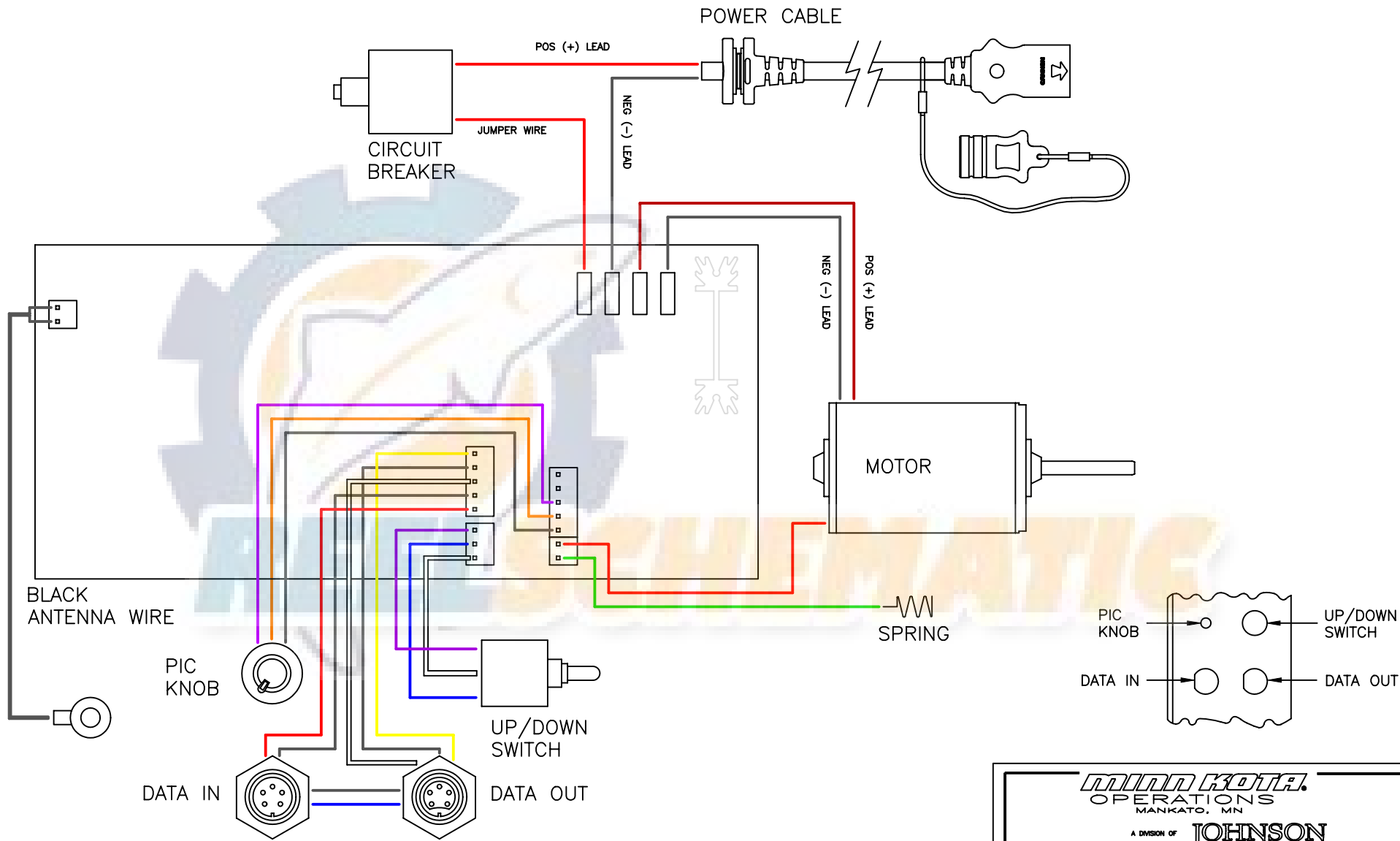
> PART OF ASSEMBLY

▶ ITEM CANNOT BE SOLD SEPARATELY

* PARTS USED BUT NOT SHOWN

PART NO: 339-8101

REVISIONS					
REV.	ECN NO.	DESCRIPTION	BY	DATE	APP'D BY
A	15412	RELEASED	JLL	10/18/06	DJ
B	30583	REVISED IDC WIRE PLACEMENT	JLL	11/05/07	DJ



TOLERANCES: UNLESS OTHERWISE SPECIFIED
 .XXX ±.0010
 .XX ±.005
 .X ±.010
 .X ±.015
 FRACTIONAL ± 1/64
 ANGULAR DIMENSIONS ± 0°30'

CONFIDENTIAL PROPERTY—
 This document is the confidential property of Johnson Outdoors and is loaned subject to return upon demand; title to same is never sold/transferred for any reason. This document is to be used only pursuant to written instructions of Johnson Outdoors. All rights to designs and inventions are reserved by Johnson Outdoors. Possession of this document is accepted subject to the foregoing.

THIRD ANGLE PROJECTION

DRAWN BY: JLL
 DATE: 10/18/06
 APP'VD BY: DJ
 DATE: 10/18/06
 CHECKED BY: []
 DATE: []

FINISH: NONE	PART NAME: MAG 20 DT WIRING DIAGRAM	A SIZE
MATERIAL: NONE	RELEASED ECN# 15412	REV: B
	PART NO.: 339-8101	
	SCALE: NONE	U/M: IN.