

In the U.S.A., replacement parts may be ordered directly from CANNON Parts Dept., 121 Power Drive, Mankato, Minnesota 56001. In Canada, parts may be ordered from any of the Canadian Authorized Service Centers shown on the enclosed list. Be sure to provide the MODEL and SERIAL numbers of your downrigger when ordering parts. Please use the correct part numbers from the parts list. Payment for any parts ordered from the CANNON parts department, may be by cash, personal check, Discover Card, MasterCard or VISA. To order, call 1-800-227-6433 or FAX 1-800-527-4464.

1	3392505	FRAME - LARGE WHITE (LEXAN)	41	1221491	CIRCUIT BREAKER BOOT	81	9430160	>WASHER - STAR 5/16"
2	4427005	NOSE DECAL MAGNUM	42	1480070	SHAFT - DRIVE	82	2200109	>OFFSHORE SALTWATER RELEASE
3	9040040	HOOK - 1/4" - 20 ROLLED	43	9250002	PIN - DRIVE SHAFT 3/16" ROLL SS	83	3992300	SWIVEL HEAD ASSEMBLY
4	2263102	NUT - HEX 1/4"-20	44	0467695	BRAKE PLATE - REEL	84	0267001	▶SIDE PLATE (RH)
5	9280750	SCREW - 1/4" - 20 (RH) x 3/4" PPH	45	3391710	CLUTCH PAD	85	0267002	▶SIDE PLATE (LH)
6	0849615	BASE LOCK KNOB	46	1433074	GEAR - DRIVER WORM	86	0269726	▶PULLY - SWIVEL HEAD
7	9040340	BOLT - 3/8"-16 X 1-1/2" HEX	47	9010003	BEARING - DRIVE SHAFT NYLINER	87	3397300	▶WASHER - .735 OD X .36 ID
8	9010001	BEARING - REEL SHAFT NYLINER [2.EA]	48	9400005	SPRING - SHAFT CONTACT	88	9010070	▶HDW BEARING BRASS[2.EA]
9	9430210	WASHER - 1-1/16" OD X 7/8" ID (NYLON)	49	4421002	COVER - GEAR CASE	89	2227820	BOOM END - TELESCOPIC (LEXAN)
10	3320011	DEPTH COUNTER - 3 DIGIT (METRIC)	50	2372100	SCREW - #8 x 5/8" PPHMS [5.EA]	90	2200148	SNAP & INSULATOR [2.EA]
11	3333010	COUNTER GEAR (METRIC)	51	9010310	WASHER - THRUST [2.EA]	91	1007334	MOUNTING BASE (LEXAN)
12	0854654	COUNTER CUSHION/STOPPER [2.EA]	52	9010280	BEARING - THRUST	92	2994893	*BAG ASSEMBLY, MOUNTING (KIT #3)
13	3397916	REEL ASSEMBLY - TS ELECTRIC (METRIC)	53	2998906	KNOB BRAKE	93	2263102	NUT - HEX 1/4"-20 [4.EA]
14	3333011	>GEAR REEL (METRIC)	54	0649001	▶KNOB - HAND ADJUST	94	2371712	WASHER - 9/32" FLAT [4.EA]
15	3397902	▶REEL - 3.75" SS	55	9130390	▶NUT - KNURLED INSERT 3/8"-24	95	9100100	TERMINATOR
16	1459666	REEL MAGNET [2.EA]	56	1479070	O-RING - REEL SHAFT	96	9100101	TERMINATOR CUSHION
17	1480071	SHAFT - REEL	57	9370205	SCREW - 1/4" x 3/4" HEX WASH HD [3.EA]	97	9100620	TERMINATOR SNAP & SWIVEL
18	3393412	SCREW - SET 5/16"-18 x 1" (REEL)	58	3993200	POWER CABLE ASSEMBLY	98	9280725	BOLT - TRUSS 1/4" - 20 x 2-1/2" [8.EA]
19	3775397	SPOOL CABLE SS [400.FT]	59	3393200	>POWER CABLE - BATTERY	99	9370010	SCREW - #4 x 1/2" PPH [3.EA]
20	9100070	CABLE LEADER SLEEVE [2.EA]	60	3393201	>CAP - POWER CABLE - BATTERY	100	9950357	WASHER - LOCK 1/4" SPLIT [4.EA]
21	3396534	MOTOR HOUSING - MAG 20 TS (LEXAN)	61	3393202	>POWER CABLE - MOTOR	101	3392010	TELESCOPIC BOOM SS
22	1497074	LENSE - WINDOW DISPLAY	62	3393210	>CAP - POWER CABLE -MOTOR	102	2219822	>BASE TUBE CLAMP
23	3395601	DECAL - LARGE, MAG 20 DT/TS	63	3391000	MOTOR 12V DC	103	2219823	>MID TUBE CLAMP
24	3395700	DECAL - POSITIVE ION CONTROL TS	64	1497070	GEAR - WORM MOTOR	104	2222825	>MID TUBE COLLET
25	2286792	SWITCH - UP/DN CONTROL	65	9250001	PIN - MOTOR, 3/32" X 3/4" ROLL SS	105	2222826	>BASE TUBE COLLET
26	3391722	WASHER-FLAT 7/16 SAE	66	700032	TERMINAL - MOTOR, FEM 12-10 [2.EA]	106	3392001	▶BOOM BASE TUBE (SS)
27	2286793	WASHER - SHIM .750 x .1 UP/DN SWITCH	67	9010002	BEARING - MOTOR SHAFT	107	3392002	▶BOOM MID TUBE (SS)
28	3395701	DECAL - PIC KNOB DIAL TS	68	2263112	NUT - HEX #10-32 BZ	108	3392003	▶BOOM END TUBE (SS)
29	050268	CABLE ASSY - MAG20DT (DATA IN/OUT)	69	3390201	COVER - MOTOR HOUSING TS (LEXAN)	109	2998905	SWIVEL BASE
30	050215	POSITIVE ION CONTROL POT	70	3393400	SCREW - #8-18 x 1-1/4" PPHSMS SS [6.EA]	110	2249001	>KNOB - RELEASE PIN (LEXAN)
31	611005	KNOB - POSITIVE ION CONTROL	71	701-007	O-RING - SMALL	111	2267001	>BASE PLATE (LEXAN)
32	700176	CAP - CONNECTION PORT [2.EA]	72	2332103	SCREW-#6-20 X 3/8"	112	2267002	>SWIVEL PLATE (LEXAN)
33	609209	CABLE ASSY - MAG20DT UP/DN SWITCH	73	3395632	DECAL - CANNON LARGE TS [2.EA]	113	3391919	>INDEXING PLATE (TAPPED)
34	609253	CABLE ASSY - ANTENNA IN (SENSOR)	74	3991903	BAG ASSY - REAR ROD HOLDER TS	114	2277001	>NUT - RETAINER RELEASE
35	1234002	INSERT - 1/4" PRESS THD #6-32	75	0290796	>TUBE - ROD HOLDER	115	2287002	>SPRING - RELEASE PIN
36	603103	SCREW - MACH #6-32 x 3/8" SS	76	2151726	>WASHER - 5/16" FLAT	116	2372100	>SCREW - #8 x 5/8" PPHMS [2.EA]
37	3394044	CONTROL BOARD - MAG 20 DT	77	2383106	>NUT - 5/16"-18 SS	117	3392600	>RELEASE PIN
38	1296831	WIRE - CIRCUIT BREAKER JUMPER (RED)	78	3319005	>CLAMP - ROD HOLDER w/ SLOT	118	9010004	>BEARING - SWIVEL BASE [2.EA]
39	3398205	CIRCUIT BREAKER - 30 AMP	79	3325002	>DISK - ROD HOLDER	119	2200107	OFFSHORE STACKER
40	1221490	UP/DN SWITCH BOOT	80	9040310	>BOLT - HEX 5/16"-18 x 2"			

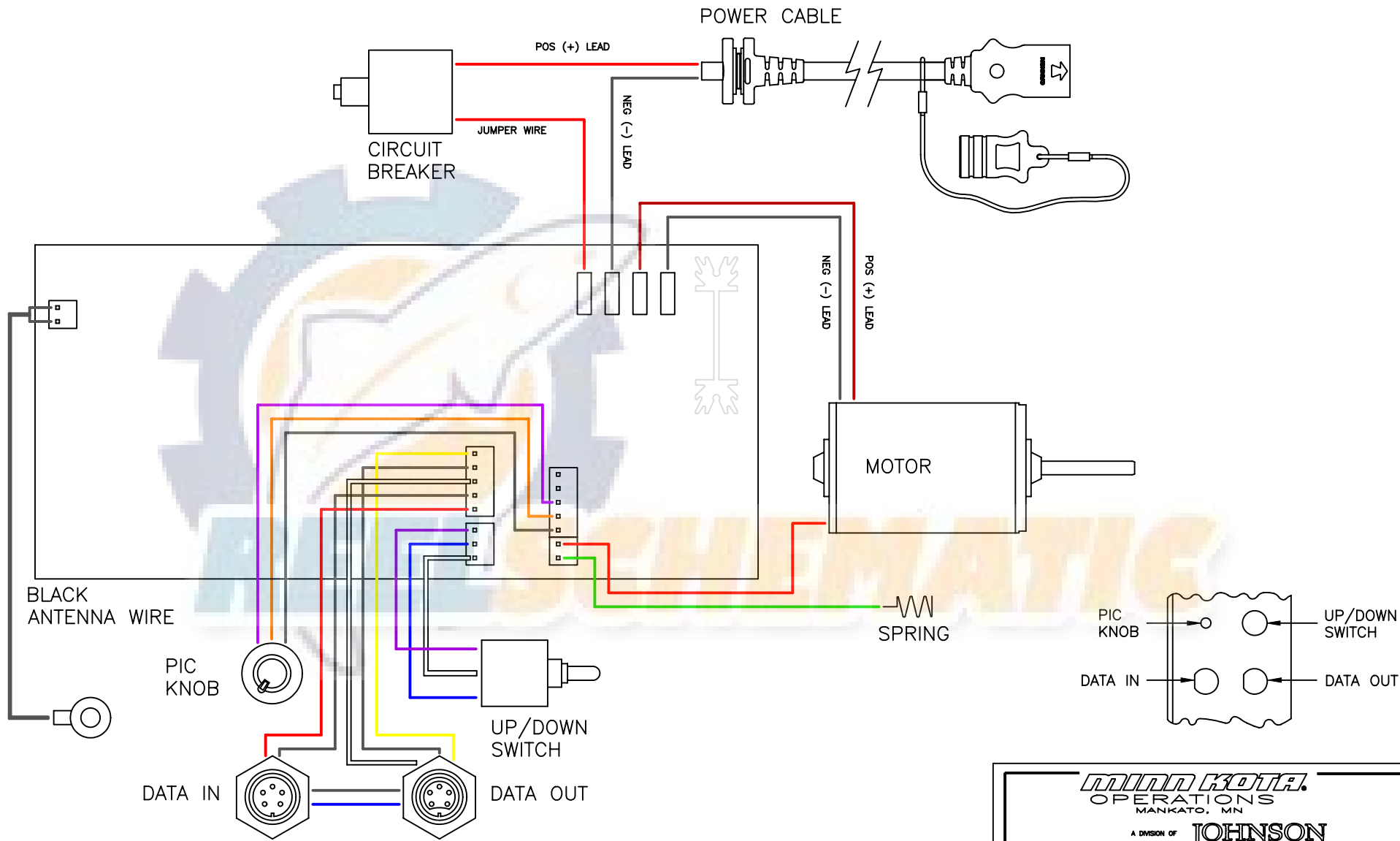
> PART OF ASSEMBLY

▶ ITEM CANNOT BE SOLD SEPARATELY

* PARTS USED BUT NOT SHOWN

PART NO: 339-8101

REVISIONS					
REV.	ECN NO.	DESCRIPTION	BY	DATE	APP'D BY
A	15412	RELEASED	JLL	10/18/06	DJ
B	30583	REVISED IDC WIRE PLACEMENT	JLL	11/05/07	DJ



TOLERANCES: UNLESS OTHERWISE SPECIFIED
 .XXX ±.0010
 .XX ±.005
 .X ±.010
 .X ±.015
 FRACTIONAL ± 1/64
 ANGULAR DIMENSIONS ± 0°30'

CONFIDENTIAL PROPERTY—
 This document is the confidential property of Johnson Outdoors and is loaned subject to return upon demand; title to same is never sold/transferred for any reason. This document is to be used only pursuant to written instructions of Johnson Outdoors. All rights to designs and inventions are reserved by Johnson Outdoors. Possession of this document is accepted subject to the foregoing.

THIRD ANGLE PROJECTION

DRAWN BY: JLL
 DATE: 10/18/06
 APP'VD BY: DJ
 DATE: 10/18/06
 CHECKED BY: []
 DATE: []

FINISH: NONE	PART NAME: MAG 20 DT WIRING DIAGRAM	A SIZE
MATERIAL: NONE	RELEASED ECN# 15412	REV: B
	PART NO.: 339-8101	
	SCALE: NONE	U/M: IN.