

NOTE:
WIRING DIAGRAM
DRAWING #3398102

In the U.S.A., replacement parts may be ordered directly from CANNON Parts Dept., 121 Power Drive, Mankato, Minnesota 56001. In Canada, parts may be ordered from any of the Canadian Authorized Service Centers shown on the enclosed list. Be sure to provide the MODEL and SERIAL numbers of your downrigger when ordering parts. Please use the correct part numbers from the parts list. Payment for any parts ordered from the CANNON parts department, may be by cash, personal check, Discover Card, MasterCard or VISA. To order, call 1-800-227-6433 or FAX 1-800-527-4464.

1	3392500	FRAME - LARGE BLACK (LEXAN)	32	1480070	SHAFT - DRIVE	63	3395630	DECAL - CANNON LARGE [2.EA]
2	4427005	NOSE DECAL MAGNUM	33	9250002	PIN - DRIVE SHAFT 3/16" ROLL SS	64	2477001	BAG ASSY - SINGLE ROD HOLDER
3	9040040	HOOK - 1/4" - 20 ROLLED	34	0467695	BRAKE PLATE - REEL	65	0290796	>TUBE - ROD HOLDER
4	2263102	NUT - HEX 1/4"-20	35	3391710	CLUTCH PAD	66	2151726	>WASHER - 5/16" FLAT
5	9280750	SCREW - 1/4" - 20 (RH) x 3/4" PPH	36	1433074	GEAR - DRIVER WORM	67	2383106	>NUT - 5/16"-18 SS
6	0849615	BASE LOCK KNOB	37	9010003	BEARING - DRIVE SHAFT NYLINER	68	3319005	>CLAMP - ROD HOLDER w/ SLOT
7	9040340	BOLT - 3/8"-16 X 1-1/2" HEX	38	9400005	SPRING - SHAFT CONTACT	69	3325002	>DISK - ROD HOLDER
8	9010001	BEARING - REEL SHAFT NYLINER [2.EA]	39	4421002	COVER - GEAR CASE	70	9040310	>BOLT - HEX 5/16"-18 x 2"
9	9430210	WASHER - 1-1/16" OD X 7/8" ID (NYLON)	40	2372100	SCREW - #8 x 5/8" PPHMS [5.EA]	71	9430160	>WASHER - STAR 5/16"
10	0220477	DEPTH COUNTER - 3 DIGIT	41	9010310	WASHER - THRUST [2.EA]	72	2277002	>UNIVERSAL LINE RELEASE
11	0833561	GEAR - COUNTER	42	9010280	BEARING - THRUST	73	3992300	SWIVEL HEAD ASSEMBLY
12	0274000	REEL ASSEMBLY - HS ELECTRIC	43	2998906	KNOB BRAKE	74	0267001	▶SIDE PLATE (RH)
13	0233560	>GEAR REEL	44	0649001	▶KNOB - HAND ADJUST	75	0267002	▶SIDE PLATE (LH)
14	0274731	▶REEL - MACHINED 3.75"	45	9130390	▶NUT - KNURLED INSERT 3/8"-24	76	0269726	▶PULLY - SWIVEL HEAD
15	1480071	SHAFT - REEL	46	1479070	O-RING - REEL SHAFT	77	3397300	▶WASHER - .735 OD X .36 ID
16	9340131	SCREW - SET 5/16"-18 x 1-3/4" (REEL)	47	9370205	SCREW - 1/4" x 3/4" HEX WASH HD [3.EA]	78	9010070	▶HDW BEARING BRASS[2.EA]
17	3775394	SPOOL CABLE SS [250.FT]	48	3993200	POWER CABLE ASSEMBLY	79	2216403	BOOM END (LEXAN)
18	9100070	CABLE LEADER SLEEVE [2.EA]	49	3393200	>POWER CABLE - BATTERY	80	2200148	SNAP & INSULATOR [2.EA]
19	3396552	MOTOR HOUSING - MAG 5 (LEXAN)	50	3393201	>CAP - POWER CABLE - BATTERY	81	1007334	MOUNTING BASE (LEXAN)
20	1497074	LENSE - WINDOW DISPLAY	51	3393202	>POWER CABLE - MOTOR	82	2994892	*BAG ASSEMBLY, MOUNTING (KIT #2)
21	3395612	DECAL - LARGE, MAG 5 HS	52	3393210	>CAP - POWER CABLE -MOTOR	83	2263102	NUT - HEX 1/4"-20 [4.EA]
22	3395702	DECAL - POSITIVE ION CONTROL	53	3391000	MOTOR 12V DC	84	2371712	WASHER - 9/32" FLAT [4.EA]
23	2286792	SWITCH - UP/DN CONTROL	54	1497070	GEAR - WORM MOTOR	85	9100100	TERMINATOR
24	3391722	WASHER-FLAT 7/16 SAE	55	9250001	PIN - MOTOR, 3/32" X 3/4" ROLL SS	86	9100101	TERMINATOR CUSHION
25	2286793	WASHER - SHIM .750 x .1 UP/DN SWITCH	56	700032	TERMINAL - MOTOR, FEM 12-10 [2.EA]	87	9100620	TERMINATOR SNAP & SWIVEL
26	050176	CABLE ASSY - MAG 5 (SHORT STOP)	57	9010002	BEARING - MOTOR SHAFT	88	9280730	BOLT - TRUSS 1/4" - 20 x 4" [4.EA]
27	3394002	CONTROL BOARD - MAG 5	58	2263112	NUT - HEX #10-32 BZ	89	9370010	SCREW - #4 x 1/2" PPH [3.EA]
28	1296831	WIRE - CIRCUIT BREAKER JUMPER (RED)	59	1421070	COVER - MOTOR HOUSING (LEXAN)	90	9950357	WASHER - LOCK 1/4" SPLIT [4.EA]
29	3398205	CIRCUIT BREAKER - 30 AMP	60	3393400	SCREW - #8-18 x 1-1/4" PPHMS SS [6.EA]	91	2290828	24" BOOM - HEAVY DUTY
30	1221490	UP/DN SWITCH BOOT	61	701-007	O-RING - SMALL			
31	1221491	CIRCUIT BREAKER BOOT	62	2332103	SCREW-#6-20 X 3/8"			

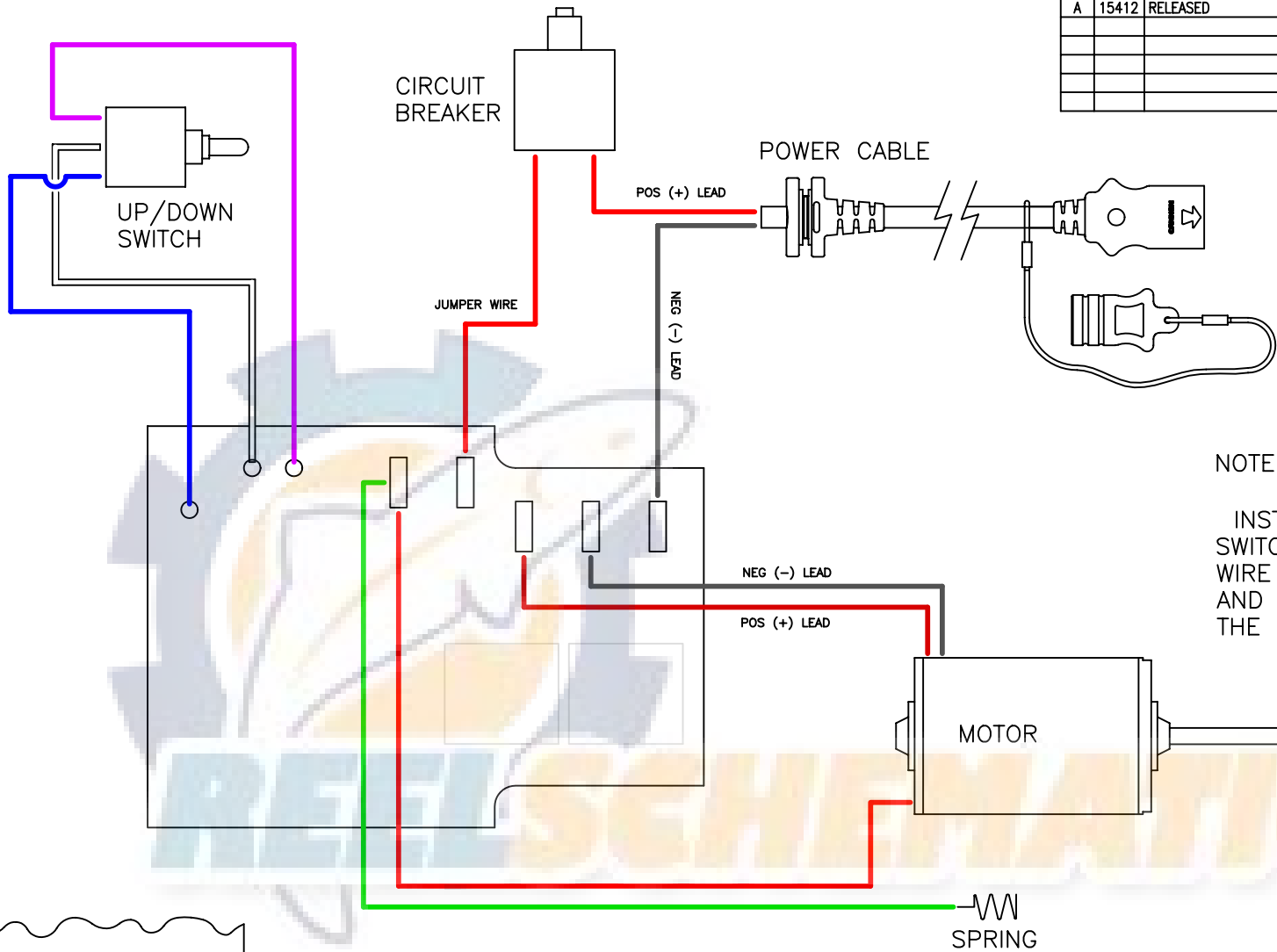
> PART OF ASSEMBLY

▶ ITEM CANNOT BE SOLD SEPARATELY

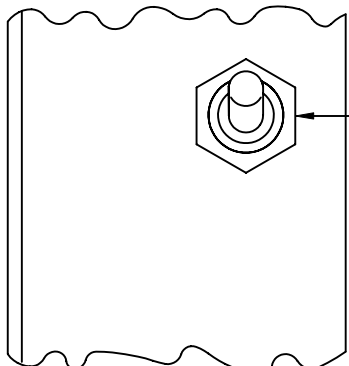
* PARTS USED BUT NOT SHOWN

PART NO: 339-8102

REVISIONS					
REV.	ECN NO.	DESCRIPTION	BY	DATE	APP'D BY
A	15412	RELEASED	JLL	10/18/06	DJ



NOTE:
INSTALL THE UP/DOWN SWITCH WITH THE PURPLE WIRE IN THE UP POSITION AND THE BLUE WIRE IN THE DOWN POSITION



UP/DOWN SWITCH

MINN KOTA
OPERATIONS
MANKATO, MN

A DIVISION OF **JOHNSON OUTDOORS**
THE SPIRIT OF ADVENTURE

TOLERANCES:
UNLESS OTHERWISE SPECIFIED
.000X ±.0010
.00X ±.005
.XX ±.010
X ±.015
FRACTIONAL ± 1/64
ANGULAR DIMENSIONS ± 0°30'

CONFIDENTIAL PROPERTY—
This document is the confidential property of Johnson Outdoors and is loaned subject to return upon demand; title to same is never sold/transferred for any reason. This document is to be used only pursuant to written instructions of Johnson Outdoors. All rights to designs and inventions are reserved by Johnson Outdoors. Possession of this document is accepted subject to the foregoing.



DRAWN BY: JLL
DATE: 10/18/06
APP'VD BY: DJ
DATE: 10/18/06
CHECKED BY: []
DATE: []

FINISH: NONE	PART NAME: MAG 10 & 5 WIRING DIAGRAM	A SIZE
MATERIAL: NONE	RELEASED ECN# 15412	REV: A
	PART NO.: 339-8102	
	SCALE: NONE	U/M: IN.