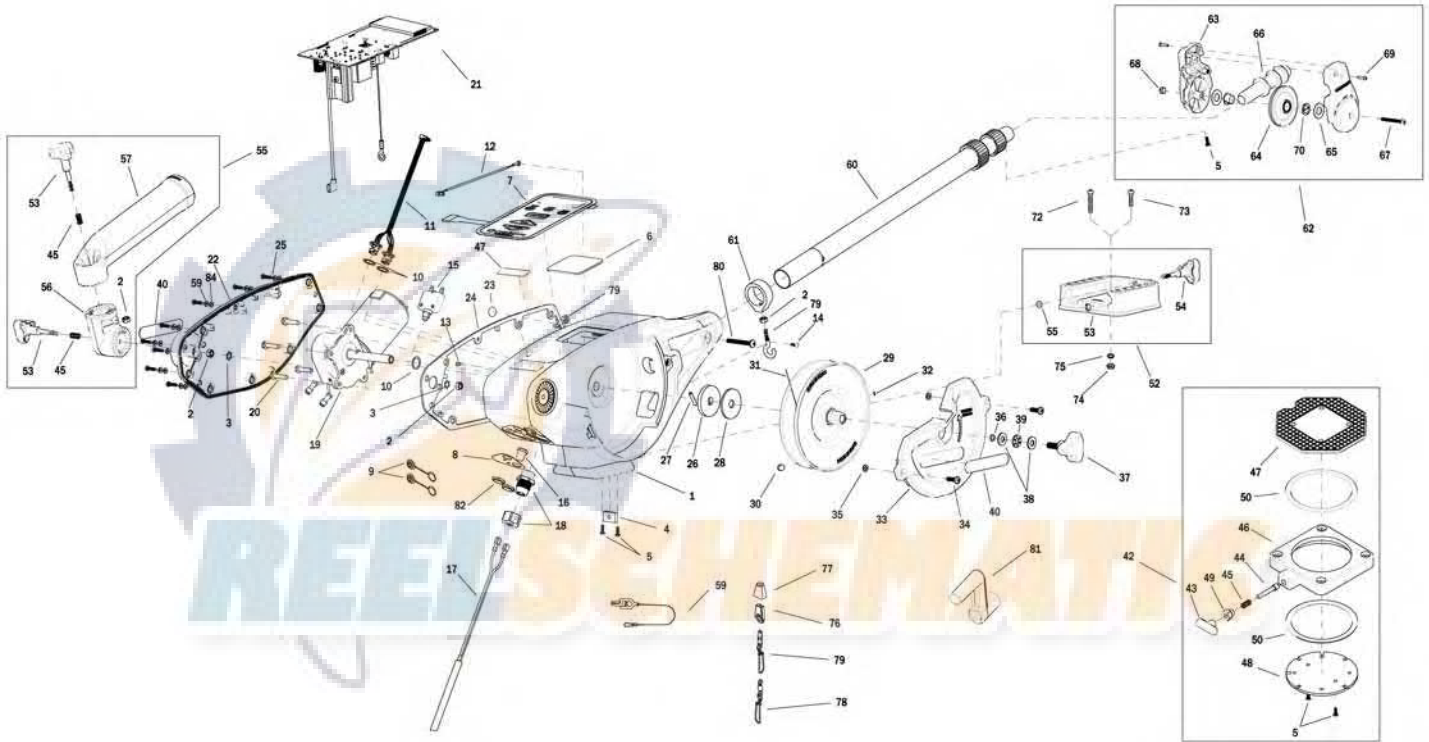


1902320 Digi-Troll 5 TS



1902320 Digi-Troll 5 TS

1	3392525	FRAME, TS	29	3777908	REEL, ROUGH, 3.75" OD, SS	57	3392033	TUBE, DUAL AXIS RD HLDR
2	2263102	NUT-HEX 1/4-20 SS 300SRS	30	1459666	CERAMIC MAGNET P/N 42-B-5020	58	2200109	SALTWATER RELEASE
3	3394722	INSERT, PUSH ON	31	3775397	400' CABLE	59	3394602	WASHER, FLAT, #8, SS
4	3394702	INSERT, BASE	32	9100070	CON LEADER SLEEVE	60	3392010	ASY BOOM TELESCOPIC, SS
5	2373450	SCREW-#8-18 X 3/8 THD* (SS)	33	3390206	COVER, REEL, TS	61	3397900	BALL HOOK EXTRUSION
6	3396510	LENS-WINDOW MAG DTIV	34	2373434	SCREW-1/4-20 X 3/4 SS PPMS	62	3990200	ASSY-CNN, BOOM END
7	3394015	KEYPAD, DIGI-TROLL 5	35	2071718	WASHER #10 NYLON RETAINING	63	3392520	CASE, PULLEY
8	3396602	SEAL PLATE, DT5	36	3394605	O-RING, KNOB	64	3392300	SHEEVE, PULLEY
9	700176	CON XCAP MINI-CON PANEL MOUNT	37	3390103	KNOB, SOFT GRIP, CLUTCH	65	3391507	SHIM, BOOM END
10	3391730	WASHER, SEAL, DATA	38	3391737	HDW WASHER, THRUST	66	3392013	BOOM END, NEW
11	3391220	HARNES, COMM	39	9010280	HDW BEARING, THRUST	67	3393485	SCREW-#10-24X1.75 PPHMS S
12	3391223	HARNES, RF ANTENNA	40	3395634	DECAL- SIDE, BLACK	68	3393124	NUT-#10-32 NYLOK 18-8 SS
13	1234002	HDW INSERT SS PRESS 1/4IN	41	3395711	DECAL-PIC TS	69	2303412	SCREW-#6-20 X 5/8 SELF TAP
14	3393426	SCREW-#6-32x3/8,TRIM'D HEX CAP	42	2998905	CNN ASY, SWIVEL BASE	70	3390005	BEARING-NYLINER, #8L5-1/2-F
15	3398205	CIRCUIT BREAKER, 25 AMP	43	2249001	HDW KNB RELEASE PIN	71	9280720	HDW SCR 1/4 20X2 TRUSS HD PHIL
16	1221491	BOOT CIRCUIT BREAKER	44	3392600	PIN - RELEASE	72	9280713	HDW SCR 1/4 20X1 1/2 TRUSS HEA
17	3993220	ASSY, POWER CABLE, RETRO(SUB)	45	2287002	HDW SPRING RELEASE PIN	73	2263103	NUT-1/4-20 NYLOCK SS
18	3392920	STRAIN-RELIEF, HEYCO M4502	46	2267001	ASY PLATE BASE MACHINED	74	2371712	WASHER-FLAT 9/32 X 5/8 X 1/16
19	3996515	MOTOR/GEAR HOUSING ASSY	47	2267002	BRK PLATE SWIVEL	75	9100100	CON TERMINATOR
20	3393411	SCREW-FLANGE HEX HI-LO	48	3391919	PLATE, INDEX TS	76	9100101	CUSHION SLEEVE TERMINATOR
21	3394007	ASY PCA,DIGI-TRLL 5,5TS	49	2277001	HDW RETAINER RELEASE NUT	77	9100620	HDW SNAP SWIVEL 4/0-37 MARLIN
22	3390204	COVER, MOTOR, TS	50	9010004	HDW BEARING SWIVEL BASE	78	2200148	ASY SNAP & INSULATOR
23	401966-3	MIC VENT,PTFE LU LRA MATERIAL	51	3991930	ASY, MNT BASE DT/MAG	79	9040040	HDW BOLT 1/4-20 ROLLEDTHD HOOK
24	3396902	GASKET, COVER	52	3391955	BASE-MOUNT, DT PRO/MAG ST	80	3393461	SCREW-1/4-20 x 2" SS, PPH
25	3393480	SCREW-#10X.75"PPH HI-LO SS	53	3390101	KNOB-CANNON, SOFT GRIP	81	3390910	HANDLE-CRANK, MANUAL
26	3391907	PLATE, CLUTCH SHAFT	54	3393000	RING, RETAINING, 1/4" SHAFT	82	1459666	CERAMIC MAGNET
27	3392640	PIN, DRIVESHAFT	55	3991904	ASSY-CNN, ROD HOLDER	83	3393113	NUT, HEX, MINI-CON-X
28	3391711	PAD, CLUTCH	56	3394200	ARM, DUAL AXIS-ROD HOLDER	84	3391732	WASHER, SEALING

Digi-Troll 5 Series Wiring Diagram

