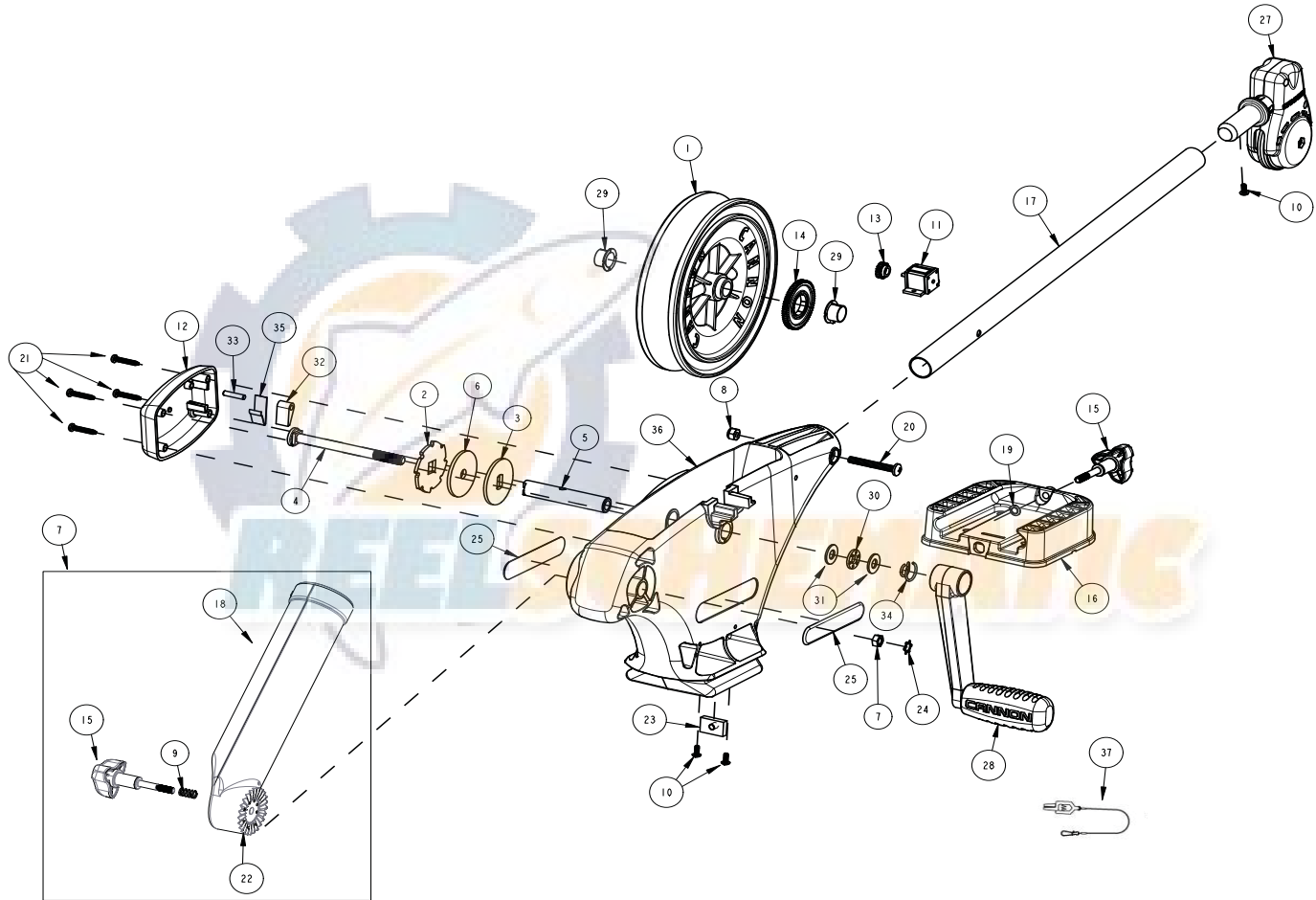


1901021 EASI-TROLL ST / E



1901021 EASI-TROLL ST / E

| | | | | | | | | |
|----|---------|----------------------------------------|----|---------|------------------------------------|----|----------|--------------------------------|
| 1 | 3397904 | REEL ROUGH | 16 | 3391955 | BASE-MOUNT, MAG ST | 31 | 3391737 | WASHER THRUST, 17-7 SS (qty:2) |
| 2 | 3391995 | PLATE-RATCHET BRAKE | 17 | 3392017 | BOOM, MANUAL, DOWNRIGGER | 32 | 9100160 | DOG RATCHET |
| 3 | 3391990 | PLATE - CLUTCH/BRAKE REEL | 18 | 3392033 | TUBE, DUAL AXIS RD HLDR | 33 | 9250003 | HDW PIN 3/16 X 7/8 DOWEL |
| 4 | 1000904 | ASY SHAFT RATCHET UT6 | 19 | 3393000 | RING, RETAINING, 1/4" SHAFT | 34 | 9400040 | HDW SPRING CRANK |
| 5 | 1080001 | SHAFT REEL ET/UT | 20 | 3393461 | SCREW-1/4-20 X 2" SS, PPH | 35 | 9400070 | HDW SPRING DOG |
| 6 | 3391710 | PAD-CLUTCH | 21 | 3393480 | SCREW-#10-1" PPH HI-LO SS (qty: 4) | 36 | 3392540 | FRAME, MANUAL DR, BLACK |
| 7 | 3391906 | ASSY-CNN, ROD HOLDER, ET | 22 | 3392033 | ROD HOLDER, DUAL AXIS SLEEVE | 37 | 2277002A | LINE RELEASE |
| 8 | 2263103 | NUT-1/4-20 NYLOCK SS | 23 | 3394702 | INSERT, BASE, LO-PRO | * | 2294894 | BAG ASSEMBLY |
| 9 | 2287002 | HDW SPRING RELEASE PIN | 24 | 3394722 | INSERT, PUSH ON | | | |
| 10 | 2373450 | SCREW-#8-18 X 3/8" THRD CUT SS (qty:3) | 25 | 3395634 | DECAL-SIDE, BLACK | | | |
| 11 | 3320011 | COUNTER 3 DIGIT (METRIC) | 26 | 3395906 | ADAPTER, BOOM END | | | |
| 12 | 3321001 | COVER-CLUTCH | 27 | 3990200 | ASSY-CNN, BOOM END | | | |
| 13 | 3392227 | GEAR COUNTER (METRIC) | 28 | 3994210 | CRANK ARM/HANDLE ASM | | | |
| 14 | 3392226 | GEAR REEL (METRIC) | 29 | 9010001 | BEARING NYLINER | | | |
| 15 | 3390101 | KNOB-CANNON, SOFT GRIP (qty:2) | 30 | 9010280 | HDW BEARING, THRUST | | | |

*bag assembly not shown in diagram