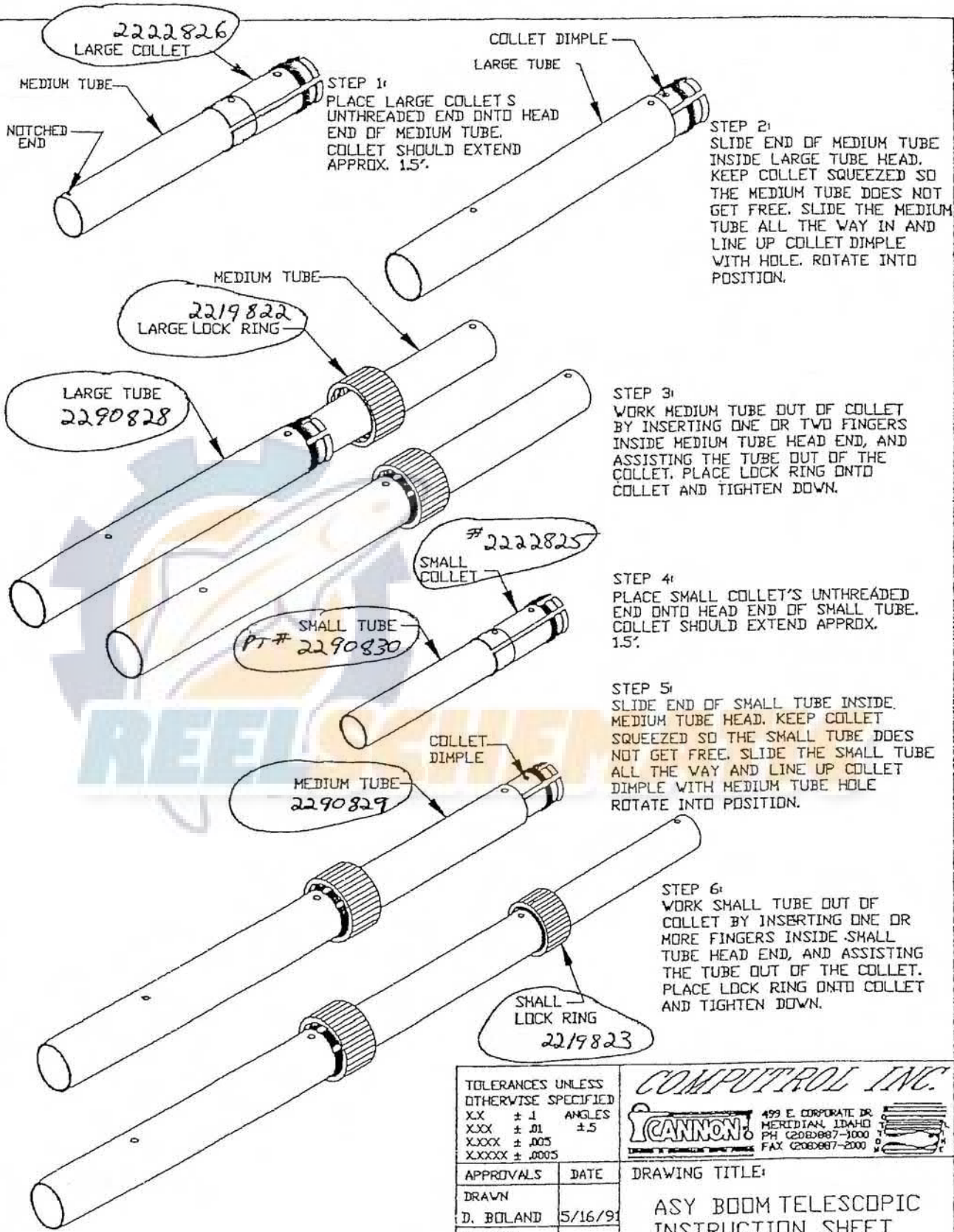


FILE OF MATERIAL		
ITEM	QTY	DESCRIPTION
1	1	ASSEMBLY KIT TELESCOPIC
1	1	MARKER BODY BLACK TELE. MCV
2	1	MARKER BODY BLACK TELE. MCV
3	1	MARKER BODY BLACK TELE. MCV
4	1	MARKER BODY BLACK TELE. MCV
5	1	MARKER BODY BLACK TELE. MCV
6	1	MARKER BODY BLACK TELE. MCV
7	1	MARKER BODY BLACK TELE. MCV
8	1	MARKER BODY BLACK TELE. MCV
9	1	MARKER BODY BLACK TELE. MCV

SCHEMATIC

REV	DATE	BY	CHK	DESCRIPTION
1				ASSEMBLY KIT TELESCOPIC



2222826
LARGE COLLET

MEDIUM TUBE

NOTCHED END

STEP 1:
PLACE LARGE COLLET'S
UNTHREADED END ONTO HEAD
END OF MEDIUM TUBE.
COLLET SHOULD EXTEND
APPROX. 1.5".

COLLET DIMPLE

LARGE TUBE

STEP 2:
SLIDE END OF MEDIUM TUBE
INSIDE LARGE TUBE HEAD.
KEEP COLLET SQUEEZED SO
THE MEDIUM TUBE DOES NOT
GET FREE. SLIDE THE MEDIUM
TUBE ALL THE WAY IN AND
LINE UP COLLET DIMPLE
WITH HOLE. ROTATE INTO
POSITION.

MEDIUM TUBE

2219822
LARGE LOCK RING

LARGE TUBE
2290828

2222825
SMALL COLLET

SMALL TUBE
PT # 2290830

STEP 3:
WORK MEDIUM TUBE OUT OF COLLET
BY INSERTING ONE OR TWO FINGERS
INSIDE MEDIUM TUBE HEAD END, AND
ASSISTING THE TUBE OUT OF THE
COLLET. PLACE LOCK RING ONTO
COLLET AND TIGHTEN DOWN.

STEP 4:
PLACE SMALL COLLET'S UNTHREADED
END ONTO HEAD END OF SMALL TUBE.
COLLET SHOULD EXTEND APPROX.
1.5".

MEDIUM TUBE
2290829

COLLET DIMPLE

STEP 5:
SLIDE END OF SMALL TUBE INSIDE
MEDIUM TUBE HEAD. KEEP COLLET
SQUEEZED SO THE SMALL TUBE DOES
NOT GET FREE. SLIDE THE SMALL TUBE
ALL THE WAY AND LINE UP COLLET
DIMPLE WITH MEDIUM TUBE HOLE
ROTATE INTO POSITION.

SMALL LOCK RING
2219823

STEP 6:
WORK SMALL TUBE OUT OF
COLLET BY INSERTING ONE OR
MORE FINGERS INSIDE SMALL
TUBE HEAD END, AND ASSISTING
THE TUBE OUT OF THE COLLET.
PLACE LOCK RING ONTO COLLET
AND TIGHTEN DOWN.

TOLERANCES UNLESS OTHERWISE SPECIFIED		COMPUTROL INC.	
XX	± .1	ANGLES	± .5
X.XX	± .01		
X.XXX	± .005		
X.XXXX	± .0005		
APPROVALS	DATE	DRAWING TITLE:	
DRAWN		ASY BOOM TELESCOPIC	
D. BOLAND	5/16/91	INSTRUCTION SHEET	
CHECKED			
ENG.	SCALE	SIZE	DRAWING NO.
R. NIEVENHUIS		A	
DO NOT SCALE DWG. UNITS: INCHES		FILE:	SHEET 1 OF 1

499 E. CORPORATE DR.
MERIDIAN, IDAHO
PH (208)887-1000
FAX (208)887-2000