

(1ST)

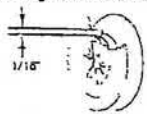
MARLIN ELECTRIC (MAG 10 w/short stop)

How the Short Stop System Works

The Short Stop electronic unit is capable of sensing the instant when the cable clears the water; it then turns off the downrigger while your trolling weight is still in the water to eliminate cable strain caused by excessive bouncing.

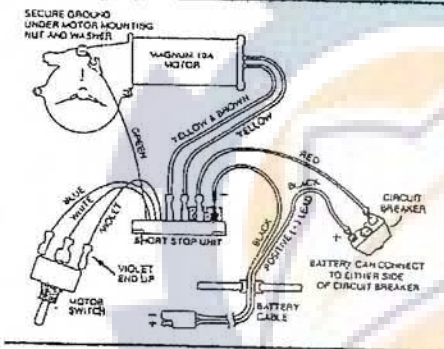
The two critical elements to accomplish this, other than the Short Stop unit itself, are the conductive rubber cable contact that completes the electrical circuit from the Short Stop to the cable, and the trolling weight insulator which enables the motor to stop with the weight still in the water.

NOTE — When changing cable be sure only a sixteenth of an inch (1/16") of the conductive rubber contact is extending above the hub. This ensures that it is touching the set screw at bottom of hole and will complete the circuit when cable is re-wound.



The Short Stop System includes:

- 1 Short Stop Electronic Unit 2200924
- 2 Insulators with Clip Assembly C2751
- 3-Peason Motor Switch C2745
- Conductive Rubber Cable Contact C2745



Operating Your Short Stop Downrigger

Raising Weight. Push motor switch upward momentarily and release. Downrigger will raise weight until it reaches surface of water then automatically stop.

If you want to raise weight further, after it stops, push switch upward and hold it until weight reaches desired position, then release.

To stop weight during ascent push motor switch downward momentarily and release.

Lowering Weight. Push motor switch downward and hold it until weight reaches desired depth then release.

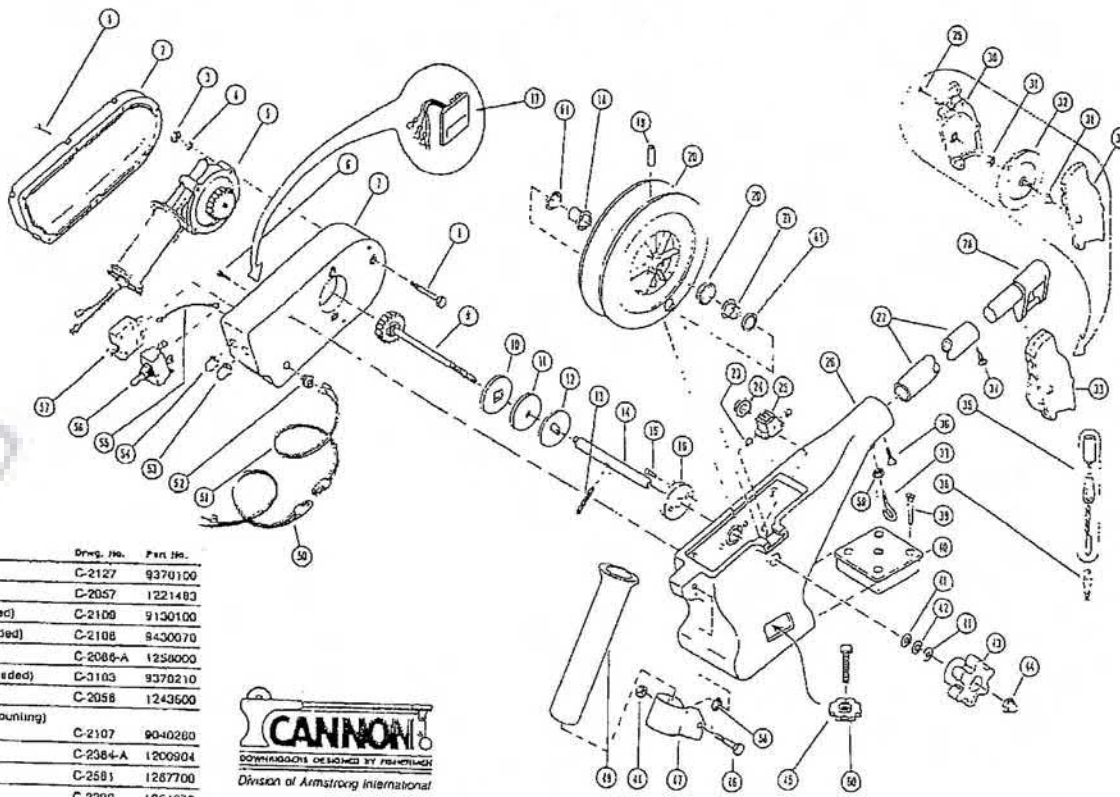
Trouble Shooting

Problem: Up or down will not work.
Solution: Check battery polarity.

Problem: Unit runs down when pushing switch up.
Solution: A. Be sure violet wire is on top side of switch.
B. If problem still exists, interchange yellow/brown and yellow wires on short stop module.

Problem: Unit fails to continue running up after pressing up switch, while cable is still in water.

Solution: A. Check green wire connection.
B. Boat must have ground (negative from battery) to water; through engine drive; lower unit or metal boat.
C. Check for properly installed conductive rubber.



Key No.	Part Name	Drawg. No.	Part No.
1.	Screw — motor cover (7 needed)	C-2127	9370100
2.	Cover — motor	C-2057	1221483
3.	Nut 1/4-20 hex (motor bolt 3 needed)	C-2109	9130100
4.	Washer 1/4 lock (motor bolt 3 needed)	C-2108	8430070
5.	Motor and gear unit assembly	C-2086-A	1258000
6.	Screw 1/4 x 1" wash hx. hd. (3 needed)	C-3103	9370210
7.	Housing — motor	C-2058	1243600
8.	Bolt 1/4-20 x 2 1/4 hx. hd. (motor mounting) (3 needed)	C-2107	9040280
9.	Shaft assembly — drive	C-2384-A	1200904
10.	Plate — clutch (for drive shaft)	C-2581	1267700
11.	Pad — clutch	C-2290	1264670
12.	Plate — clutch (for clutch shaft)	C-2273	1267701
13.	Screw 5/16-18 x 1" set (half dog point)	C-2285	9340130
14.	Shaft — reel	C-2377-1	1280755
15.	Screw #8 x 5/8 pan hd. phil.	C-2302	9370070
16.	Guide — motor housing	C-2373	1237583
17.	Short stop electronic unit	C-2722-A	2260924
18.	Bearing — shaft (motor side)	C-2639	9010040
19.	Plug — conductive rubber	C-2745	9070500
20 & 21.	Reel & gear assembly cable	C-2300-A	0274000
21.	Gear only — cable reel	C-2026	0233580
22.	Bearing — shaft (motor side)	C-2024	9010010
23.	Pad — tension (depth motor 2 needed)	C-2083	0854854
24.	Gear only — depth meter	C-2027	0833561
24 & 25.	Water assembly — depth	C-2716-A	0220126
26.	Body (black)	C-2721-B	0800530
27.	Boom for 18 inch	C-2912	2290017
	42 inch	C-2913	2290018
	66 inch	C-2014	2290819
27 & 28.	Boom & head assembly 18 inch	C-2710-AK	2250364
	42 inch	C-2711-AK	2250366
	66 inch	C-2712-AK	2250368
28.	Head — boom	C-2701	2216403
29.	Screw #4 x 1/2 pan hd. (swivel head 8 needed)	C-2184	9370010



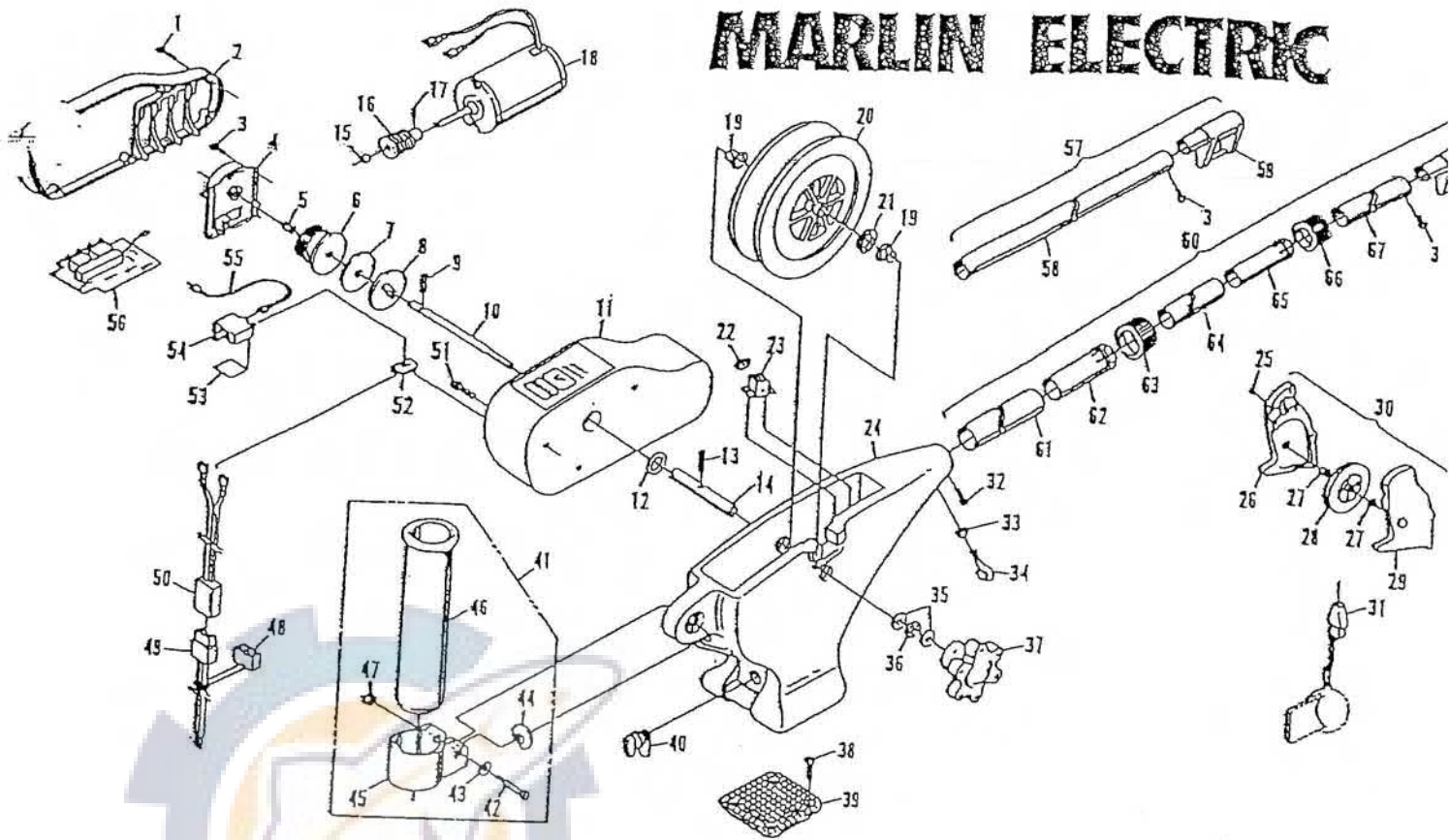
Key No.	Part Name	Drawg. No.	Part No.
30.	Plate — side (left)	C-2039-L	0230545
	Plate — side (right)	C-2039-R	0230546
31.	Bearing — pulley wheel (2 needed)	C-2042	9010070
32.	Pulley wheel — swivel head	C-2353	0269726
33.	Swivel head assembly	C-2043-AK	2250135
34.	Screw #8 x 5/8 pan hd.	C-2382	9370070
35.	Cushion swivel kit	C-2191-AK	2250140
38.	Screw 1/4-20 x 3/4 rd. hd. phil.	C-2999	9280750
37.	Hook — ball 1/2-20 ind.	C-2526	9040040
38.	Insulator/snap fastener (short stop)	C-2781-A	2200148
39.	Screw 1/4-20 x 2" truss hd. (4 needed)	C-2760	9280720
40.	Base — mounting	C-2001-A	1007334
41.	Race — thrust bearing (2 needed)	C-2890	9010310
42.	Bearing thrust	C-2668	9010280
43.	Knob — clutch	C-2386-A	1249915
44.	Nut — acorn	C-2013	9130330
45.	Knob — base lock	C-2485	0849615
46.	Bolt 5/16-18 x 1 1/4 hex hd (rod holder)	C-2034	9040310
47.	Clamp — rod holder	C-2183-1	2419470
48.	Nut 5/16-18 hex (rod holder clamp)	C-2240	9130100
49.	Tube — rod holder	C-2033	0280796
50.	Cable — battery end	C-2101-A	1215392

Key No.	Part Name	Drawg. No.	Part No.
51.	Cable — motor end	C-2125-A	1
52.	Grommet — strain relief	C-2128	1
53.	Boot — motor switch	C-2229-K	2
54.	Boot — circuit breaker	C-2185-K	2
55.	Wire — switch connecting	C-2102	1
56.	Switch — control	C-2765	2
57.	Circuit — breaker	C-2113-K	2
58.	Washer 3/8 star (rod holder clamp)	C-2348	8
59.	Nut 1/4-20 hex (ball hook locking)	C-2109	8
60.	Bolt 3/8-16 x 1 1/4 hex hd.	C-2004	8
61.	Washer — nylon (2 needed)	C-2875	8

* Caution: Use truss head screw only.
(4" truss head screw accessory no. C-2778-AK; 2250154)
All Cannon downriggers are covered by U.S. Pat. D-269,992
Copyright 1986, S & K Products, Inc. All rights reserved.
Made in U.S.A. Form No. 12B1050

CANNON / S & K Products, Inc.
1732 Glade Street
Muskegon, Michigan 49441

MARLIN ELECTRIC



Key No.	Part Name	Part No.
1.	Screw #8 x 7/8 Pan Hd. (6 needed)	9370002
2.	Cover — Motor Housing	1421070
3.	Screw #8 x 5/8 Pan Hd. (5 needed)	9370070
4.	Cover — Gear Case	1421071
5.	Bearing — Drive Shaft	9010003
6.	Gear & Driver — Worm	1433070
7.	Pad — Clutch	1284670
8.	Plate — Clutch	0467695
9.	Pin 3/16 x 1 Flat	9250002
10.	Shaft — Drive	1480070
11.	Housing Assembly — Motor	4443002
12.	Seal "O" Ring	1479070
13.	Screw 5/16-18 x 1 Set (Half Dog)	9340130
14.	Shell — Reel	1480071
15.	Bearing — Motor Shaft	9010002
16.	Worm	1497070
17.	Pin 3/32 x 3/4 Flat	9250001
18.	Motor 12 Volt D.C.	1458001
19.*	Bearing — Mylar Keyed (2 needed)	9010001
20.	Reel Assembly	0274000
21.	Gear (Only) Reel	0233560
22.	Gear (Only) Counter	0833561
23.	Motor Assembly — Depth	0220126
	Frame — Main (Mid Size)	3330002
	Screw #4 x 1/2 Pan Hd (2 needed)	9370010

Key No.	Part Name	Part No.
26.	Plate — Side (Left)	0267002
27.	Bearing — Brass (2 needed)	9010070
28.*	Pulley — Cable	0269726
29.	Plate — Side (Right)	0267001
30.	Hood Assembly — Sintrol (Packaged)	2250135
	Hood Assembly — Sintrol (Unpackaged)	0200135
31.	Terminator (Pkg.)	2250141
32.	Screw 1/4-20 x 3/4 Pan Hd.	9290750
33.	Nut 1/4-20 Hex	9130100
34.	Hook — Bolt (1/4-20 threaded)	9040040
35.	Flange — Bearing (2 needed)	9010310
36.*	Bearing — Thrust	9010280
37.	Knob — Assembly	0649002
38.	Screw 1/4-20 x 1 Truss Hd. (4 needed)	9280711
39.	Base — Mounting (Low Profile)	3307002
40.	Latch 1/4 Turn	3356001

ROD HOLDER ASSEMBLY (OPTIONAL)

41.	Rod Holder Assembly Positive Lock (Pkg.)	2450005
42.	Bolt 5/16-18 x 1-3/4 Hex Hd.	9040310
43.	Washer 5/16 Flat	9430101
44.	Disk — Rod Holder Locking	3325001
45.	Clamp — Rod Holder w/Square	3319001
46.	Tube — Rod Holder	0290796
47.	Nut 5/16-18 Hex	9130180

Key No.	Part Name	Part No.
48.	Cap — Power Cable	1416070
49.	Cable Assembly — Battery	1415072
50.	Cable Assembly — Motor	1415070
51.	Screw 1/4 x 3/4 Hex Wash Hd. (3 needed)	9370205
52.	Grommet — Power Cord	1435070
53.	Tape — Double Faced	9070578
54.	Circuit Breaker	1412070
55.	Wire — Jumper	1496070
56.	Short Stop Assembly	4413001

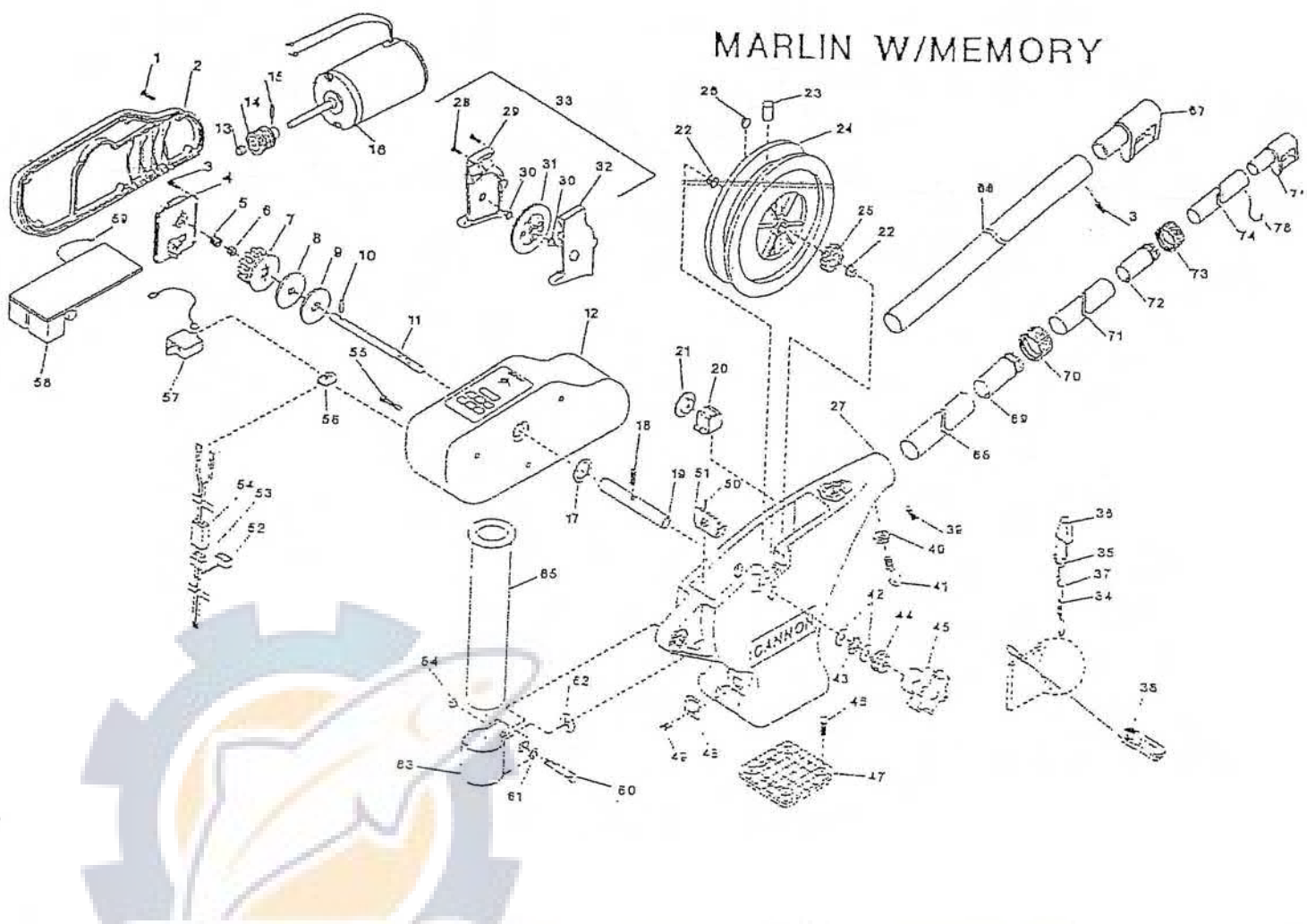
BOOM ASSEMBLY 2 FT. (OPTIONAL)

57.	Boom Assembly 2 Ft. (Pkg.)	2250364
58.	Boom 2 Ft.	2290817
59.	End — Boom	2216403

BOOM ASSEMBLY TELESCOPIC (OPTIONAL)

60.	Boom Assembly Telescopic (Pkg.)	2210820
61.	Tube — Boom Base	2290828
62.	Collet — Base Tube	2222820
63.	Clamp — Base Tube	2219820
64.	Tube — Boom Intermediate	2290829
65.	Collet — Intermediate Tube	2222821
66.	Clamp — Intermediate Tube	2219821
67.	Tube — Boom End	2290830
68.	End — Boom	2227820
69.	Cable Replacement 200 Ft.	2215396

MARLIN W/MEMORY



Key No.	Part Name	Part No.
1.	Screw #3 x 7/8 Pan Hd. (6 needed)	9370100
2.	Cover - Motor Housing	1421070
3.	Screw #3 x 5/8 Pan Hd. (4 needed)	9370070
4.	Cover - Gear Case	4421002
5.	Spring - Contact Shortstop	9400003
6.	Bearing Nyliner - Drive Shaft	9010003
7.	Gear & Driver - Worm	1433074
8.	Pad - Clutch	1264670
9.	Plate - Clutch	0467695
10.	Pin 3/16 x 1 Roll	9250092
11.	Shaft - Drive	1490070
12.	Housing Motor	1443070
13.	Bearing - Motor Shaft	9010002
14.	Worm	1497070
15.	Pin 3/32 x 3/4 Roll	9250001
16.	Motor - 12 Volt D.C.	1458001
17.	Seal - O'Ring	1479070
18.	Screw 5/16-18 x 1 Sat (Half Doz)	9340130
19.	Shaft - Reel	1280755
20.	Meter Assembly - Depth	0220477
21.	Gear (Only) Depth Meter	0833561
22.	Bearing - Nyliner keyed (2 needed)	9010001
23.	Plug - Conductive Rubber	9070500
24.	Reel Assembly	0274000
25.	Gear (Only) Reel	0233580
26.	Magnet Reel (2 needed)	1459666
27.	Frame - Main (Mid Size)	3330002

Key No.	Part Name	Part No.
28.	Screw #4 x 1/2 Pan Hd. (2 needed)	9370010
29.	Plate - Side (Left)	0267002
30.	Bearing - Brass (2 needed)	9010070
31.	Pulley - Cable	0269726
32.	Plate - Side (Right)	0267001
33.	Asy Swivel Head	0200135
34.	Spac and Insulator	2200148
35.	Con Terminator	9100100
36.	Cushion Sleeve Terminator	9100101
37.	Hdw Snap Swivel Marlin	9100620
38.	Asy Rel-Case-Pinch-R	2277007
39.	Screw 1/4-20 x 3/4 Pan Hd.	9280750
40.	Nut 1/4-20 Hex	9130100
41.	Hook - Ball (1/4-20 thread)	9040040
42.	Race - Bearing	9010310
43.	Bearing - Thrust	9010260
44.	Hdw Nut Knurled 3/8-24 LH Thd	9130399
45.	Hdw Knob Brake Adjust	0649001
46.	Screw 1/4-20 x 1 Truss Hd. (4 needed)	9280711
47.	Base - Mounting (Low Profile)	3307002
48.	Hdw Knob - Snap Latch	3358052
49.	Screw #4 x 1/2 Pan Hd. Phil (2 needed)	9370010
50.	Spring - Snap Latch	9400050
51.	Latch - Snap	3358050
52.	Cap - Power Cable	1416070
53.	Cable Assembly - Battery	1415072
54.	Cable Assembly - Motor	1415071

Key No.	Part Name	Part No.
55.	Screw 1/4 x 3/4 Hex Wash (3 needed)	9370205
56.	Grommet - Power Cord	1435070
57.	Circuit Breaker	1412070
58.	Short Stop Assembly	050008
59.	Connector - Brass Sleeve	9100070

ROD HOLDER ASSEMBLY (OPTIONAL)		
60.	Bolt 5/16-18 x 1 3/4 Hex Hd.	9040210
61.	Washer 5/16 Flat	9430101
62.	Disk - Rod Holder Locking	3352001
63.	Clamp - Rod holder W/Square	3319003
64.	Nyl 5/16-18 Hex	9130190
65.	Tube - Rod Holder	0290796

BOOM ASSEMBLY 2 FT. (OPTIONAL)		
66.	Boom 2 Ft.	2250384
67.	End - Boom	2216403

BOOM ASSEMBLY TELESCOPIC (OPTIONAL)		
68.	Tube - Boom Base	2290825
69.	Collet - Base Tube	2222322
70.	Clamp - Base Tube	2219822
71.	Tube - Boom Intermediate	2290829
72.	Collet - Intermediate Tube	2222823
73.	Clamp - Intermediate Tube	2219823
74.	Tube - Boom End	2290830
75.	End - Boom	2227820
76.	Nylon Cable Tie	9070502