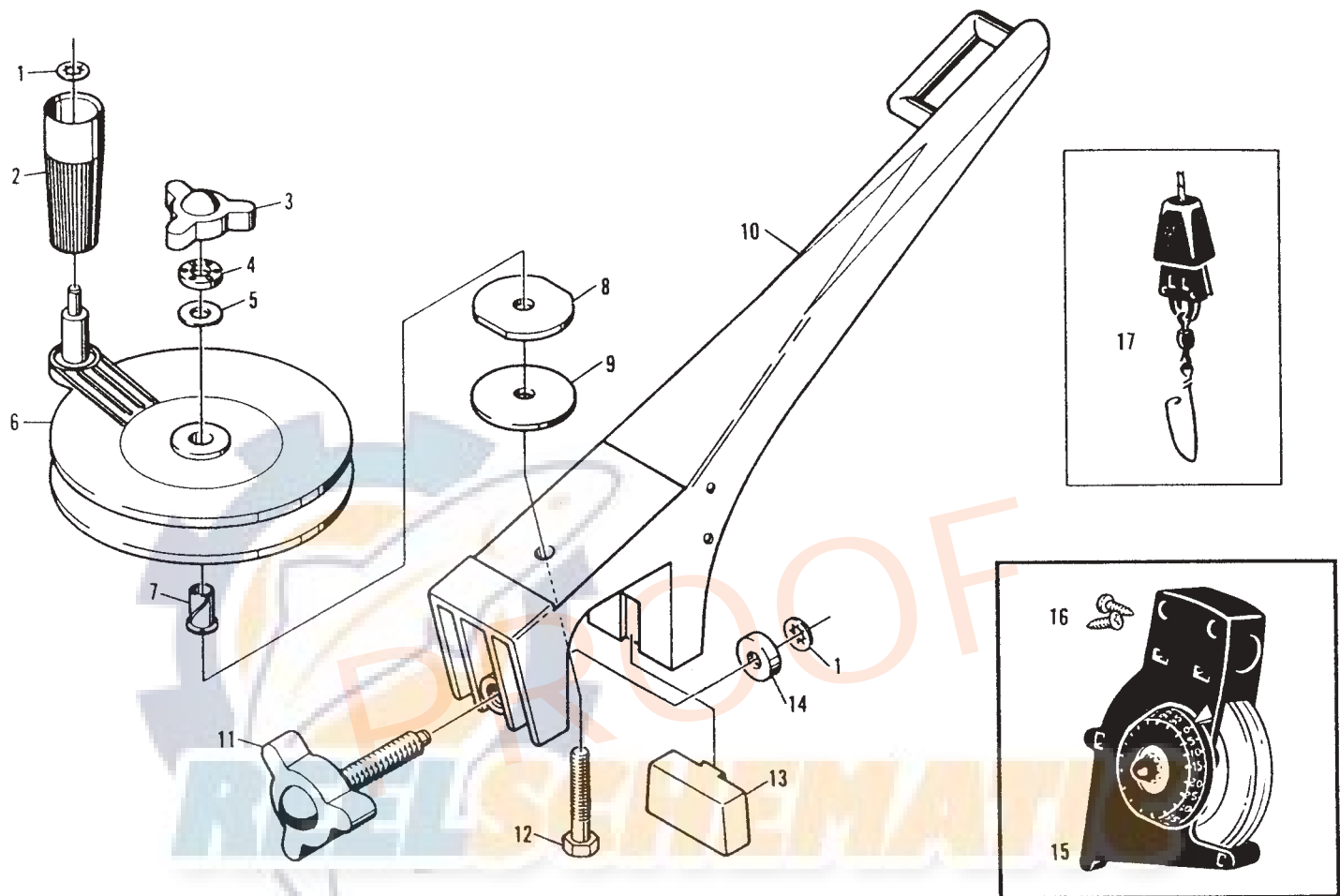


MINI-TROLL™



Key No.	Part Name	Part No.
1.	Ring — retaining push on (2 needed)	9100690
2.	Handle	0240591
3.	Knob assembly spool	0349002
4.	Bearing	9010280
5.	Race — bearing	9010310
6.	Spool — center	0387001
7.	Bearing — spool (nyliner)	9010512
8.	Plate - clutch	0367001
9.	Pad — clutch	1264670
10.	Frame — main	0330001
11.	Knob and shaft assembly	0349004

Key No.	Part Name	Part No.
12.	Bolt 3/8-24 x 2 hex cap	9040380
13.	Block — spacer	0309001
14.	Pad — clamp	9100010
15.	Swivel head assembly w/ counter package	2250003
16.	Screw #4 x 1/2 pan hd (2 needed)	9370010
17.	Terminator (package)	2250141

CANNON

Form No. 9810001 Rev. 11/89

MINI-TROLL™

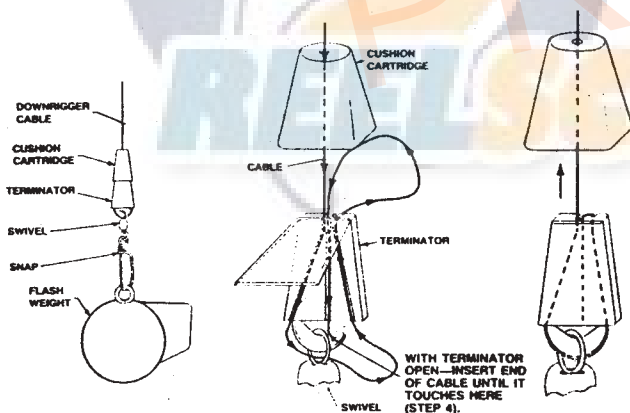
CANNON downriggers are designed and built with careful attention to detail, using the best materials obtainable. When a downrigger leaves our plant, we know it's a fine operating fishing tool.

These instructions are intended to help you get the best possible service from your CANNON downrigger.

CAUTION: Remove weight from downrigger before traveling either by water or transporting on trailer.

Terminator Instructions:

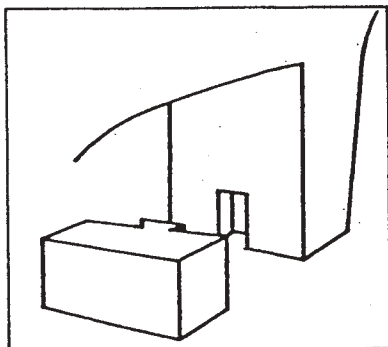
- Step 1. Thread cable through cushion cartridge.
- Step 2. Insert swivel onto terminator.
- Step 3. Guide cable through terminator as shown.
- Step 4. With terminator open — insert end of cable until it touches here (see diagram below).
- Step 5. To snap terminator closed, squeeze terminator tightly until it snaps.
- Step 6. Snug cable by pulling tight after closing.
- Step 7. Slip cushion cartridge over terminator.



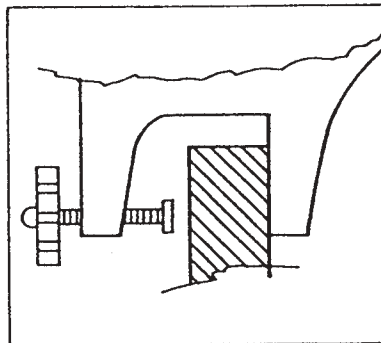
Setting Up Your Downrigger

Depending on boat application, the spacer block (supplied) may be required.

Attaching spacer block to main frame: the dovetail on the block is a wedge fit into the main frame. Holes in the block should face down.



Mounting Downrigger To Boat



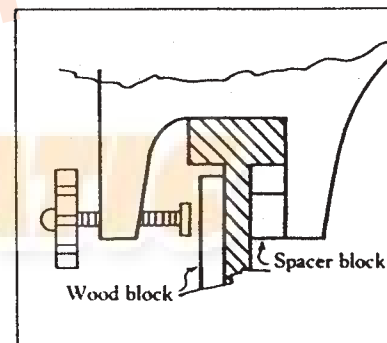
Transom Mount

Depending on transom width, a wood block may be required to allow the rigger to clamp properly.

Gunwale Mount

On thin-walled aluminum boats, it is recommended that a wood block is used on the inside of the boat. This will distribute the clamping force to a larger area to prevent possible boat damage.

Depending on rail overhang, a wood block may also be required on the outside of the boat.



Maintaining Your Downrigger

Freshwater Operation

At the beginning of each fishing season, place one drop of oil on: 1) cable reel shaft; 2) swivel head pulley bearings; and 3) cable reel thrust bearing.

Saltwater Operation

Clean unit thoroughly after each trip and lubricate as above on a more frequent basis.

Accessory

Mini-Troll Accessory Pack

Part No. 2250005

Contains rod holder assembly, 4# weight and line release.